



CAR PLAYER

Affcf @b_

User Manual

SPECIFICATION

Name	Specification
Work voltage:	10.8V~16V
Work current:	maximum 10A
Work temperature:	-20°C ~ +60°C
Storage temperature:	-20°C ~ +70°C
Video system:	AUTO/PAL NTSC Speaker
Tuning mode:	digital tuning
Screen size:	7 inches
Instillation size:	178(d) x100(w)x64(h)mm
Weight:	0.48KG

Name	Functional parameter
Radio frequency:	FM:87.5-108MHz AM:522-1620KHz(EU)
Radio frequency:	FM:87.5-107.9MHz AM:530-1710KHz (US)
Stored station:	FM18 /AM12
Search mode:	automatic and manual
Degree of distortion:	0.5%

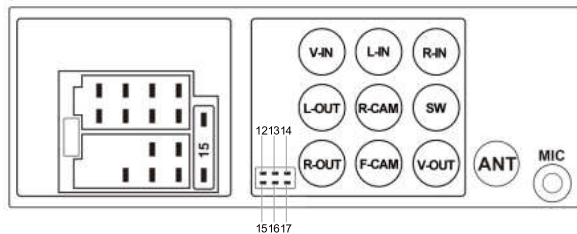
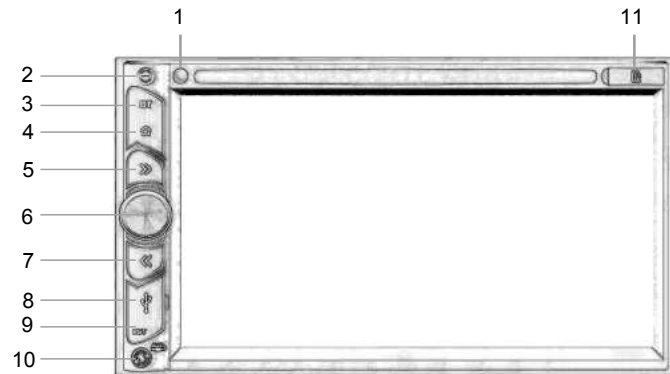
Name	Specification
Test voltage:	14.4V
SNR:	55dB

CONTENTS

Description of the function buttons.....	01
Instruction for wiring.....	02
Installation.....	03
Main unit operation.....	04
Remote handset-general operation.....	05
Main menu operation.....	08
Setup operation.....	09
Radio operation.....	10
Bluetooth operation.....	11
Phone link.....	12
Trouble shooting.....	14
Specification.....	15

DESCRIPTION OF THE FUNCTION BUTTONS

This is a general user manual for many models, so the UI, appearance and functions described in this manual may differ from the product you have, please refer to the actual product.



SIMPLE TROUBLE SHOOTING

PROBLEMS, CAUSES & SOLUTIONS

No power

- Check and make sure the connecting wires are connected correctly
- Check whether the fuse is blown. Replace with the proper value fuse if necessary.

No sound

- Check and make sure the speaker wires are connected correctly.

No picture

- Check whether the video wire is connected to the video device.

Unit hang-up

- Reset the unit to its default stage.

No function when pressing the buttons or TFT screen

- Reset the unit to its default stage.

Poor effect or unable to receive radio

- Check whether the radio antenna is inserted or properly connected.
- Antenna may not be the proper length. Make sure the antenna is fully extended.
- Antenna may be poorly grounded. Check and make sure the antenna is properly grounded.

Stereo cannot be received under radio mode

- Tune the radio frequency accurately.
- The broadcasting signal is too weak, set the mode to MONO.

Remote handset does not work

- Replace new battery of the remote handset.
- Point the remote handset directly at the remote sensor of the main unit.
- Clean the surface of the remote sensor.

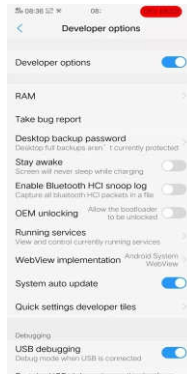
Bluetooth not operated

- check the devices are linked up correctly.

Set the phone correctly:

- SETTINGS menu/ Developer options/ USB debugging/USB CONNECTION:ON (enable!)
- Below the previous menu item:USB TROUBLESHOOTING RELEVANT PERMITS:ON (enable!)

- This question usually automatically appears on the phone's opening screen or on its scrollable informational window after connecting the USB cable.Allow it to be permanently,so that it does not need to be repeated after each connection!
- It is recommended to have the screen lock switched off for easier operation or to set an unlocking mode on the phone, which is easier even from the car radio.



Android screen mirroring is only available if the **AUTOLINK** application is installed and the USB troubleshooting mode, as well as sharing data security setting is permitted on the phone. Unlock the screen lock on the phone and connect the phone's cable to hte radio's USB socket. If the connection process does not happen automatically, touch the **CONNECT PHONE** (connect phone) button on the car radio screen. When a successful connection is made the image of the mobile phone immediately appears on the screen.

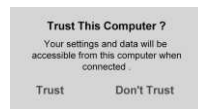
In case of connection failure:

- Verify that AUTOLINK is installed on your phone
- Try another USB connection cable
- Restart your phone and check developer,USB connection settings,and data sharing permissions
- Verify that your Android phone is suitable for such use (Android 5.0 and newer, with Mirror Link compatibility)


- If the image does not rotate when the phone is rotated, then check if the image-rotation is permitted in the scrollable menu. You can do this with local controller menu, which appears after tapping the white, unlabeled button on the car radio's left side.
- The picture is transmitted via the USB cable to the car radio while the sound is over the wireless BT connection. Meanwhile,the phone battery is charging.
- The USB cable must have a data transfer function in addition to the charging function.In general,the cable supplied with your phone is good

Iphone Mirror Link:

Pls connect your phone to headunit via USB cable , then a window will pop on your mobile phone, choose"Trust" to realize Phone link function.



Description of Phone Link Menu:

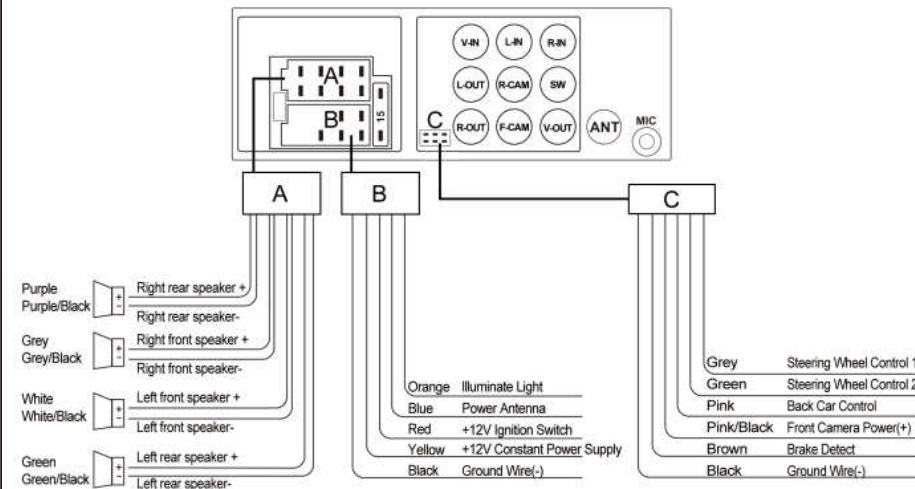
1) When the Phone Link has been connected successfully, you'll see . Press it and you'll

see some menu. You can close the Phone Link menu by clicking areas outside the menu.

1.	IR sensor
2.	microphone
3.	Bluetooth interface
4.	main menu/back
5.	Next track/manual tuning forward
6.	on/off/volume
7.	Previous track/manual tuning backward
8.	USB socket
9.	Reset
10.	AUX input
11.	Mini SD card slot
12.	Front camera(B+)
13.	Brake detect

14.	Back car control
15.	Steering wheel 1
16.	Steering wheel 2
17.	GND
V-IN	Video input
L-IN	Auxiliary left speaker input
R-IN	Auxiliary right speaker input
L-OUT	Rear left speaker output
R-CAM	Back sight camera input
SW	Sub-woofer output
R-OUT	Rear right speaker output
F-CAM	Front camera input
V-OUT	Video output
ANT	Radio antenna
MIC	Extrapolation MIC(optional)

INSTRUCTION FOR WIRING



IMPORTANT NOTICE & PRECAUTIONS

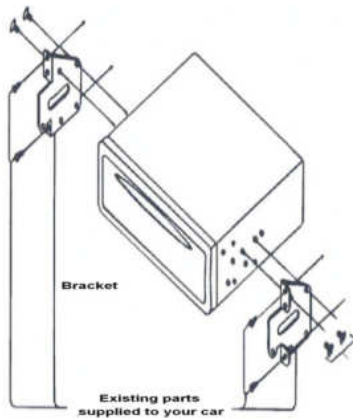
Thank you for using our company multi-media player! To operate the unit correctly, please read the operation manual carefully before using. Keep this operation manual for further reference.

The unit is designed only for DC 12V negative ground operation system. Make sure your vehicle is connected to DC 12V negative ground operation system. Be sure to connect the speaker(-) leads to the speaker(-) terminal. Never connect the left and right channel speaker wires together or to the vehicle body.

The normal temperature for operation is between -20 and +60 degree Celsius. Do not work in extreme high or low temperature and lock vents or radiator panels of the unit, blocking them will cause heat to build up inside the unit and may cause damage or fire.

This unit can play the following media files: 1080p / RMVB / MPEG 4 / MP3 / WMA / JPEG.

INSTALLATION



Notes:

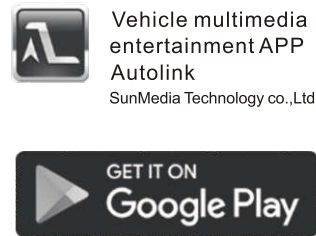
- Installation varies on type of cars and supplied parts
- Store small articles in places not accessible to children
- Install only with the supplied screws
- Installation of unit by professional technician is strongly recommended

DISPLAY MIRRORING-ANDROID MIRROR LINK

The special feature of the device is to display the image of a mobile phone which is connected with USB cable and which has Android operational system on the large touchscreen as a secondary display. All applications on your mobile phone are displayed in portrait or landscape format, depending on the position of the phone, and can be controlled from the radio's touch screen without touching the phone. For example, music, movies, and other content, as well as internet radio, maps, navigation applications, POI databases, or music from the phone's memory or online.

First, make sure that you have a "QR Code" reader application on your phone. If you have not, install a free version from the Google Play app store.

Then select **PHONE LINK** from the main menu. Two QR codes and some instructions will appear on the screen. Download the **AUTOLINK** application to install on your phone:



„**AMAZON**“ QR code link; free download directly from the website to the phone:
<https://s3-ap-southeast-1.amazonaws.com/productscenter/release/venus/bootes/common/Autolink.apk>
http://www.autolink.site:8080/jeesite//static/apk/Autolink_basic.apk
„**GOOGLE**“ QR code link; free download from Google Play store
<https://play.google.com/store/apps/details?id=com.link.autolink>
As the third option, you can locate and install the **AUTOLINK** application with the logo above manually from the Google Play store.

- Download a file directly from the website to your phone and install the application independently of the store, such as the „**AMAZON**“ link.

After installing the application, connect the phone with a USB data cable.


- Instructions on the screen:
CONNECT PHONE:
1. OPEN USB DEBUGGING
2. CONNECT USB LINE

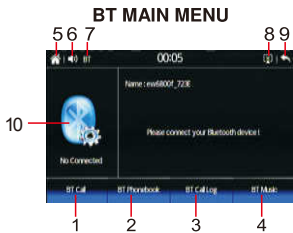
ON SCREEN – BLUETOOTH OPERATION

LINK UP WITH MOBILE PHONE

To linkup Bluetooth connection with the mobile phone, take your phone and follow the steps:

- set the mobile phone to Bluetooth state
- start to search new device
- after searched, new device "CAR BT" searched out, confirm the search
- in case of need, input default code "0000" or "8888" in the mobile phone
- at the same time, Bluetooth icon on screen will be highlighted
- connection succeeded and you can start using Bluetooth function

 At **MAIN MENU**, touch to shift screen to **BT MAIN MENU** for Bluetooth operation (when a mobile phone has been linked up with the unit).


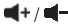




1. Touch to shift to **BT MAIN MENU** for dial out of phone.
2. Touch to shift to **BT PHONE BOOK MENU** to show the phone book of the connected mobile phone.
3. Touch to shift to **BT RECORD MENU** to show the record on incoming calls / dial out numbers / missing calls of the connected mobile phone.
4. Touch to shift to **BT MUSIC MENU** for transmission of music playback from the connected mobile phone.
5. Touch to shift screen to **MAIN MENU**.
6. Touch to activate the volume control bar on screen, hold & slide to adjust the output level on volume.
7. Touch to start Bluetooth operation (when a mobile phone linked up with the unit and this icon high-lighted).
8. Touch repeatedly to select brightness of screen or turn off the screen. When the screen is off, touch any portion of the screen to turn it on again
9. Touch to shift to previous menu or operation mode.
10. a. In the BT CALL menu, click the icon to disconnect the Bluetooth; click again to enter the Bluetooth setup menu.
b. In the BT PHONE BOOK menu, click the icon to load phone book; click again to cancel the load.
c. In the BT CALL LOG menu, click the icon to load call log; click again to cancel the load.
d. In the BT MUSIC menu, click the icon to play the music; click again to pause the play.

MAIN UNIT OPERATION

Symbol / Function

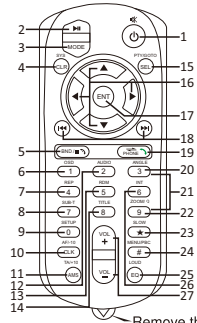
Operations & Controls

RES / RST	Press with a pointed object (such as a ball point) to reset the unit to its initial setting by the factory (default stage).
 / POWER	When the unit is turned off, press to turn on the unit. When the unit is turned on, press & hold shortly to turn off the unit.
M/N / MENU	Press to shift screen between MAIN MENU & current operation mode.
 / VOL+ / VOL-	press repeatedly to adjust sound output level.
MUTE / 	Press to turn on or off of sound mute control.
IR	Remote control sensor for signal reception from remote handset.
AUX	Insert an external device to this jack in order to have sound output of that external device through the unit.
USB	Insert USB device to this slot for digital files playback.
MICRO SD / SD / MINI SD / 	Insert micro SD card to this port for digital files playback.
MIC	For voice reception under Bluetooth operation.
TFT SCREEN	It shows the status of operation on the unit. This screen is also a touch display – soft touch the screen for different operations of unit (refer to other parts of this manual for operation details).

Note

The above mentioned symbols / functions / operations & controls show the operations for various version of the unit and may not be equipped or available for control in this unit. Printings and symbols on the above may be varied from the exact main unit. Referred to the main unit for exact functions and features that applied.

REMOTE HANDSET – GENERAL OPERATION



Remove this tab before using the remote handset

BATTERY REPLACEMENT

Refer to the back of remote handset for details on how to replace the battery.

NO. SYMBOL

- | NO. | SYMBOL | OPERATION & CONTROL MODES |
|-----|-----------|--|
| 1. | | OPERATION & CONTROL MODES
When the unit is turn off, press to turn on the unit.
When the unit is turn on, press & hold shortly to turn off the unit.
During unit operation, press to turn on or off of sound mute control |
| 2. | | At disc / USB / SD / input & Bluetooth mode, press to pause, resume or start playback. |
| 3. | MODE | Signal Source. |
| 4. | SYS / CLR | At Bluetooth mode, press to erase the digit input by error. |
| 5. | BND | Radio Mode
Press repeatedly to select the desired radio band for broadcasting.
Disc / USB / SD Input Mode
At playback mode, press to stop playback and shift to playlist for playback selection (depend on the input device, playlist may not be available).
Note: Not available for control at music playback mode
Bluetooth Mode
Press to hang up or refuse an incoming call. |
| 6. | OSD | At media playback mode, press & hold shortly to display the contents of the playback details on screen. (Note: Not available at music playback mode) |
| 7. | REP | At playback mode under disc / USB / SD input, each time press & hold shortly to activate various repeat playback setting. |
| 8. | SUB-T | Video Playback Mode
Each time press & hold shortly to select different sub-titles that recorded in the input device or media files. |
| 9. | SETUP | During unit operation, press & hold shortly to activate setup menu on screen for various setup of the unit. Press & hold shortly again to return to previous operation mode. (Note: Setup of unit cannot be operated by remote handset. Setup of unit can only be operated by touch screen – refer to ON SCREEN OPERATION for details) |

ON SCREEN – RADIO OPERATION



At **MAIN MENU**, touch to shift screen to **RADIO MENU** for radio operation.

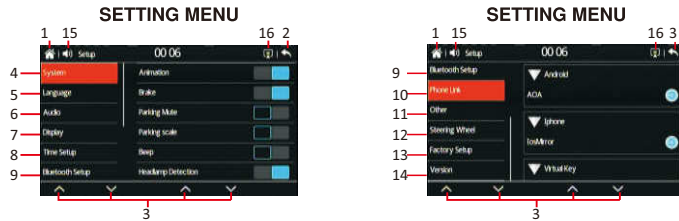


1. Touch to Select station with FM frequency.
2. Touch to Select station with AM frequency.
3. Touch to Search and save band automatically.
4. Touch to tune the radio frequency to upward or downward station for broadcasting.
Touch & hold shortly to activate manual tuning mode. At this mode, touch repeatedly to fine tune radio frequency upward or downward.
5. Touch to select stereo (STEREO) or mono (MONO) mode at FM radio band. When stereo signal received, ST indicator will be highlighted on screen and this is no indicator for mono signal.
6. Touch the desired preset station to start broadcasting.
Touch & hold shortly the desired preset station can store the current broadcasting station (frequency) into that station.
7. Touch repeatedly to select desired preset equalization mode.
8. Touch to activate the PRESET STATIONS MENU on screen.
9. Touch repeatedly to select brightness of screen or turn off the screen. When the screen is off, touch any portion of the screen to turn it on again
10. Touch to Touch to shift to previous menu or operation mode.
11. Touch to activate the volume control bar on screen, hold & slide to adjust the output level on volume.
12. Touch to shift screen to **MAIN MENU**.

ON SCREEN – SETUP OPERATIOPN



At **MAIN MENU**, touch to shift screen to **SETTING MENU** for various system setup of the unit.



Hold & slide up/down on screen to show the hidden **SETTING MENU** for various setup of the unit.

1. Touch to shift screen to **MAIN MENU**.
2. Touch to shift to previous menu or operation mode.
3. Touch to roll the page up and down.
4. Touch to shift to **SYSTEM SETUP MENU** for various system setting (Refer to SYSTEM SETUP).
5. Touch to activate LANGUAGE INTERFACE to select the desired system language on screen.
6. Touch to shift to **AUDIO SETUP MENU** for various audio setting (Refer to AUDIO SETUP).
7. Touch to shift to **VISUAL SETUP MENU** for various visual setting (brightness, contrast, hue, saturation, sharpness)
8. Touch to shift to **CALENDAR SETUP MENU** for calendar & clock setting (Refer to CALENDAR & CLOCK SETUP).
9. Touch to shift to **BLUETOOTH SETUP MENU** for various Bluetooth setting (Refer to BLUETOOTH SETUP).
10. Touch to shift to **PHONE LINK SETUP MENU** for relevant settings.
11. Touch to shift to access other relevant settings
12. Touch to shift to **SWC SETUP MENU** for steering wheel control setting (Refer to STEERING WHEEL CONTROL SETUP).
13. Touch to enter reset setup. At this mode, touch the arrow to reset the unit at its ex-factory default stage.
14. Touch to shift to **VERSION MENU** to show details of the unit (Refer to VERSION OF UNIT).
15. Touch to activate the volume control bar on screen, hold & slide to adjust the output level on volume.
16. Touch repeatedly to select brightness of screen or turn off the screen. When the screen is off, touch any portion of the screen to turn it on again


10. **AF/-10 /CLK** In the Radio mode of RDS, the frequency will adjust automatically. When playing MP3, press and hold to enter track selection, briefly press to set the CLOCK.
11. **TA/+10 /AMS** In the Radio mode, briefly press for auto search, In the radio mode of RDS, press and hold for TA, When playing MP3, press and hold to select track.
12. **AUDIO** At video and music playback mode, each time press & hold shortly to select different audio output channels. (Note: Available on input device or media files recorded with different output channels and this selection is not available under Bluetooth mode)
13. **RDM** At disc / USB / SD input playback mode, press & hold shortly to turn on or off of random playback of the input device. (Note: Not available at photo playback mode)
14. **TITLE** DVD Mode
Press & hold shortly to display on screen the title of the disc for setting/setup.
15. **PTY/GOTO/SEL** In the Radio model of RDS, it will be PTY.
In the DISC playback mode, press and hold to select track, briefly press to select volume.
16. **▲/▼/▶/◀** DVD Mode
At DVD menu/title display mode, press to select the desired setting/setup and press ENT to confirm/enter.

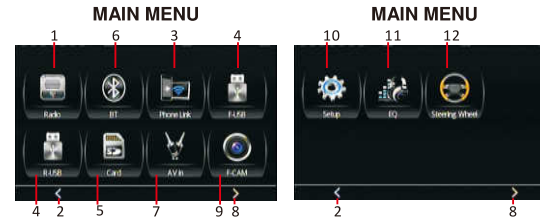
Folder / Playlist Mode
During folder/playlist display at media playback mode, press repeatedly to select track for playback. Once selected, press ENT to confirm.
Photo Playback Mode
Press to rotate photo position or show up-down, left-right mirror image.
17. **ENT** DVD Mode / Folder/Playlist Mode
At DVD menu/title display mode as well as folder/playlist display at media playback mode, press ▲/▼/▶/◀ to select the desired setting/setup and press ENT to confirm/enter.
18. **▶▶/◀◀** Radio Mode
Press repeatedly to fine tune radio frequency upward or downward. Press & hold shortly to tune radio frequency upward or downward and stop for broadcasting when a station received.
Disc / USB / SD Input Mode (Playback Mode)
Press repeatedly to shift track upward or downward for playback. Each time press & hold shortly to activate various speed of fast forward or fast rewind mode. (Note: Not available for operate at photo playback mode)
Bluetooth Mode
Press to shift track upward or downward for playback.
TV Mode
Press repeatedly to shift upward or downward for playback. Press & hold shortly to turn frequency upward or downward and stop for broadcasting when a channel received.
19. **☎** Bluetooth Mode
Press to pick up an incoming call; dial out after input a phone number; redial last dial out number.

- ⇐ / PHONE Bluetooth Conversation Mode
Press & hold shortly to shift conversation between main unit and mobile phone.
20. ANGLE At video playback mode, each time press & hold shortly to view angle changes in sequential order (available on media files recorded with this features).
21. 1 – 6 Radio Mode
Press any one of the number key 1-6 to select a station that had been stored in the preset memory number key 1-6 for broadcasting.
- 0 – 9 Disc / USB / SD / Input Mode
Press directly to input the number of track for playback.
Bluetooth Mode
Press directly to input the phone number for dial out.
TV Mode
Press directly to input the channel number for broadcasting
22. ZOOM Disc / USB / SD Input Mode
At video & photo playback, each time press & hold shortly to select various zoom in and zoom out of screen for viewing.
- Q Radio Mode
Press to start scanning all the preset stations on memory and stop for a few seconds for broadcasting.
Press & hold shortly to start searching the frequency and storing the strongest signal stations into the preset memory stations number 1-6. After storing the stations, the unit starts scanning all the preset stations on memory and stop for a few seconds for broadcasting.
23. SLOW At DVD playback mode, press repeatedly to select different speeds on slow motion playback.
24. MENU / PBC DVD Mode
Press & hold shortly to display on screen the menu of the entire disc for setting/setup.
VCD Mode
Press & hold shortly to turn on or off of PBC playback.
25. EQ Press repeatedly to select the desired preset equalization mode.
LOUD Press & hold shortly to turn on or off of loudness control.
26. INT At music playback mode, press & hold shortly to turn on or off of intro playback of the input device. (Note: Not available at Bluetooth mode)
27. VOL + / VOL - Press repeatedly or press & hold to adjust sound output level.

Remarks: Depends on the input devices & playback media files, operation may be varied or not available for operation.

ON SCREEN – MAIN MENU OPERATION

 During unit operation and when this icon appeared on screen, touch to shift screen to **MAIN MENU** for selection of various operation or setup modes.



Touch the icon on the desired mode on screen and the unit will then enter into the mode that selected for operation. Hold & slide on screen to shift to other **MAIN MENU** that shows the hidden input or operation icons.

1. Touch to start radio operation (when the radio antenna connected).
2. Touch to Move selection left.
3. Touch to start mobile phone mirror linking operation (when the mobile phone connected).
4. Touch to start USB input operation (when an USB device inserted).
5. Touch to start SD card input operation (when a micro SD card inserted).
6. Touch to start Bluetooth operation (when the mobile phone connected)
7. Touch to start auxiliary input operation (when an auxiliary device inserted).
8. Touch to Move selection right.
9. Touch to start viewing front camera (when connected to front camera and pink/black wire).
10. Touch to activate **SYSTEM SETUP MENU** on screen to have various setup of the unit.
11. Touch to select to desired preset equalization mode.
12. Touch to Make steering wheel control settings.

FCC Statement

This equipment has been tested and found to comply with the limits for a Class B digital device, pursuant to part 15 of the FCC Rules. These limits are designed to provide reasonable protection against harmful interference in a residential installation. This equipment generates, uses and can radiate radio frequency energy and, if not installed and used in accordance with the instructions, may cause harmful interference to radio communications. However, there is no guarantee that interference will not occur in a particular installation. If this equipment does cause harmful interference to radio or television reception, which can be determined by turning the equipment off and on, the user is encouraged to try to correct the interference by one or more of the following measures:

- Reorient or relocate the receiving antenna.
- Increase the separation between the equipment and receiver.
- Connect the equipment into an outlet on a circuit different from that to which the receiver is connected.
- Consult the dealer or an experienced radio/TV technician for help.

Caution: Any changes or modifications to this device not explicitly approved by manufacturer could void your authority to operate this equipment.

This device complies with part 15 of the FCC Rules. Operation is subject to the following two conditions: (1) This device may not cause harmful interference, and (2) this device must accept any interference received, including interference that may cause undesired operation.

RF Exposure Information

The device has been evaluated to meet general RF exposure requirement. The device can be used in portable exposure condition without restriction.