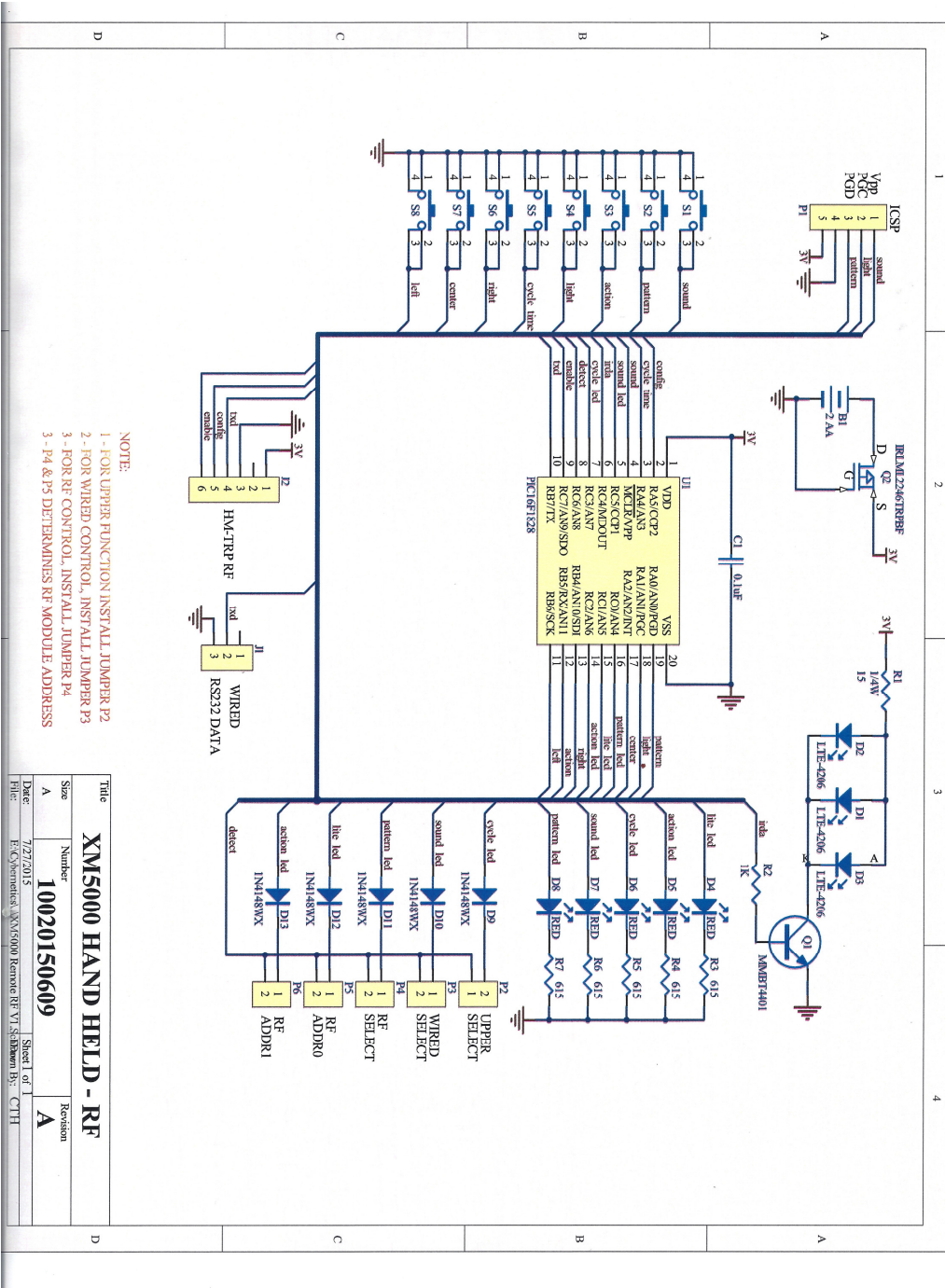


# SCHEMATIC FOR XM-5000 REMOTE CONTROL



PEHRATEK PRODUCTS

REV 1

DATE: April 15,2022

Drafted By:

SCHEMATIC  
REMOTE CONTROL

Product: XM-5000