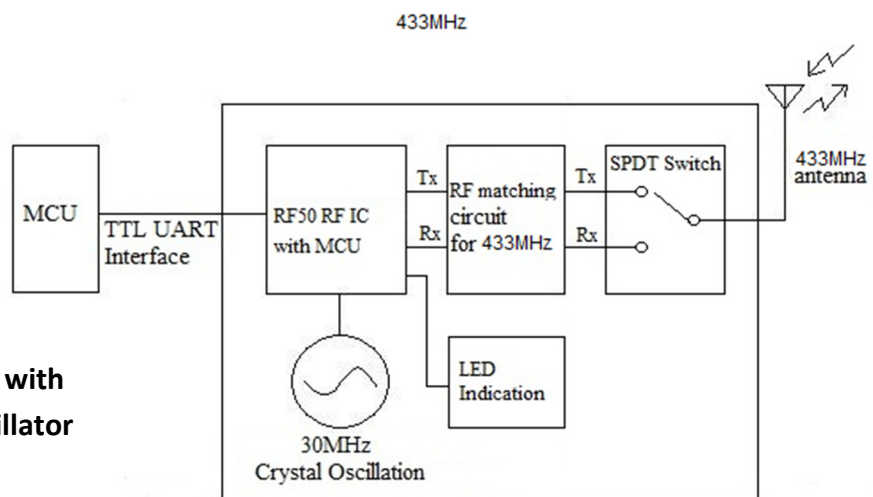


RADIO MODULE BLOCK DIAGRAM

MCU operates with
internal RC oscillator
at 8 MHz



HM-TRPW-433S 433MHz FSK Transceiver Module

HM-TRPW-433 MHz Radio

PEHRATEK PRODUCTS	REV 1		
DATE: April 15,2022			
Drafted By: James L. Pehringer	Block Diagram		
Product: XM-5000	Schematic		

