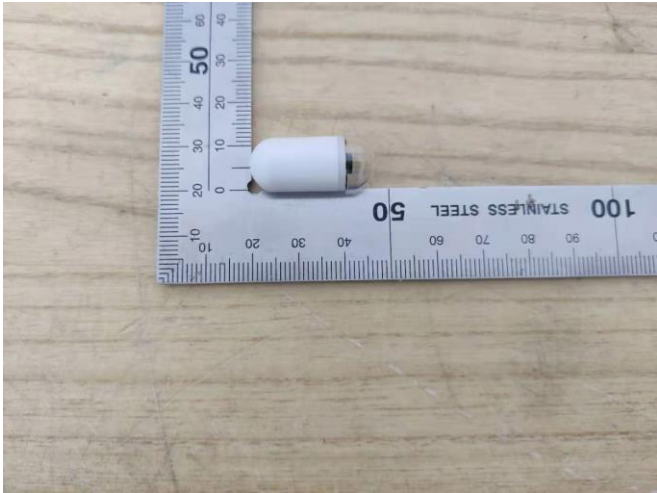



# Appendix A

# Photo

Sample	
Front view	Rear view
 A photograph showing the front view of a small, white, cylindrical object. The object is positioned horizontally on a light-colored wooden surface. A stainless steel ruler is placed vertically to the left of the object, with its edge touching the object. The ruler has markings in millimeters and centimeters, with the number '50' clearly visible. The object's length is approximately 1.5 cm.	 A photograph showing the rear view of the same white cylindrical object. It is positioned horizontally on the same wooden surface. A stainless steel ruler is placed vertically to the left of the object, with its edge touching the object. The ruler has markings in millimeters and centimeters, with the number '50' clearly visible. The object's length is approximately 1.5 cm.

Test position

Top side



Bottom side



Left side



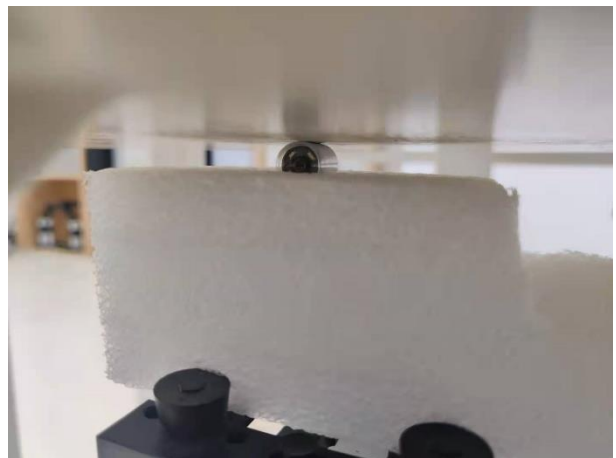
Right side



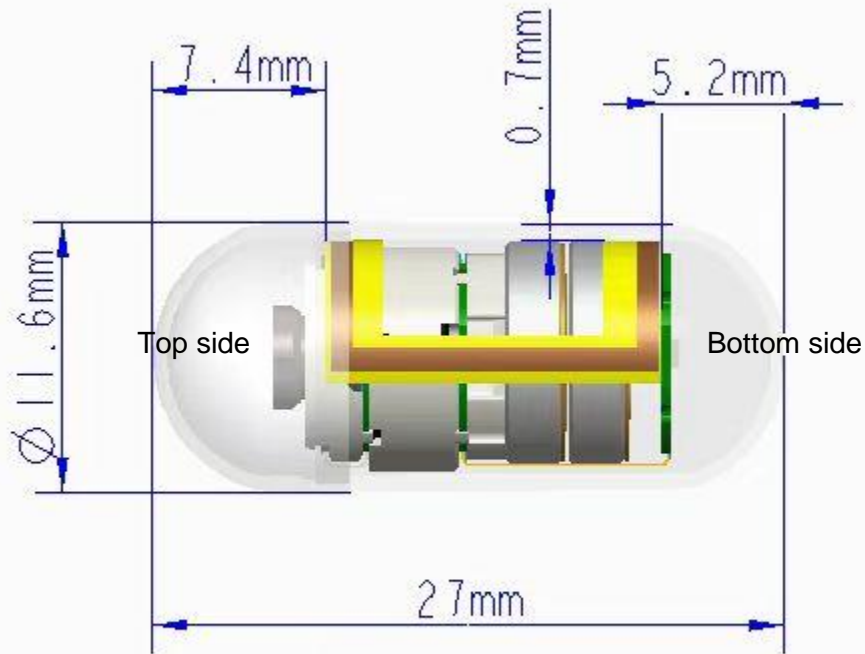
Front surface



Back surface



## Antenna location diagram



Note:

1. Line A is the line connects the two ends of the antenna.
2. Line B perpendiculars to line A and cross the center point of line A.
3. Line C cross the center of circle and parallel with line A.

