

Homedics®

cordless
eye massager with heat



**please take a
moment now**
register your product at
www.Homedics.com/register

Your valuable input regarding this
product will help us create
the products you will want
in the future.

INSTRUCTION MANUAL AND WARRANTY INFORMATION

2-year limited warranty

SPE-110H

IMPORTANT SAFETY INSTRUCTIONS

WHEN USING ELECTRICAL PRODUCTS, BASIC SAFETY PRECAUTIONS SHOULD ALWAYS BE FOLLOWED, INCLUDING THE FOLLOWING:

READ ALL INSTRUCTIONS BEFORE USING.

DANGER – TO REDUCE THE RISK OF ELECTRIC SHOCK:

- Always unplug this appliance from the electrical outlet immediately after using and before cleaning.
- NEVER use pins or other metallic fasteners with this appliance.

WARNING – TO REDUCE THE RISK OF BURNS, FIRE, ELECTRIC SHOCK, OR INJURY TO PERSONS:

- An appliance should NEVER be left unattended when plugged in. Unplug from outlet when not in use, and before putting on or taking off parts or attachments.
- NOT for use by children.
- Close supervision is necessary when this appliance is used by, on, or near children, invalids, or disabled persons.
- Use this appliance only for its intended use as described in this manual. DO NOT use attachments not recommended by Homedics; specifically, any attachments not provided with the unit.
- NEVER operate this appliance if it has a damaged cord or plug, if it is not working properly, if it has been dropped or damaged, or dropped into water. Return the appliance to Homedics Service Center for examination and repair.
- Use heated surfaces carefully. May cause serious burns. DO NOT use over insensitive skin areas or in the presence of poor circulation. The unattended use of heat by children or incapacitated persons may be dangerous.
- Keep the cord away from heated surfaces.
- NEVER drop or insert any object into any opening.
- DO NOT use massager in close proximity to loose clothing or jewelry.
- Keep long hair away from massager while in use.
- DO NOT operate where aerosol (spray) products are being used or where oxygen is being administered.
- DO NOT operate under a blanket or pillow. Excessive heating can occur and cause fire, electric shock, or injury to persons.
- DO NOT carry this appliance by the supply cord or use cord as a handle.
- To disconnect, turn all controls to the off position, then remove plug from outlet.

- DO NOT use outdoors.
- NEVER operate the appliance with the air openings blocked. Keep the air openings free of lint, hair, and the like.

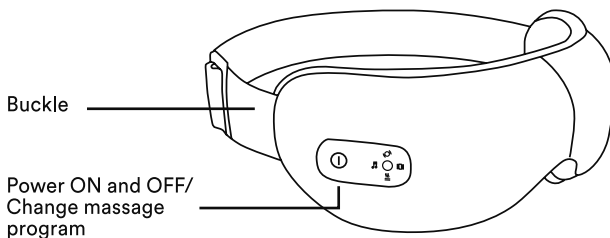
SAVE THESE INSTRUCTIONS

CAUTION – PLEASE READ ALL INSTRUCTIONS CAREFULLY BEFORE OPERATING.

- This product is not intended for medical use.
- Consult your doctor prior to using this product, if:
 - You are pregnant
 - You have a pacemaker
 - You have any concerns regarding your health
- NOT recommended for use by diabetics.
- NEVER leave the appliance unattended, especially if children are present.
- DO NOT use this product for more than 15 minutes at a time.
- Extensive use could lead to the product's excessive heating and shorter life. Should this occur, discontinue use and allow the unit to cool before operating.
- NEVER use this product directly on swollen or inflamed areas or skin eruptions.
- DO NOT use this product as a substitute for medical attention.
- This product should NEVER be used by any individual suffering from any physical ailment that would limit the user's capacity to operate the controls or who has sensory deficiencies in the lower half of their body.
- NEVER use this product in automobiles.
- This appliance is intended for household use only.

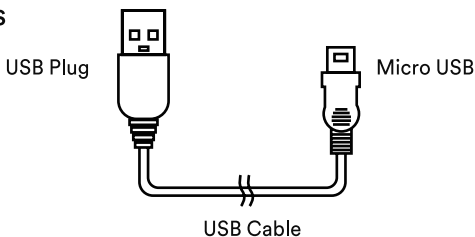
CAUTION: All servicing of this massager must be performed by authorized Homedics service personnel only.

BLUETOOTH® WIRELESS MAIN ENGINE



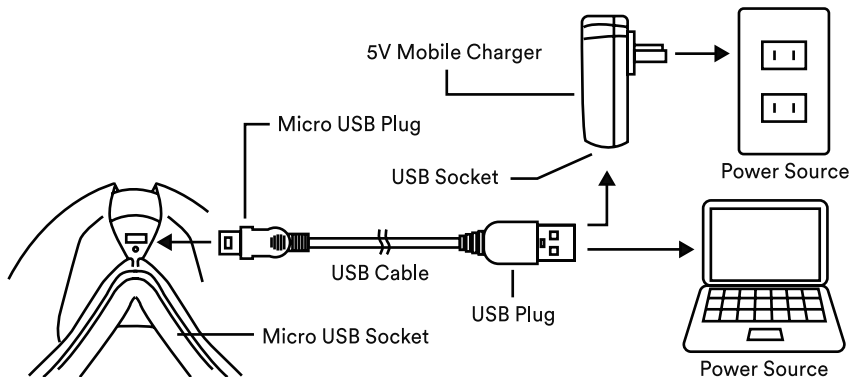
INSTRUCTIONS FOR USE

ACCESSORIES



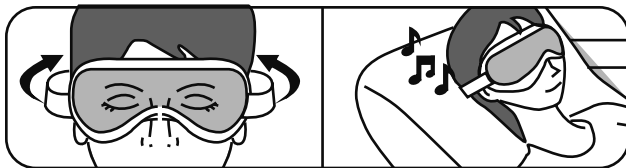
PREPARATIONS BEFORE USE - CHARGING

- Prior to use, charge eye massager with a 5V mobile charger.
- Insert USB plug into the socket of the mobile charger.
- Insert Micro USB plug into the socket of the device, making sure the micro USB is inserted in the right direction.
- While charging, the POWER LED indicator will show white blinking, after charging is completed, the POWER LED indicator will show solid white.
- The device will not work while charging is in process.
- The charge duration is 2-3 hours.
- Disconnect the power adapter after charging is complete.



WEARING THE DEVICE

Align the cloth cover to your eyes, put on the device and adjust the elastic band so the device is in the most comfortable position. Hold the power button for 5 seconds to turn on the eye massager.



ATTENTION

Remove glasses, contact lenses, and any hair accessories before use to avoid discomfort.

CONTROLS

- Press and hold the power button for 3 seconds to turn the massager on and off.
- When powered on, the massager will begin with the first program mode. Short press the power button to change massage programs. There are 5 unique programs to choose from.

BLUETOOTH® WIRELESS MUSIC

- Bluetooth Wireless is ON by default.
- This massager is equipped with built-in relaxing music to enhance your massage experience. It is also Bluetooth enabled so that you can enjoy your favorite tunes.
- Pair your smart device to "Eye Massager".
- Once connected the massager will announce "Bluetooth Connected".
- When you disconnect, the massager will announce "Bluetooth Disconnected" and will resume with playing the built-in music.

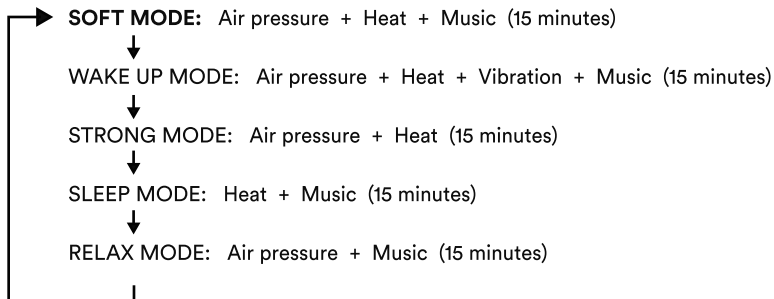
NOTE: Over time, repeated exposure to loud noise and music can cause hearing loss.

MESSAGE PROGRAMS

DEFAULT SETTING:

SOFT MODE: AIR PRESSURE + HEAT + MUSIC (15 MINUTES)

Short touch POWER button to cycle changing massager mode: Every time short touch POWER button Audio voice will confirm mode change (music will stop during this operation and it will auto restore music after 2 seconds).



PRODUCTS FEATURES



Heat



Automatic Timing



Smart Touch Control



Air Pressure



Vibration



Intelligent Voice
Reminder (Current
version does not
have customized
function)



Bluetooth



180° Foldable

MAINTENANCE

TO STORE

Place massager in its box or in a cool, dry place. Avoid contact with sharp edges or pointed objects which might cut or puncture the fabric surface. To avoid breakage, do not wrap the power cord around the unit. Do not hang the unit by the power cord.

TO CLEAN

Unplug the unit and allow it to cool before cleaning. Spot clean only with a soft, slightly damp sponge. Never allow water or any other liquids to come into contact with the unit.

- **DO NOT** immerse in any liquid to clean.
- **NEVER** use abrasive cleaners, brushes, gasoline, kerosene, glass/furniture polish or paint thinner to clean.
- **DO NOT** attempt to repair the Cordless Eye Massager with Heat. There are no user-serviceable parts. For service, contact Consumer Relations at the number listed in the Warranty section.

FCC STATEMENT

This device complies with Part 15 of the FCC Rules. Operation is subject to the following two conditions: (1) this device may not cause harmful interference, and (2) this device must accept any interference received, including interference that may cause undesired operation.

NOTE: The manufacturer is not responsible for any radio or TV interference caused by unauthorized modifications to this equipment. Such modifications could void the user authority to operate the equipment.

NOTE: This equipment has been tested and found to comply with the limits for a Class B digital device, pursuant to Part 15 of the FCC Rules and CAN ICES-3 (B)/NMB-3 (B). These limits are designed to provide reasonable protection against harmful interference in a residential installation. This equipment generates, uses, and can radiate radio frequency energy and, if not installed and used in accordance with the instructions, may cause harmful interference to radio communications. However, there is no guarantee that interference will not occur in a particular installation. If this equipment does cause harmful interference to radio or television reception, which can be determined by turning the equipment off and on, the user is encouraged to try to correct the interference by one or more of the following measures:

- Reorient or relocate the receiving antenna.
- Increase the separation between the equipment and receiver.
- Connect the equipment into an outlet on a circuit different from that to which the receiver is connected.
- Consult the dealer or an experienced radio/TV technician for help.

SUPPLIER'S DECLARATION OF CONFORMITY

Product Description: CORDLESS EYE MASSAGER WITH HEAT

Model Number: SPE-110H-2

Trade Name: Homedics

FCC Compliance Statement

This device complies with Part 15 of the FCC Rules. Operation is subject to the following two conditions: (1) This device may not cause harmful interference, and (2) This device must accept any interference received, including interference that may cause undesired operation.

U.S. Contact Information

Company: Homedics, LLC.

Address: 3000 N Pontiac Trail, Commerce Township, MI 48390

8:30am-7:00pm EST Monday-Friday 1-800-466-3342

Homedics is not responsible for any radio or TV interference caused by unauthorized modifications to this equipment. Such modifications could void the user authority to operate the equipment.

This equipment has been tested and found to comply with the limits for a Class B digital device, pursuant to Part 15 of the FCC Rules. These limits are designed to provide reasonable protection against harmful interference in a residential installation. This equipment generates, uses, and can radiate radio frequency energy and, if not installed and used in accordance with the instructions, may cause harmful interference to radio communications. However, there is no guarantee that interference will not occur in a particular installation. If this equipment does cause harmful interference to radio or television reception, which can be determined by turning the equipment off and on, the user is encouraged to try to correct the interference by one or more of the following measures:

- Reorient or relocate the receiving antenna.
- Increase the separation between the equipment and receiver.
- Connect the equipment to an outlet on a circuit different from that to which the receiver is connected.
- Consult the dealer or an experienced radio/TV technician for help.

CAN ICES-003(B)/NMB-003(B)



2-YEAR LIMITED WARRANTY

Homedics sells its products with the intent that they are free of defects in manufacture and workmanship for a period of 2 years from the date of original purchase, except as noted below. Homedics warrants that its products will be free of defects in material and workmanship under normal use and service. This warranty extends only to consumers and does not extend to Retailers.

To obtain warranty service on your Homedics product, contact a Consumer Relations representative for assistance. Please make sure to have the model number of the product available.

Homedics does not authorize anyone, including, but not limited to, Retailers, the subsequent consumer purchaser of the product from a Retailer or remote purchasers, to obligate Homedics in any way beyond the terms set forth herein. This warranty does not cover damage caused by misuse or abuse; accident; the attachment of any unauthorized accessory; alteration to the product; improper installation; unauthorized repairs or modifications; improper use of electrical/power supply; loss of power; dropped product; malfunction or damage of an operating part from failure to provide manufacturer's recommended maintenance; transportation damage; theft; neglect; vandalism; or environmental conditions; loss of use during the period the product is at a repair facility or otherwise awaiting parts or repair; or any other conditions whatsoever that are beyond the control of Homedics.

This warranty is effective only if the product is purchased and operated in the country in which the product is purchased. A product that requires modifications or adoption to enable it to operate in any other country than the country for which it was designed, manufactured, approved and/or authorized, or repair of products damaged by these modifications is not covered under this warranty.

THE WARRANTY PROVIDED HEREIN SHALL BE THE SOLE AND EXCLUSIVE WARRANTY. THERE SHALL BE NO OTHER WARRANTIES EXPRESS OR IMPLIED INCLUDING ANY IMPLIED WARRANTY OF MERCHANTABILITY OR FITNESS OR ANY OTHER OBLIGATION ON THE PART OF THE COMPANY WITH RESPECT TO PRODUCTS COVERED BY THIS WARRANTY. HOMEDICS SHALL HAVE NO LIABILITY FOR ANY INCIDENTAL, CONSEQUENTIAL, OR SPECIAL DAMAGES. IN NO EVENT SHALL THIS WARRANTY REQUIRE MORE THAN THE REPAIR OR REPLACEMENT OF ANY PART OR PARTS WHICH ARE FOUND TO BE DEFECTIVE WITHIN THE EFFECTIVE PERIOD OF THE WARRANTY. NO REFUNDS WILL BE GIVEN. IF REPLACEMENT PARTS FOR DEFECTIVE MATERIALS ARE NOT AVAILABLE, HOMEDICS RESERVES THE RIGHT TO MAKE PRODUCT SUBSTITUTIONS IN LIEU OF REPAIR OR REPLACEMENT.

This warranty does not extend to the purchase of opened, used, repaired, repackaged and/or resealed products, including but not limited to sale of such products on internet auction sites and/or sales of such products by surplus or bulk resellers. Any and all warranties or guarantees shall immediately cease and terminate as to any products or parts thereof which are repaired, replaced, altered, or modified, without the prior express and written consent of Homedics.

This warranty provides you with specific legal rights. You may have additional rights which may vary from state to state and country to country. Because of individual state and country regulations, some of the above limitations and exclusions may not apply to you.

For more information regarding our product line in the USA, please visit www.Homedics.com. For Canada, please visit www.Homedics.ca.

FOR SERVICE IN THE USA

cservice@Homedics.com

8:30am-7:00pm EST Monday-Friday

1-800-466-3342

FOR SERVICE IN CANADA

cservice@Homedicsgroup.ca

8:30am-5:00pm EST Monday-Friday

1-888-225-7378

©2022 Homedics, LLC. All rights reserved.

Homedics is a registered trademark of Homedics, LLC.

The Bluetooth® word mark and logos are registered trademarks owned by Bluetooth SIG, Inc. and any use of such marks by Homedics, LLC is under license. Other trademarks and trade names are those of their respective owners.

Distributed by Homedics, LLC, 3000 N Pontiac Trail, Commerce Township, MI 48390

IB-SPE-110H

Homedics™

sans fil
masseur oculaire avec chaleur



**veuillez
prendre mainte-
nant un moment**

enregistrer votre produit à :
www.Homedics.com/register

Votre contribution précieuse
concernant ce produit nous
aidera à créer les produits
que vous voudrez à l'avenir.

MANUEL D'INSTRUCTIONS ET INFORMATION SUR LA GARANTIE

garantie limitée de 2-ans

SPE-110H

MISES EN GARDE IMPORTANTES

LORS DE L'UTILISATION DE PRODUITS ÉLECTRIQUES, EN PARTICULIER, LORSQUE DES ENFANTS SONT PRÉSENTS, DES MESURES DE SÉCURITÉ DE BASE DOIVENT TOUJOURS ÊTRE SUIVIES, DONT LES SUIVANTES :
LIRE TOUTES LES INSTRUCTIONS AVANT L'UTILISATION.

DANGER – POUR RÉDUIRE LE RISQUE DE CHOC ÉLECTRIQUE:

- Débranchez toujours cet appareil de la prise électrique immédiatement après l'avoir utilisé et avant de le nettoyer.
- N'utilisez JAMAIS d'épingles ou d'autres attaches métalliques avec cet appareil.

AVERTISSEMENT – POUR RÉDUIRE LE RISQUE DE BRÛLURES, D'ÉLECTROCUTION, D'INCENDIE OU DE BLESSURES:

- Un appareil ne doit JAMAIS être laissé sans surveillance lorsqu'il est branché. Débranchez-le de la prise lorsqu'il n'est pas utilisé et avant de mettre ou de retirer des pièces ou des accessoires.
- PAS pour une utilisation par des enfants.
- Une surveillance étroite est nécessaire lorsque cet appareil est utilisé par, sur ou à proximité d'enfants, de personnes invalides ou handicapées.
- Utilisez cet appareil uniquement pour l'usage auquel il est destiné, tel que décrit dans ce manuel. NE PAS utiliser d'accessoires non recommandés par Homedics ; spécifiquement, tous les accessoires non fournis avec l'appareil.
- N'utilisez JAMAIS cet appareil s'il a un cordon ou une prise endommagés, s'il ne fonctionne pas correctement, s'il est tombé ou endommagé, ou s'il est tombé dans l'eau. Retournez l'appareil au centre de service Homedics pour examen et réparation.
- Utilisez les surfaces chauffées avec précaution. Peut causer de graves brûlures. NE PAS utiliser sur des zones cutanées insensibles ou en présence d'une mauvaise circulation. L'utilisation de la chaleur sans surveillance par des enfants ou des personnes handicapées peut être dangereuse.
- Gardez le cordon éloigné des surfaces chauffées.
- NE JAMAIS laisser tomber ou insérer un objet dans une ouverture.
- NE PAS utiliser le masseur à proximité de vêtements amples ou de bijoux.
- Gardez les cheveux longs éloignés du masseur pendant son utilisation.
- NE PAS faire fonctionner là où des produits aérosols (spray) sont utilisés ou où de l'oxygène est administré.
- NE PAS utiliser sous une couverture ou un oreiller. Un échauffement excessif peut se produire et provoquer un incendie, un choc électrique ou des blessures.

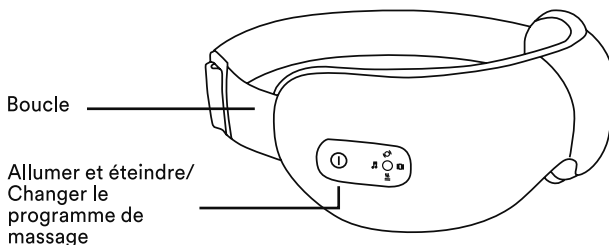
CONSERVEZ CES INSTRUCTIONS

PRECAUCIÓN – PLEASE READ ALL INSTRUCTIONS CAREFULLY BEFORE OPERATING.

- Ce produit n'est pas destiné à un usage médical.
- Consultez votre médecin avant d'utiliser ce produit si:
 - Tu es enceinte
 - Vous avez un stimulateur cardiaque
 - Vous avez des inquiétudes concernant votre santé
- NOT recommended for use by diabetics.
- Ne laissez JAMAIS l'appareil sans surveillance, surtout si des enfants sont présents.
- NE PAS utiliser ce produit pendant plus de 15 minutes à la fois.
- Une utilisation intensive pourrait entraîner un échauffement excessif et une durée de vie plus courte du produit. Si cela se produit, arrêtez l'utilisation et laissez l'appareil refroidir avant de l'utiliser. NEVER use this product directly on swollen or inflamed areas or skin eruptions.
- NE PAS utiliser ce produit comme substitut à des soins médicaux.
- Ce produit ne doit JAMAIS être utilisé par une personne souffrant d'une affection physique qui limiterait la capacité de l'utilisateur à utiliser les commandes ou qui a des déficiences sensorielles dans la moitié inférieure de son corps.
- N'utilisez JAMAIS ce produit dans les automobiles.
- Cet appareil est destiné à un usage domestique uniquement.

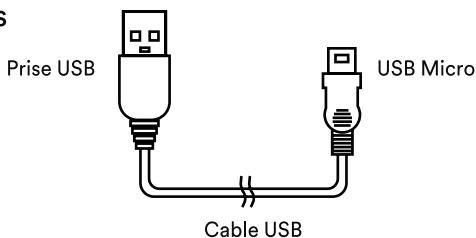
ATTENTION : Tout entretien de ce masseur doit être effectué uniquement par le personnel de service autorisé de Homedics.

MOTEUR PRINCIPAL BLUETOOTH® SANS FIL



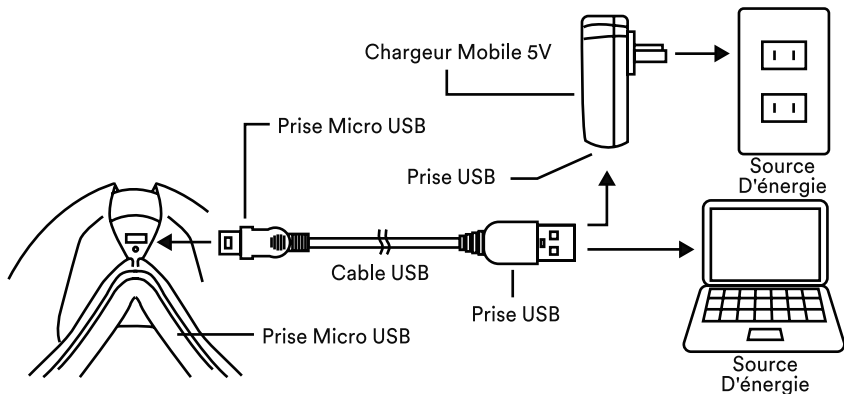
MODE D'EMPLOI

ACCESSOIRES



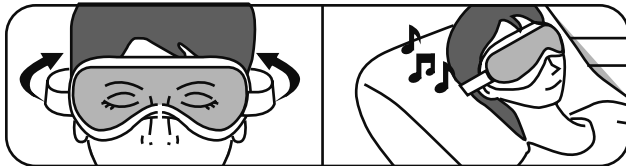
PRÉPARATIFS AVANT UTILISATION - CHARGEMENT

- Avant utilisation, chargez le masseur oculaire avec un chargeur mobile 5V.
- Insérez la fiche USB dans la prise du chargeur mobile.
- Insérez la fiche micro USB dans la prise de l'appareil, en vous assurant que le micro USB est inséré dans le bon sens.
- Pendant la charge, le voyant LED POWER s'allume en rouge. Le voyant POWER LED passera au vert une fois la charge terminée.
- L'appareil ne fonctionnera pas pendant le chargement.
- La durée de charge est de 2-3 heures.
- Débranchez l'adaptateur secteur une fois la charge terminée.



PORTER L'APPAREIL

Alignez la housse en tissu sur vos yeux, mettez l'appareil et ajustez la bande élastique pour que l'appareil soit dans la position la plus confortable. Maintenez le bouton d'alimentation enfoncé pendant 5 secondes pour allumer le masser oculaire.



ATTENTION

Retirez les lunettes, les lentilles de contact et tout accessoire pour cheveux avant utilisation pour éviter tout inconfort.

CONTRÔLE DES CLÉS

- Appuyez sur le bouton d'alimentation et maintenez-le enfoncé pendant 3 secondes pour allumer et éteindre le masser.
- Lorsqu'il est allumé, le masser commencera avec le premier mode de programme. Appuyez brièvement sur le bouton d'alimentation pour changer les programmes de massage. Vous avez le choix entre 5 programmes uniques.

MUSIQUE SANS FIL BLUETOOTH®

- Le Bluetooth sans fil est activé par défaut.
- Ce masseur est équipé d'une musique relaxante intégrée pour améliorer votre expérience de massage. Il est également compatible Bluetooth pour que vous puissiez profiter de vos morceaux préférés.
- Associez votre appareil intelligent à "Eye Massager".
- Une fois connecté, le masseur annoncera "Bluetooth Connected".
- Lorsque vous vous déconnectez, le masseur annonce "Bluetooth Disconnected" et reprend la lecture de la musique intégrée.

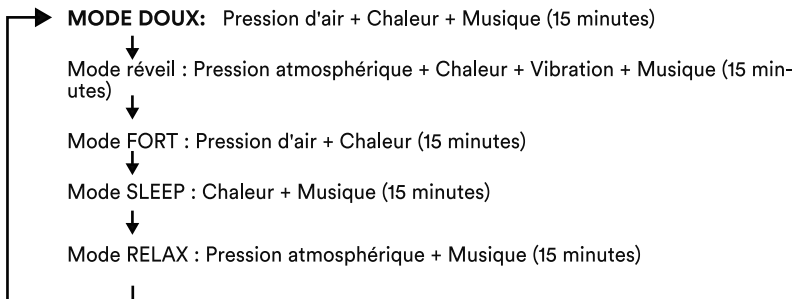
REMARQUE: Au fil du temps, une exposition répétée au bruit et à la musique peut entraîner une perte auditive.

PROGRAMMES DE MASSAGE

PARAMÈTRES PAR DÉFAUT:

MODE DOUX : PRESSION ATMOSPHÉRIQUE + CHALEUR + MUSIQUE (15 MINUTES)

Appuyez brièvement sur le bouton POWER pour changer de mode de massage : chaque fois que vous appuyez brièvement sur le bouton POWER, la voix audio confirmera le changement de mode (la musique s'arrêtera pendant cette opération et elle restaurera automatiquement la musique après 2 secondes).



CARACTÉRISTIQUES DES PRODUITS



Chaleur



Chronométrage automatique



Contrôle tactile intelligent



Pression de l'air



Vibration



Rappel vocal intelligent (la version actuelle n'a pas de fonction personnalisée)



Bluetooth



Pliable à 180°

L' ENTRETIEN

RANGER

Placez le massEUR dans sa boîte ou dans un endroit frais et sec. Évitez tout contact avec des arêtes vives ou des objets pointus qui pourraient couper ou percer la surface du tissu. Pour éviter les bris, n'enroulez pas le cordon d'alimentation autour de l'appareil. Ne suspendez pas l'appareil par le cordon d'alimentation..

NETTOYER

Débranchez l'appareil et laissez-le refroidir avant de le nettoyer. Nettoyez les taches uniquement avec une éponge douce légèrement humide. Ne laissez jamais de l'eau ou tout autre liquide entrer en contact avec l'appareil.

- **NE PAS** plonger dans n'importe quel liquide pour nettoyer.
- **JAMAIS** utilisez des nettoyeurs abrasifs, des brosses, de l'essence, du kérosène, de la cire pour vitres/meubles ou un diluant à peinture pour nettoyer.
- **N'ESSAYEZ PAS** de réparer le massEUR oculaire sans fil avec de la chaleur.

DÉCLARATION DE LA FCC

Cet appareil est conforme à la Partie 15 du règlement de la FCC. Le fonctionnement est soumis aux deux conditions suivantes : (1) cet appareil ne doit pas provoquer d'interférences nuisibles, et (2) cet appareil doit accepter toute interférence reçue, y compris les interférences pouvant entraîner un fonctionnement indésirable.

REMARQUE : Le fabricant n'est pas responsable des interférences radio ou TV causées par des modifications non autorisées de cet appareil. De telles modifications pourraient entraîner l'interdiction d'utiliser l'appareil.

REMARQUE : Cet appareil a été testé et jugé conforme aux limites applicables aux appareils de Classe B, conformément à la Partie 15 du règlement de la FCC et à CAN ICES-3 (B)/NMB-3 (B). Ces limites sont conçues pour fournir une protection raisonnable contre les interférences nuisibles dans une installation résidentielle. Cet appareil génère, utilise et peut émettre une énergie de radiofréquence et, s'il n'est pas installé et utilisé conformément aux instructions, peut causer des interférences nuisibles aux communications radio. Il n'est toutefois pas garanti que des interférences ne se produiront pas dans une installation particulière. Si cet appareil provoque des interférences nuisibles à la réception radio ou télévision, ce qui peut être déterminé en éteignant l'appareil et en le rallumant, il est recommandé d'essayer de corriger les interférences en prenant une ou plusieurs des mesures suivantes :

- Réorienter ou déplacer l'antenne de réception.
- Augmenter la distance entre l'appareil et le récepteur.
- Brancher l'appareil dans une prise sur un circuit différent de celui auquel le récepteur est branché.
- Consulter le revendeur ou un technicien radio/TV expérimenté pour obtenir de l'aide.