

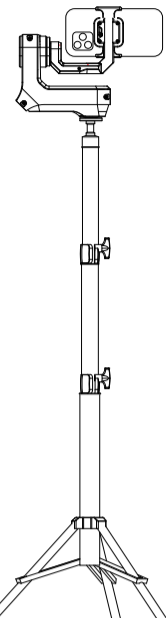
VR采集云平台产品说明书

Smartphone gimbal Product Manual

Smartphone ジンバル 製品説明書

Smartphone gimbal Manual do

Produto



三脚架是辅助云台拍摄的附件，不属于云台部件；手机请用户自备。
O tripé é usado para auxiliar na filmagem de Gimbal e não faz parte do Gimbal. Por favor prepare seu próprio telefone celular.

声明

如您所视（北京）科技有限公司对本说明书有最终解释权。

本公司对于本说明书的安装错误、操作错误不作任何形式的担保，对于偶发或必然损坏不承担任何法律责任。

本说明书所包含的内容受版权法保护，版权为本公司所有，未经本公司事先书面许可，不得对本说明书任何部分进行复制、照相、复制或翻译成其他语言。

如您所视（北京）科技有限公司有权在不提前通知的情况下对本说明书的内容进行修改。对本说明书内容的修改将体现在新出版的版本中。

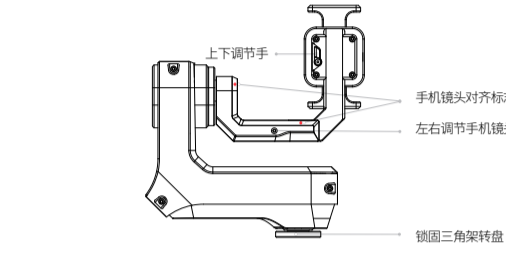
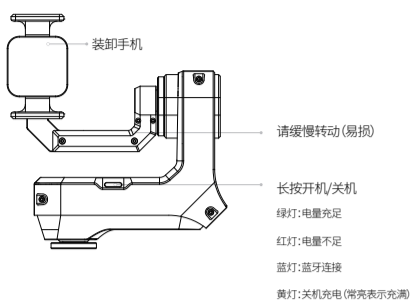
如您所视（北京）科技有限公司对非本公司提供以及分销商提供的软件和设备不承担任何责任。

如您所视（北京）科技有限公司仅在下列情况下认为应该对如视云台的可靠性、安全性及性能负责。即：装配、扩充重新调整、性能改进和维修均由本公司授权的人员或机构操作；随产品附带的的所有维修及更换部件以及配件均为本公司生产。

请您先阅读本说明书，熟悉产品功能后再使用本产品。本产品不适合儿童使用，为保证能正确、安全地使用本产品，请您在进行安装、设置和使用之前请务必仔细阅读本说明书所有内容，且严格按照说明书内容安装和使用。

产品介绍

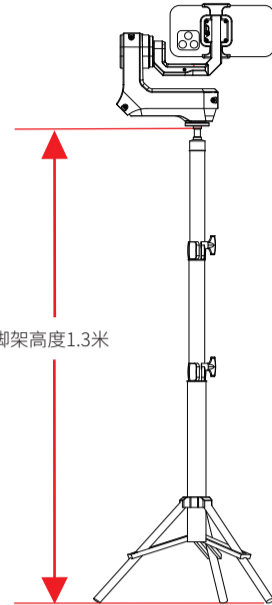
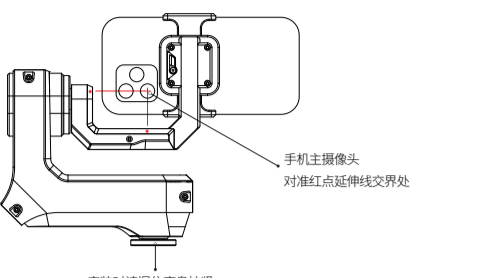
VR采集云平台是如视VR采集套装的核心产品，双轴设计，配合三脚架使用，使手机可以稳定旋转360度拍摄，完成VR采集。



【如视VR APP下载】

请前往官网 (xxxxxxx), 或添加如视VR服务公众号下载安装如视VR app，并按照公众号VR拍摄教学视频进行拍摄使用。

安装说明



重要安全信息

⚠【警告】

- 云台不防水。请勿让云台接触到任何液体，建议使用柔软的干布清洁。可生物生。
- 禁止以任何方式拆解产品。云台电池为不可拆卸状态，若拆解过程中刺破电池，将会导致电池内部电解液泄露，甚至引起起火、爆炸。云台为高精度产品，禁止机械撞击、碾压或抛掷。请勿在产品上放置重物。
- 禁止手动抖动云台上盖。
- 使用云台时禁止给云台充电。
- 请在温度为0~40度之间的环境中使用产品。

⚠【注意】

- 云台配备了type-C充电线，请使用符合相关国家和地区的法律和安全性能标准的其他第三方适配器给云台充电，使用不符合相关安全性能标准的适配器充电时可能造成人身伤亡的风险。使用损坏的线缆或适配器，或者在潮湿环境下充电，会导致火灾、电击、受伤等，可能会损坏云台或其他财物。当您使用电源适配器给云台充电时，请将适配器电源插头插入电源插座之前，请确保交流插头或电源线已完全插入电源插座。
- 如果云台需要维修、已损坏、出现故障或者接触到液体，请联系卖家或卖家授权的维修中心，如卖家授权服务商。如果您尝试拆开云台，有可能造成损坏，且这种损坏不包括在云台的有限保修范围内。

重要安全信息

【特殊物质声明】

部件名称	产品中有害物质的名称及含量					
	铅 (Pb)	汞 (Hg)	镍 (Cd)	六价铬 (Cr (VI))	多溴联苯 (PBB)	多溴二苯醚 (PBDE)
外壳、构造	○	○	○	○	○	○
主板	○	○	○	○	○	○
电池	×	○	×	○	○	○
电源线	○	○	○	○	○	○

有害物质含量符合以下标准：
 ○ 表示该有害物质在指定浓度范围内含量符合相应GB/T26572规定的限量要求；
 × 表示该有害物质在指定浓度范围内含量超出GB/T26572规定的限量要求。对于数字“×”的情况，属于放置RoHS指令的豁免项目。

10 在本指南中所述的正常使用条件下，本产品（除电池外）环保使用期限为10年

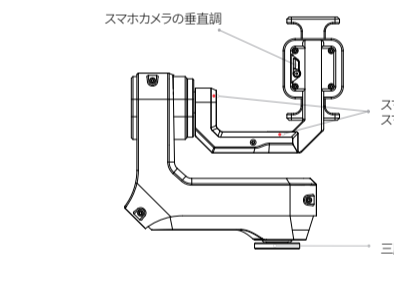
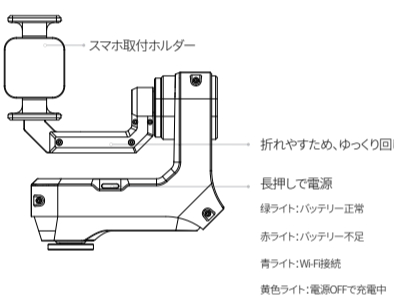
Bluetooth

规格参数

VR采集云台 (smartphone gimbal)	
型号	RSSYT02
适用手机宽度	65-88mm
尺寸	长×宽×高=145mm(L)X 38mm(W)X 152mm(H)
重量 (含电池)	约 381g
颜色	黑色
规格	SV 1.5A 7.5W
电压	锂离子电池 型号: N031-1S1P (3000mAh 3.7V 11.1Wh)
充电模式	低功耗蓝牙 (BLE) 5.0
EIRP	< 5dbm
工作环境温度	0°C至40°C (32°F至 104°F)
充电环境温度	10°C至45°C (50°F至 113°F)
认证 ID	XXXXXXXXXX

製品紹介

VRキャプチャージンバル、Realsee VR取得キットのコア製品です。2軸設計で三脚と併用することで、スマホを360度安定的に回転し、VR撮影にサポートします。



【Realsee VR APPダウンロード】
Realsee社、URLはQRコードのQRコードにアクセスしてください。

Statement

Realsee (Beijing) Technology Co., Ltd. ("the company") has the final right to interpret the Manual.

The company neither makes any form of guarantee for installation or operation errors in the Manual, nor bears any legal responsibilities for incidental or inevitable damage. The content contained in the Manual is protected by copyright law. The copyright is owned by the company. Without the prior written permission of the company, no part of the Manual may be copied, photographed, duplicated or translated into other languages.

Realsee (Beijing) Technology Co., Ltd. has the right to modify the Manual without prior notice. The modification of the Manual will be embodied in the new version.

Realsee (Beijing) Technology Co., Ltd. doesn't bear any responsibility for the software and devices not provided by the company.

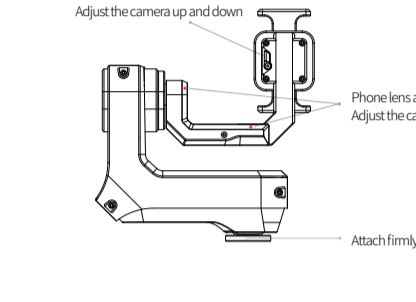
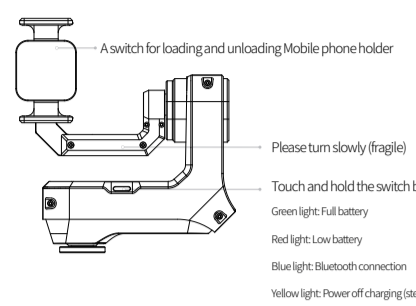
Realsee (Beijing) Technology Co., Ltd. only believes that it should be responsible for the reliability, safety and performance of the Realsee Gimbal in the following situations. These include: assembly, expansion, re-adjustment, performance improvement and maintenance which are operated by personnel or organizations authorized by the company. All maintenance and replacement parts and accessories attached or built into the Realsee Gimbal are produced by the company.

Realsee (Beijing) Technology Co., Ltd. only believes that it should be responsible for the reliability, safety and performance of the Realsee Gimbal in the following situations. These include: assembly, expansion, re-adjustment, performance improvement and maintenance which are operated by personnel or organizations authorized by the company. All maintenance and replacement parts and accessories attached or built into the Realsee Gimbal are produced by the company.

Please read the manual, and familiarize yourself with the product features before using this product. This product is not intended for children. To ensure proper and safe use of this product, please read all contents of this manual carefully. Set up and operate the device in strict accordance with this manual.

Product Introduction

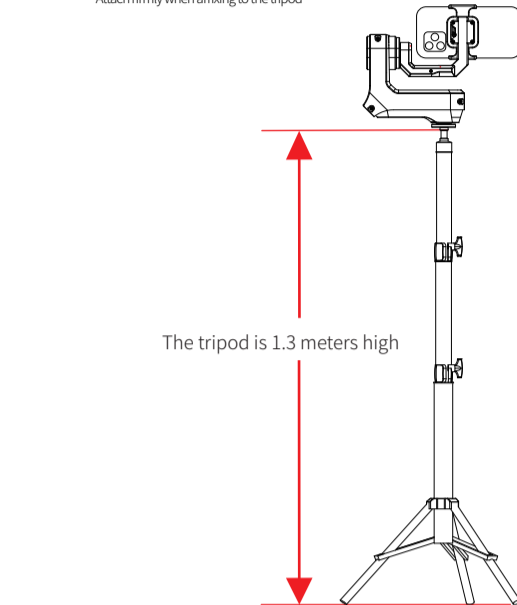
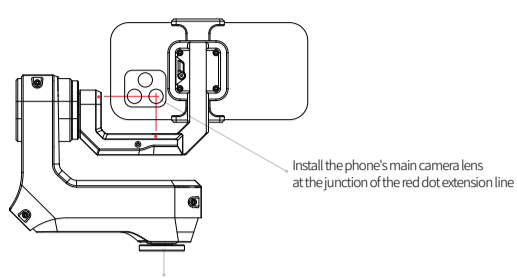
smartphone gimbal is the core product of Realsee VR Acquisition Kit. dual-axis design, with tripod use, so that the phone can be fitted for stable rotation 360 degrees shooting, complete VR acquisition.



【Realsee VR APP download】

Please go to the official website (https://realsee.ai), download and install Realsee VR app, and use the smartphone gimbal in accordance with instructional video content which is available on the website, or through a Realsee representative.

Product Introduction



Safety Guidelines

⚠【Warning】

- Smartphone gimbal is not waterproof, do not let it come into contact with any liquid. It is recommended cleaning the device with a soft dry cloth. Do not disassemble the product in any way outside of steps outlined in this manual or in company instructional material. The battery is non-removable, if the battery is punctured during dismantling, it will cause the internal electrolyte of the battery to leak, and even cause a fire and explosion.
- Smartphone gimbal is a high-precision product. Handle with care, crushing or throwing will damage the product. Do not place heavy objects on the product.
- Manual rotation of the shaft of the Realsee Gimbal will damage the product.
- Do not charge the smartphone gimbal while operating the device
- Use the smartphone gimbal in an environment with a temperature of between 0-40 degrees.

⚠【Notice】

- The smartphone gimbal is equipped with a type-C charging cable. Charge the Realsee Gimbal using a third-party adapter that meets relevant international and regional regulations and security standards. There may be a risk of death or injury when charging with an adapter that does not meet the relevant safety standards. Using a damaged cable or adapter, or charging in a humid environment may cause fire, electric shock, injury, etc., and may damage the Gaois camera or other belongings. When you charge the smartphone gimbal with the power adapter, please make sure that the AC plug or AC power cord is fully inserted into the power adapter before the power plug of the adapter is inserted into the power socket.
- If the smartphone gimbal needs to be serviced, should it be damaged, unable to be normally operated, or comes in contact with liquids, should this occur please contact Realsee or maintenance centers authorized by Realsee, such as service providers authorized by Realsee. If you try to disassemble the smartphone gimbal, it may cause damage, and this damage is not smartphone covered by the gimbal's limited warranty.

Compliance Information

EU Compliance Statement

"Hereby, [Realsee (Beijing) Technology Co., Ltd.] declares that the radio equipment type [RSSYT02] is in compliance with Directive 2014/53/EU. The full text of the EU declaration of conformity is available at the following internet address: (https://realsee.ai)"

FCC Compliance Notice

This device complies with Part 15 of the FCC Rules. Operation is subject to the following two conditions:
 • This device may not cause harmful interference, and
 • This device must accept any interference received, including interference that may cause undesired operation.

IMPORTANT: Changes or modifications to this unit not expressly approved by the party responsible for compliance could void the user's authority to operate the equipment.
 NOTE: This equipment has been tested and found to comply with the limits for a Class B digital device, pursuant to part 15 of the FCC Rules. These limits are designed to provide reasonable protection against harmful interference in a residential installation.

This equipment generates, uses and can radiate radio frequency energy and, if not installed and used in accordance with the instructions, may cause harmful interference to radio communications. However, there is no guarantee that interference will not occur in a particular installation.

If this equipment does cause harmful interference to radio or television reception, which can be determined by turning the equipment off and on, the user is encouraged to try to correct the interference by one or more of the following measures:

- Reorient or relocate the receiving antenna.
- Increase the separation between the equipment and receiver.
- Connect the equipment into an outlet on a circuit different from that to which the receiver is connected.
- Consult the dealer or an experienced radio/TV technician for help.

Compliance Information

IC Compliance Statement

This device complies with Industry Canada license-exempt RSS standard(s). Operation is subject to the following two conditions: (1) this device may not cause interference, and (2) this device must accept any interference, including interference that may cause undesired operation of the device.

The present appareil est conforme aux CNR d'Industrie Canada applicables aux appareils radio exempts de licence. L'exploitation est autorisée aux deux conditions suivantes:

- L'appareil ne doit pas produire de brouillage, et
- L'utilisateur de l'appareil doit accepter tout brouillage radioélectrique subi, même si le brouillage est susceptible d'en compromettre le fonctionnement.

EMF

To maintain compliance with the RF exposure requirement, a separation distance of 20 cm between the device and the human should be maintained.

Alarm information in France (IC)

Déclaration d'exposition Attention: Cet émetteur doit être installé pour fournir une distance de séparation d'au moins 20 cm de toute personne.

Thailand Warning Message

คำเตือน: โปรดอ่านคู่มือการใช้งานก่อนใช้ผลิตภัณฑ์นี้ และปฏิบัติตามข้อกำหนดความปลอดภัยที่ระบุไว้ในคู่มือการใช้งานอย่างเคร่งครัด

Specifications

smartphone gimbal	
Model	RSSYT02
Compatible phone width	65-88mm
SIZE	Length×Width×Height = 145mm(L)X 38mm(W)X 152mm(H)
Weight	About 381g
colour	Black
specification	SV 1.5A 7.5W
battery	Li-ion Cylindrical Rechargeable Battery Model: N031-1S1P (3000mAh 3.7V 11.1Wh)
wireless mode	Low power Bluetooth (BLE) 5.0
Working frequency	2400-2483.5MHz
EIRP	< 5dbm
Working temp	0°C-40°C (32°F- 104°F)
Charging temp	10-35°C (50°F- 113°F)

免責声明

本説明書の最終的な解釈権はにあります。本説明書のインストール、操作の誤りについては一切保証せず、偶発的および必然的の損壊については法的責任を一切負いません。本説明書に含まれる内容は著作権法で保護されています。著作権は当社に帰属し、事前に書面にて当社の許可を得ていないものについては、本説明書のいかなる部分も、複製、複製、複写及び他の言語に翻訳することを禁じます。

Realseeは予告なく本説明書の内容を変更することができ。本説明書の変更箇所は新しいバージョンの説明書にてご確認ください。当社が提供していないもの及び代理店によるアプリケーションや製品については一切の責任を負いません。

Realseeは以下の事柄について、ジンバルの信頼性、安全性及び性能について責任を負いません。すなわち、組み立て、拡張、再調整、性能改善、修理は全て当社が指定するスタッフまたは機関が行います。製品に付帯する修理や交換を行う際の部品や付属品は全て当社が生産します

本製品をご使用になる前に、本書をお読みください。この製品は子供には適していません。本書を正しく安全にご使用いただくために、ご使用の前に本書の内容をよくお読み頂くと、本書に従ってセッティングをご使用ください。

Declaração

Realsee (Beijing) Technology Co., Ltd. ("A empresa") tem o direito final de interpretar o Manual. A empresa não faz nenhuma forma de garantia para erros de instalação ou operação no Manual, nem tem qualquer responsabilidade legal por danos acidentais ou inevitáveis.

O conteúdo contido neste Manual é protegido pela lei de direitos autorais. Os direitos autorais deste manual são reservados pela empresa. Nenhuma parte deste manual pode ser reproduzida, fotografada, copiada ou traduzida para qualquer outro idioma sem a autorização prévia por escrito da empresa.

Realsee (Beijing) Technology Co., Ltd. tem o direito de modificar o manual sem aviso prévio. A modificação do Manual será incorporada na nova versão.

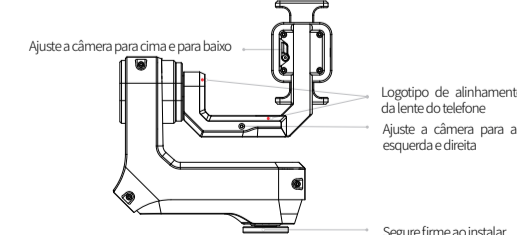
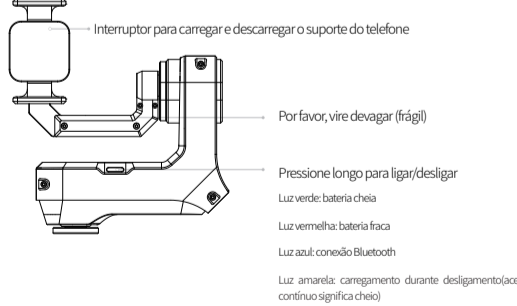
Realsee (Beijing) Technology Co., Ltd. não é responsável por nenhum software ou equipamento não fornecido pela nossa empresa ou pelo distribuidor.

Realsee (Beijing) Technology Co., Ltd. apenas acredita que deve ser responsável pela confiabilidade, segurança e desempenho do Realsee Gimbal nas seguintes situações, que incluem: montagem, expansão, reajuste, melhoria de desempenho e manutenção que são operados por pessoal ou organizações autorizadas pela empresa. Todas as peças de manutenção e substituição e acessórios anexados ou integrados ao são produzidos pela empresa.

Leia este manual e familiarize-se com as funções do produto antes de usá-lo. Este produto não é adequado para crianças. Para garantir o uso correto e seguro do produto, leia atentamente o conteúdo deste manual antes da instalação, configuração e uso, e siga estritamente o conteúdo do manual.

Introdução de produto

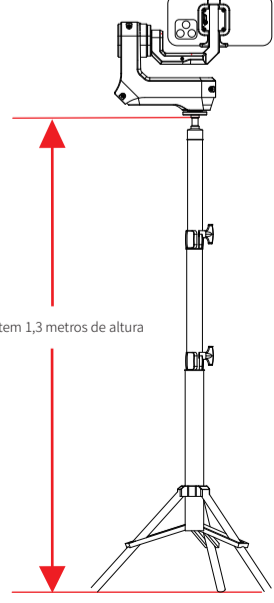
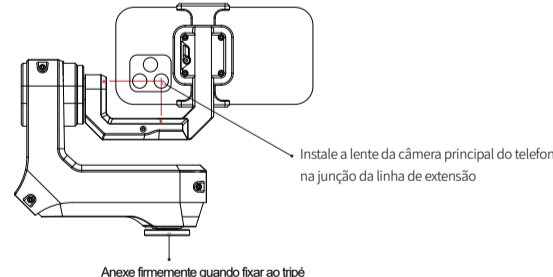
O smartphone gimbal é o produto principal do Kit de Aquisição Realsee VR. Design de eixo duplo, com uso de tripé, para que o telefone possa ser instalado para rotação estável de 360 graus, aquisição completa de VR.



【Realsee VR APP download】

Acesse o site oficial (https://realsee.ai), baixe e instale o aplicativo Realsee VR e use o smartphone gimbal de acordo com o conteúdo de vídeo instrucional que está disponível no site, ou por meio de um representante do Realsee.

Introdução de produto



Orientações de segurança

⚠【Aviso】

- O smartphone gimbal não é à prova d'água. Não deixe o Gimbal tocar em nenhum líquido. Recomenda-se limpar o suporte com um pano macio e seco.
- É proibido desmontar o produto de qualquer forma. A bateria não é removível. Se a bateria for perfurada durante a desmontagem, o eletrólito dentro da bateria vazará e até mesmo causará incêndio e explosão.
- O smartphone gimbal é produto de alta precisão. Impacto mecânico, colisão, rolamento ou arremesso são proibidos. Não coloque objetos pesados sobre o produto.
- É proibido torcer manualmente o eixo superior do Gimbal.
- O carregamento é proibido ao usar o Gimbal.
- Por favor, use o produto no ambiente antes que a temperatura seja de 0-40 graus centígrados.

⚠【Atenção】

- O Gimbal está equipado com linha de carregamento Tipo-C. Use outros adaptadores de terceiros que estejam em conformidade com os regulamentos e padrões de segurança internacionais e regionais relevantes para carregar o Gimbal. Há risco de morte ou ferimentos ao carregar usando adaptadores que não atendem aos padrões de segurança relevantes. Use um cabo ou adaptador danificado, ou carregar em um ambiente úmido, pode causar incêndio, choque elétrico, ferimentos ou danos ao Gimbal ou outra propriedade. Antes de inserir o plugue de alimentação do adaptador de alimentação na tomada, certifique-se de que o plugue de CA ou o cabo de alimentação estejam totalmente inseridos no adaptador de alimentação.

- Se o Gimbal precisar ser consertado, danificado, com defeito ou em contato com líquido, entre em contato com nossa empresa ou centro de reparo autorizado, como provedor de serviços autorizado de Belki. Se você tentar desmontar o Gimbal, poderá causar danos e tais danos não são cobertos pela garantia.

Especificações

smartphone gimbal	
Modelo	RSSYT02
Largura aplicável de telefone	65-88mm
Tamanho	Comprimento×largura×altura = 145mm×38mm×152mm
Peso (incluindo bateria)	Cerca de 381g
Cor	Preto
Especificação	SV 1.5A 7.5W
Bateria	Bateria de íon de lítio Modelo: N031-1S1P (3000mAh 3.7V 11.1Wh)
Modo sem fio	Baixa potência de energia (BLE) 5.0
Frequência de trabalho	2400-2483.5MHz
EIRP	< 5dbm
Temperatura de trabalho	0°C-40°C (32°F- 104°F)
Temperatura ambiente de carregamento	10°C-45°C (50°F-113°F)

Este equipamento não tem direito à proteção contra interferência prejudicial e não pode causar interferência em sistemas devidamente autorizados. Para maiores informações, consulte o site da ANATEL – https://www.gov.br/anatel