

平面印刷品基本技术要求			
科沃斯机器人股份有限公司			
物料名称	T30 系列高低配版说明书 - 美国 - 认证	尺 寸	145*210mm
型 号	ZJ2310	印刷颜色	单色 K
物料编码	451-2310-****	装订方式	骑马钉
版 次	S00	页 数	36p
材 质	封面 157 哑粉纸 + 内页 80g 双胶纸	比 例	1:1
变更记录:			
	设计	审核	批准
			



DEEBOT

Instruction Manual/Manuel d'instructions

IMPORTANT SAFETY INSTRUCTIONS

IMPORTANT SAFETY INSTRUCTIONS READ ALL INSTRUCTIONS BEFORE USING THIS APPLIANCE.

When using an electrical appliance, basic precautions should always be followed, including the following:

WARNING: Read all safety warnings and instructions.

Failure to follow the warnings and instructions may result in electric shock, fire or serious injury.

1. Do not allow to be used as a toy. Close attention is necessary when used by or near children.
2. Clear the area to be cleaned. Remove power cords and small objects from the floor that could entangle the Appliance. Tuck rug fringe under the rug base, and lift items such as curtains and tablecloths off the floor.
3. If there is a drop off in the cleaning area due to a step or stairs, you should operate the Appliance to ensure that it can detect the step without falling over the edge. It may become necessary to place a physical barrier at the edge to keep the unit from falling. Make sure the physical barrier is not a trip hazard.

4. Only use as described in this manual. Only use attachments recommended or sold by the manufacturer.
5. Do not handle plug or appliance with wet hands.
6. Non-rechargeable batteries are prohibited.
7. Do not use without dust bin and/or filters in place.
8. Do not operate the vacuum in an area where there are lit candles or fragile objects on the floor to be cleaned.
9. Do not use and store in extremely hot or cold environments (below -5°C / 23°F or above 40°C / 104°F). Please charge the robot in temperature above 0°C / 32°F and below 40°C / 104°F .
10. Keep hair, loose clothing, fingers, and all parts of body away from any openings and moving parts.
11. Do not operate the Appliance in a room where an infant or child is sleeping.
12. For INDOOR use ONLY. Do not use the Appliance in outdoor, commercial or industrial environments. Do not use Appliance on wet surfaces or surfaces with standing water.
13. Do not allow the Appliance to pick up large objects like stones, large pieces of paper or any item that may clog the Appliance.

14. Do not use to pick up flammable or combustible materials such as gasoline, printer or copier toner, or use in areas where they may be present.
15. Do not pick up anything that is burning or smoking, such as cigarettes, matches, hot ashes, or anything that could cause a fire.
16. Do not put any object into openings. Do not use with any opening blocked; keep free of dust, lint, hair, and anything that may reduce air flow.
17. Take care not to damage the power cord. Do not pull on or carry the Appliance or Docking Station by the power cord, use the power cord as a handle, close a door on the power cord, or pull power cord around sharp edges or corners. Do not run Appliance and Docking station over the power cord. Keep power cord away from hot surfaces. Do not unplug by pulling on cord. To unplug, grasp the plug, not the cord.
18. If the power cord is damaged, it must be replaced by the manufacturer or its service agent in order to avoid a hazard.
19. Do not use with a damaged power cord or plug. Do not use the Appliance or Docking Station if it is not working properly, has been dropped, damaged, left outdoors, or come in contact with water. It must be repaired by the manufacturer or its service agent in order to avoid a hazard.
20. Turn OFF the power switch before cleaning or maintaining the Appliance. Turn off all controls before unplugging. Always turn off this appliance before connecting or disconnecting motorized nozzle.
21. Remove the Appliance from the Docking Station, and turn OFF the power switch to the Appliance before removing the battery for disposal of the Appliance.
22. The battery must be removed and discarded according to local laws and regulations before disposal of the Appliance.
23. Please dispose of used batteries according to local laws and regulations.
24. Do not incinerate the Appliance even if it is severely damaged. The batteries can explode in a fire.
25. When not using the Docking Station, unplug from outlet when not in use and before servicing.
26. The Appliance must be used in accordance

with the directions in this Instruction Manual. ECOVACS ROBOTICS cannot be held liable or responsible for any damages or injuries caused by improper use.

27. Prevent unintentional starting. Ensure the switch is in the off position before connecting to battery pack, picking up or carrying the appliance.
28. When battery pack is not in use, keep it away from other metal objects, like paper clips, coins, keys, nails, screws or other small metal objects, that can make a connection from one terminal to another. Shorting the battery terminals together may cause burns or a fire.
29. Under abusive conditions, liquid may be ejected from the battery; avoid contact. If contact accidentally occurs, flush with water. If liquid contacts eyes, additionally seek medical help. Liquid ejected from the battery may cause irritation or burns.
30. Do not use a battery pack or appliance that is damaged or modified. Damaged or modified batteries may exhibit unpredictable behavior resulting in fire, explosion or risk of injury.
31. Do not expose a battery pack or appliance to fire or excessive temperature. Exposure to fire or temperature above 130°C may cause explosion. The temperature of 130°C can be replaced by the temperature of 265°F.
32. Follow all charging instructions and do not charge the battery pack or appliance outside of the temperature range specified in the instructions. Charging improperly or at temperatures outside of the specified range may damage the battery and increase the risk of fire.
33. Have servicing performed by a qualified repair person using only identical replacement parts. This will ensure that the safety of the product is maintained.
34. Do not modify or attempt to repair the appliance or the battery pack (as applicable) except as indicated in the instructions for use and care.
35. Place the cords from other appliances out of the area to be cleaned.
36. Do not operate the vacuum in a room that has lit candles on furniture that the vacuum may accidentally hit or bump into.
37. Do not allow children to sit on the vacuum.
38. Use only as described in this manual. Use only manufacturer's recommended attachments.

39. Recharge only with the charger specified by the manufacturer. A charger that is suitable for one type of battery pack may create a risk of fire when used with another battery pack.
40. Use appliances only with specifically designated battery packs. Use of any other battery packs may create a risk of injury and fire.
41. The robot contains batteries that are only replaceable by skilled persons. To replace the robot's battery, please contact Customer Service.
42. If the robot will not be used for a long time, fully charge the robot and power OFF for storage and unplug the Docking Station.
43. To Reduce The Risk Of Electric Shock – Do not use on wet surfaces. Do not expose to rain. Store indoors.
44. To Reduce The Risk Of Injury From Moving Parts – Unplug Before Servicing.
45. Risk Of Injury. Brush May Start Unexpectedly. Unplug Before Cleaning or Servicing.
46. To reduce the risk of injury, user must read instruction manual.
47. To Reduce The Risk Of Electric Shock – Do not use outdoors or on wet surfaces.
48. Please make sure your power supply voltage matches the power voltage marked on the Docking Station.
49. Do not use the Docking Station if it is damaged.
50. The plug must be removed from the receptacle before cleaning or maintaining the Docking Station.
51. Connect to a properly grounded outlet only. See Grounding Instructions.

≡	Direct current
~	Alternating current

This Device Complies with DHHS Radiation Rules, 21CFR Chapter 1, Subchapter J.

Federal Communications Commission (FCC) Interference Statement

NOTE: This equipment has been tested and found to comply with the limits for a Class B digital device, pursuant to Part 15 of the FCC Rules.

These limits are designed to provide reasonable protection against harmful interference in a residential installation. This equipment generates, uses and can radiate radio frequency energy and, if not installed and used in accordance with the instructions, may cause harmful interference to radio communications.

However, there is no guarantee that interference will not occur in a particular installation. If this equipment does cause harmful interference to radio or television reception, which can be determined by turning the equipment off and on, the user is encouraged to try to correct the interference by one or more of the following measures:

- Reorient or relocate the receiving antenna.

- Increase the separation between the equipment and receiver.

- Connect the equipment into an outlet on a circuit different from that to which the receiver is connected.

- Consult the dealer or an experienced radio/TV technician for help.

This device complies with Part 15 of the FCC Rules. Operation is subject to the following two conditions:

- (1) This device may not cause harmful interference, and
- (2) this device must accept any interference received, including interference that may cause undesired operation.

Caution: Changes or modifications to this unit not expressly approved by the party responsible for compliance could void the user's authority to operate the equipment.

This device contains licence-exempt transmitter(s)/ receiver(s) that comply with Innovation, Science and Economic Development Canada's licence-exempt RSS(s). Operation is subject to the following two conditions:

- (1) This device may not cause interference.
- (2) This device must accept any interference, including interference that may cause undesired operation of the device.

RF exposure warning

This equipment complies with FCC radiation exposure limits set forth for an uncontrolled environment.


This equipment must be installed and operated in accordance with provided instructions and the antenna(s) used for this transmitter must be installed to provide a separation distance of at least 20 cm from all persons and must not be collocated or operating in conjunction with any other antenna or transmitter.

MPE caution (for mobile device under Part 15.247 & 15.407 device)

To satisfy FCC&ICRF exposure requirements, a separation distance of 20cm or moreshould be maintained between the antenna of this device and persons during device operation.

To ensure compliance, operations at closer than this distance is not recommended.

To disable Wi-Fi module on DEEBOT, power the robot ON. Place the robot on the OMNI Station making sure the Charging Contacts on DEEBOT and the Station Pins make a connection.

Press and hold the  Button on the Station for 30 seconds. And press and hold the AUTO Mode Button on the robot for 30 seconds.

To enable Wi-Fi module on DEEBOT, power the robot OFF and then power ON. And unplug the Station and plug it again.

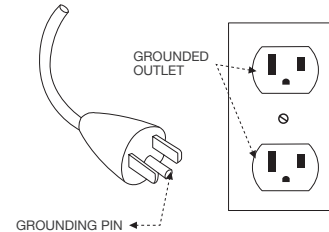
SAVE THESE INSTRUCTIONS

GROUNDING INSTRUCTIONS

This appliance must be grounded. If it should malfunction or breakdown, grounding provides a path of least resistance for electric current to reduce the risk of electric shock. This appliance is equipped with a cord having an equipment-grounding conductor and grounding plug. The plug must be inserted into an appropriate outlet that is properly installed and grounded in accordance with all local codes and ordinances.

WARNING – Improper connection of the equipment-grounding conductor can result in a risk of electric shock. Check with a qualified electrician or service person if you are in doubt as to whether the outlet is properly grounded. Do not modify the plug provided with the appliance – if it will not fit the outlet, have a proper outlet installed by a qualified electrician.

This appliance is for use on a nominal 120-V circuit and has a grounding attachment plug that looks like the plug illustrated as the following photo. Make sure that the appliance is connected to an outlet having the same configuration as the plug. No adaptor should be used with this appliance.



For INDOOR household use ONLY.

This device contains licence-exempt transmitter(s)/ receiver(s) that comply with Innovation, Science and Economic Development Canada's licence-exempt RSS(s).

Operation is subject to the following two conditions:

- (1) This device may not cause interference.
- (2) This device must accept any interference, including interference that may cause undesired operation of the device.

To satisfy FCC&ICRF exposure requirements, a separation distance of 20cm or more should be maintained between the antenna of this device and persons during device operation.

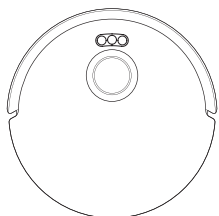
To ensure compliance, operations at closer than this distance is not recommended.

Device Update

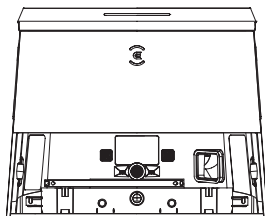
Typically, some devices are updated bi-monthly, but not always so specific.

Some devices, especially those that went on sale more than three years ago, will only be updated if a critical vulnerability is found and fixed.

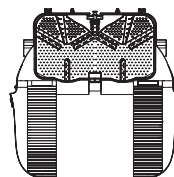
PACKAGE CONTENTS



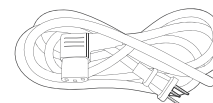
Robot



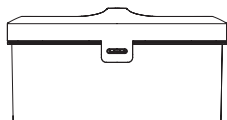
OMNI Station



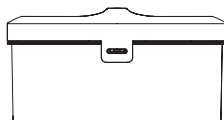
Base



Power Cord



Clean Water Tank



Dirty Water Tank



Side Brush



Instruction Manual

Note:

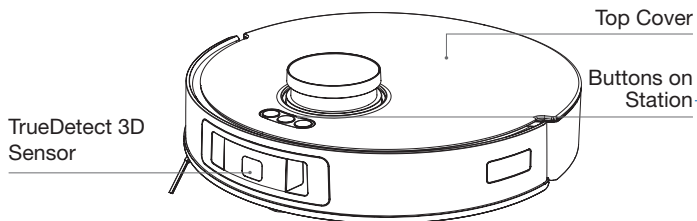
* Figures and illustrations are for reference only and may differ from actual product appearance. Product design and specifications are subject to changes without notice.

* Ag+ Antibacterial Module is compatible with the water tank. If you wish to purchase, please visit ECOVACS HOME App or <https://www.ecovacs.com/global>.

* ECOVACS Automatic Water Refill/Drain Module is compatible with the OMNI Station. If you wish to purchase, please visit ECOVACS HOME App or <https://www.ecovacs.com/global>.

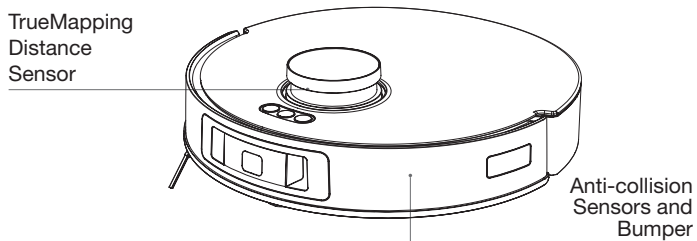
PRODUCT DIAGRAM

Robot



Buttons on DEEBOT

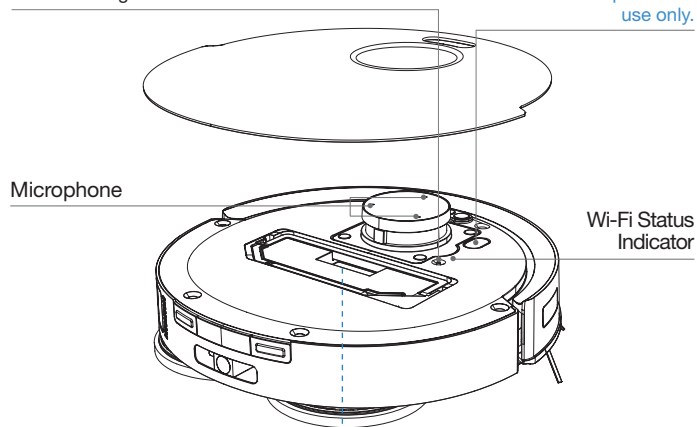
-
- | | |
|--|---|
| <ul style="list-style-type: none"> Long press: Self-clean Long press: Power on/Power off Long press: Child Lock | <ul style="list-style-type: none"> Short press: Exit/Return to the Station Short press: Start/Pause/Continue Short press: Start/End Spot Cleaning |
|--|---|



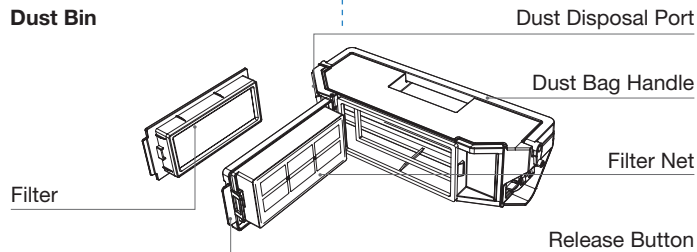
RESET Button

Restore to default settings: Press and hold RESET button for 5 seconds. After you hear the voice prompt, the startup music will be played and the robot will be restored to default settings.

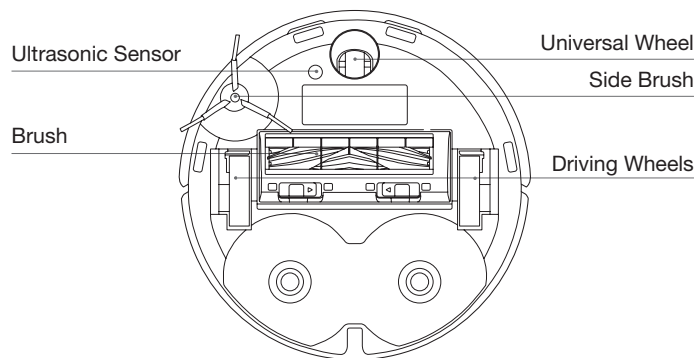
Data Transfer Port
For professional maintenance personnel use only.



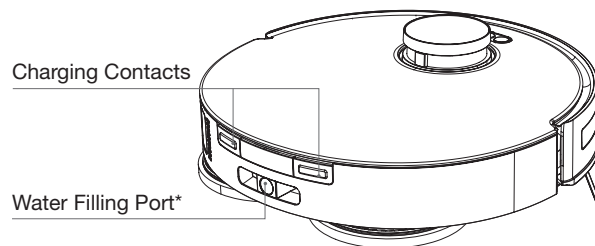
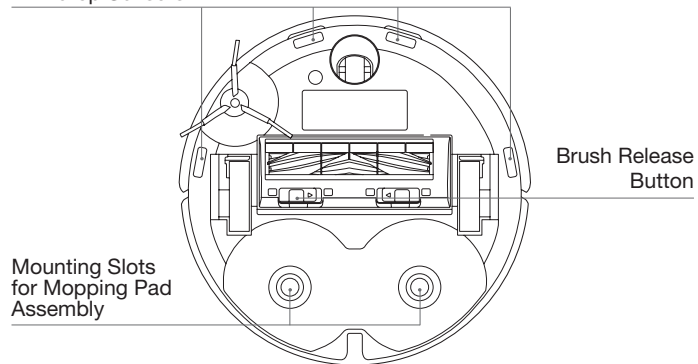
Dust Bin



Bottom View

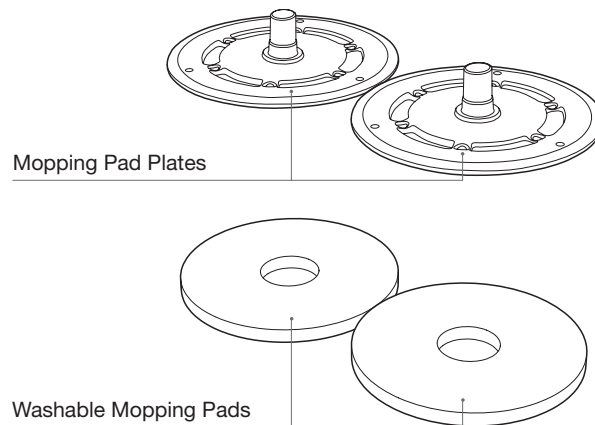


Anti-drop Sensors



* Due to different product configurations, there may be models without a water filling port.

Mopping Pad Assembly



OMNI Station

Note:

* If the Light Strip is flashing red, please check the reason in ECOVACS HOME App.

* If DEEBOT fails to charge, please wipe Charging Contacts with a clean and dry cloth.

Light Strip

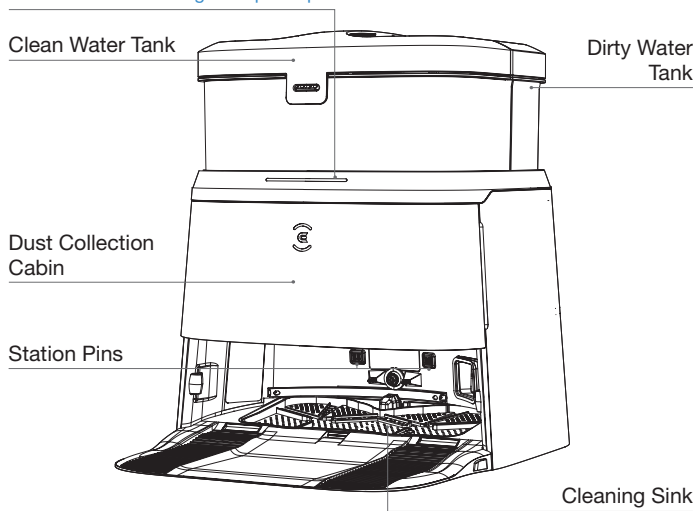
Glowing Blue(Low brightness): Standby

Glowing Blue: Running/Self-clean

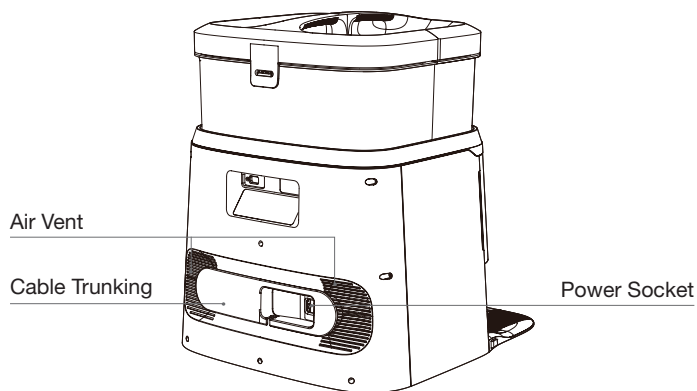
Flashing Blue: DEEBOT and App are unconnected

Flashing Red: Malfunction

Goes out: Power Outage/Deep Sleep Mode

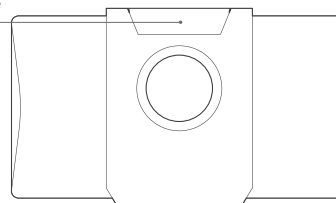


OMNI Station(Back)



Dust Bag

Dust Bag Handle

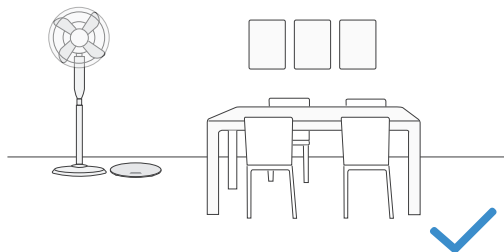


SENSORS

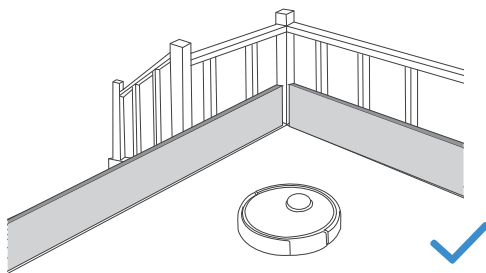
Name	Functional Description
TrueMapping Distance Sensor	With Laser Ranging-measuring the distance between DEEBOT and surroundings through the time difference of reflection, it can map according to the objects around while DEEBOT is moving. Detection of 10m.
TrueDetect 3D Sensor	The TrueDetect 3D structured light sensor scans the object with a line laser and collect images with a monocular camera, and generates the three-dimensional coordinates of the object through image algorithms to identify the size of the object. The detection distance is 0.35m
Microphone	Vibrating the diaphragm through air by human voice, it can realize Voice Recording and ask DEEBOT to complete the assigned work by Voice Control. Effective wake of 8m
Anti-drop Sensor	With Infrared Ranging-detecting the distance between the bottom of DEEBOT and ground by Infrared Sensor at the bottom, DEEBOT will not move forward when there are stairs in front or the identified distance exceeds the preset one, realizing the Anti-drop. The trigger distance is 60mm.
Carpet Detection Sensor	The difference in energy of the ultrasonic echo signal on different surfaces is used to identify the floor material and help DEEBOT to adjust the cleaning strategy automatically. Drive frequency 290KHZ.
Edge Sensor	With ToF distance measurement, DEEBOT can detect the distance between itself and objects on its right side. When there is a wall or obstacle on the right side, DEEBOT will perform edge cleaning to avoid missing spots or collisions.

NOTES BEFORE CLEANING

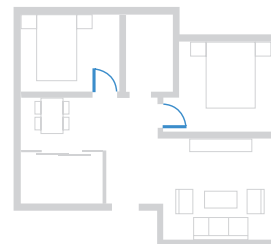
Tidy up the area to be cleaned by putting furniture, such as chairs, in their proper place.



It may be necessary to place a physical barrier at the edge of a drop to stop the unit from falling over the edge.



During the first use, make sure each room door is open to help DEEBOT fully explore your house.



Put away objects including cables, cloths and slippers, etc. on the floor to improve the cleaning efficiency.



Before using the product on a rug with tasseled edges, please fold the rug edges under.



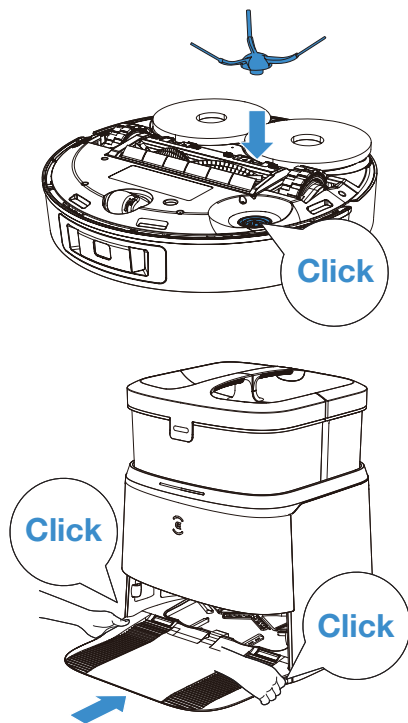
Please do not stand in narrow spaces, such as hallways, and make sure not to block the TrueMapping Distance Sensor.

QUICK START

Before using DEEBOT, please remove all protective materials.

Installation

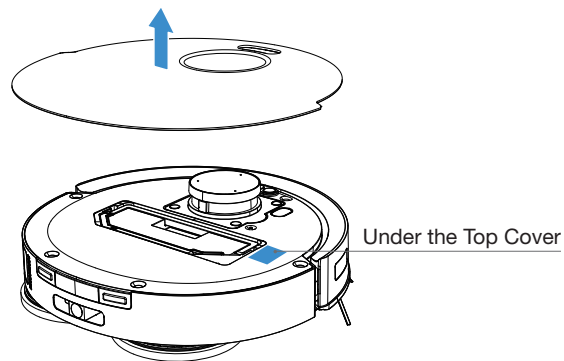
The sound of Click indicates proper installation.



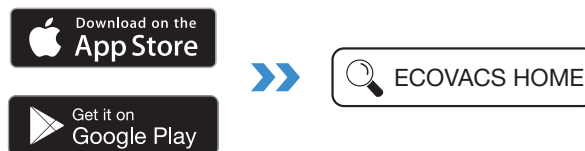
DOWNLOAD THE ECOVACS HOME APP

To enjoy all available features, it is recommended to control your DEEBOT via the ECOVACS HOME App.

1. Scan the QR Code under the Top Cover to download the App.


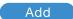


2. Search the ECOVACS HOME to download the App.



CONNECT DEEBOT WITH APP

1. Via Bluetooth:

Turn on the DEEBOT and mobile phone Bluetooth. Allow the App to obtain mobile phone Bluetooth permission. Tap  to scan the QR Code on DEEBOT or tap  in the App to find nearby DEEBOT.

2. Via Wi-Fi:


You can connect DEEBOT with App via Wi-Fi by ignoring Bluetooth in the App.

Note: Please select the appropriate connecting method.

Wi-Fi Network Requirements:

- You are using a 2.4GHz or 2.4/5 GHz mixed network.
- Your router supports 802.11b/g/n and IPv4 protocol.
- Do not use a VPN (Virtual Private Network) or Proxy Server.
- Do not use a hidden network.
- WPA and WPA2 using TKIP, PSK, AES/CCMP encryption.
- WEP EAP (Enterprise Authentication Protocol) is not supported.
- Use Wi-Fi channels 1-11 in North America and channels 1-13 outside North America (refer to local regulatory agency).
- If you are using a network extender/repeater, the network name (SSID) and password are the same as your primary network.
- Please enable the WPA2 on your router.

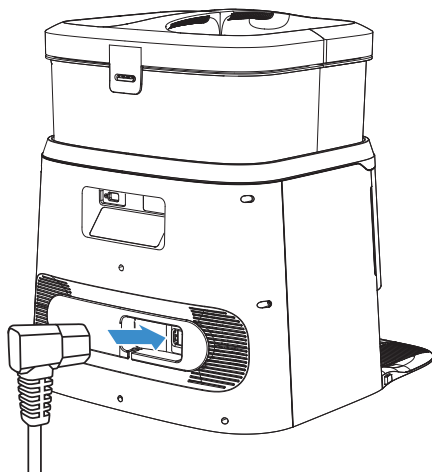
Wi-Fi Indicator Light

	Flashing Blue Light	Disconnected to Wi-Fi
	Solid Blue Light	Connected to Wi-Fi

Please be aware that the realization of intelligent functions such as remote startup, voice interaction, 2D/3D map display and control settings, and personalized cleaning (depending on different products) requires users to download and use ECOVACS HOME App, which is constantly updated. You need to agree to our Privacy Policy and User Agreement before we can process some of your basic and necessary information and enable you to operate the product. If you do not agree with our Privacy Policy and User Agreement, some of the aforementioned intelligent functions cannot be realized through ECOVACS HOME App, but you can still use the basic functions of this product for manual operation.

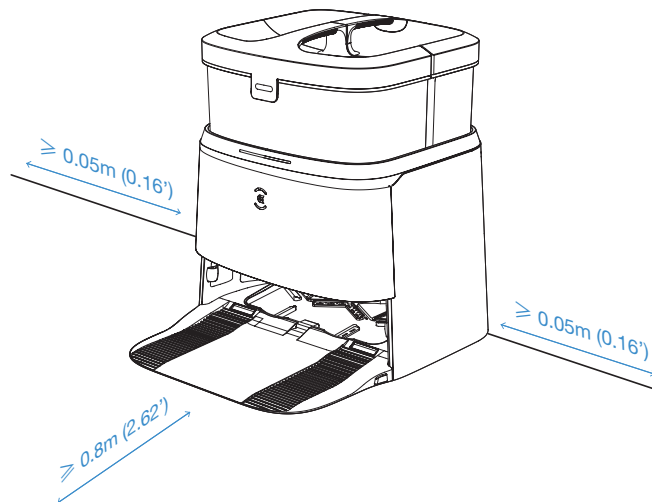
CHARGE DEEBOT

1 Assemble the Station



2 Place the Station

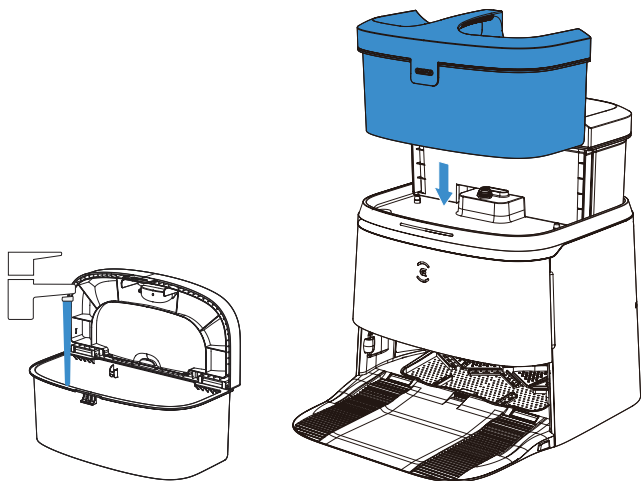
Keep the area around the Station clear of objects especially objects with reflective surfaces.



Note:

- If there are reflective objects such as mirrors and reflective skirting lines near the Station, the bottom 14cm of that should be covered.
- Do not place the Station under direct sunlight.
- It is recommended to place the Station on the hard floor to experience complete functions of the robot.
- Place Station in a location with a strong Wi-Fi signal.

3 Use Tanks



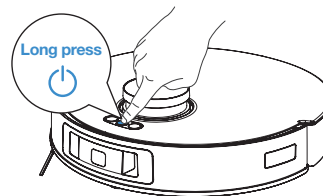
Note:

- * It is recommended to use ECOVACS DEEBOT Cleaning Solution (sold separately). Using other cleaning solution may cause DEEBOT slipping, water tank block and other problems.
- * The water drops in the Water Tank are left over from the function test, please rest assured to use.

4 Power ON

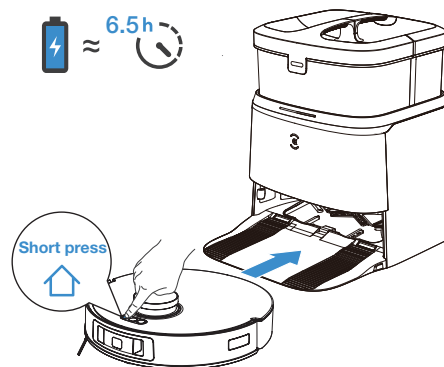
Long press  to power ON.

- DEEBOT cannot be charged when being powered OFF.
- When DEEBOT is not working, it is recommended to keep it powered ON and charging.



5 Charge DEEBOT

Short press  to recall DEEBOT to enter the Station to charge.



- It is recommended that DEEBOT start cleaning from the Station. Do not move the Station while cleaning.


OPERATE DEEBOT

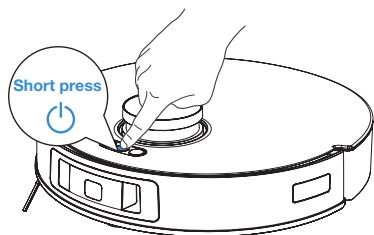
When creating a map for the first time, please follow DEEBOT to help eliminate some minor issues.

For example, DEEBOT may get stuck under the furniture. Please refer to the following solutions:



1. Raise the low sitting furniture if possible;
2. Cover the bottom of the furniture;
3. Set up Virtual Boundary via the App.

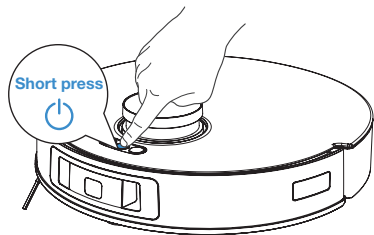
1 Start

Short press  to start. For the first-time cleaning, please ensure that DEEBOT is fully charged.



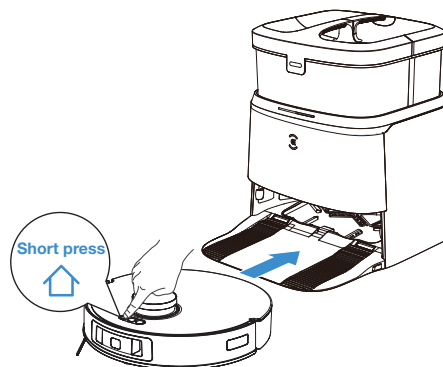
2 Pause/Wake up

Short press  to pause. The indicator light will go out after the DEEBOT is paused for a few minutes. Press the  on DEEBOT to wake it up.



3 Back to Station

Short press  to recall DEEBOT to the OMNI Station.

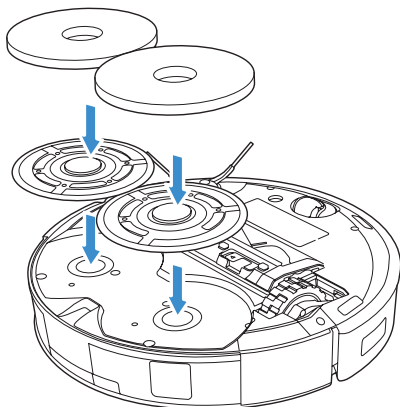


Note: When DEEBOT is not working, it is recommended to keep it powered ON and charging.


MOPPING

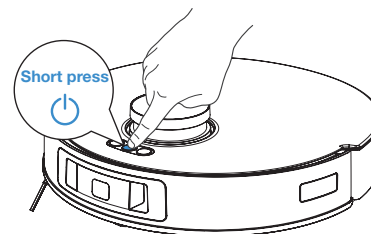
1 Attach the Mopping Pads and Mopping Pad Plates

You would hear a “click” when the Mopping Pad Plates are properly installed.



2 Mop

Short press  to start mopping.



Note:

1. Do not frequently remove washable mopping pads.
2. Do not scratch the Mopping Pad Plates with a rag or any other object.
3. When the ECOVACS HOME App prompts that the mops need to be replaced, please replace them in time.

Explore more accessories at ECOVACS HOME App or at <https://www.ecovacs.com/global>.

REGULAR MAINTENANCE

To keep DEEBOT running at peak performance, perform maintenance tasks and replace parts at the following frequencies:

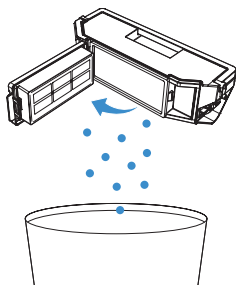
Robot Part	Maintenance Frequency	Replacement Frequency
Washable Mopping Pad	/	Every 1-2 months
Dust Bag	/	Replace when voice prompts
Side Brush	Once every 2 weeks	Every 3-6 months
Brush	Once per week	Every 6-12 months
Filter	Once per week	Every 3-6 months
TrueDetect 3D Sensor TrueMapping Distance Sensor Universal Wheel Anti-Drop Sensors Bumper Charging Contacts	Once per week	/
Cleaning Sink	Once every 2 weeks	/
Clean Water Tank	Once every 3 months	/
Dirty Water Tank	After each mopping	/
Filter (Cleaning Sink)	Once per month	/
Dust Collection Cabin	Once per month	/
OMNI Station	Once per month	/

Before performing cleaning and maintenance tasks on DEEBOT, turn the robot OFF and unplug the OMNI Station.

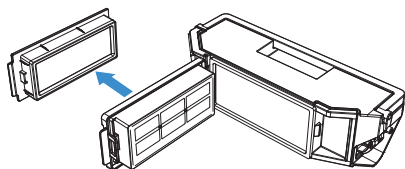
Note: ECOVACS manufactures various replacement parts and fittings. Please contact Customer Service for more information on replacement parts.

MAINTAIN DUST BIN AND FILTER

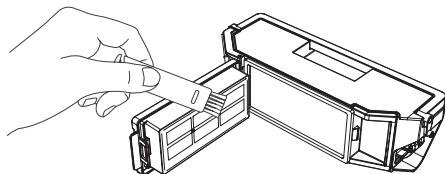
1



2

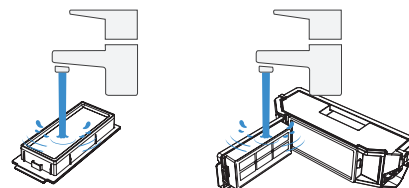


3



Note: Maintenance tools are not included. Please clean with your own brush or similar tools at home.

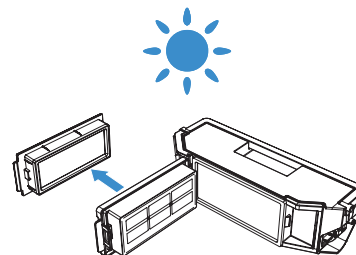
4



Note:

1. Please rinse the filter with water as shown above.
2. Do not use finger or brush to clean the filter.

5



Note: Completely dry the filter before use.

Explore more accessories at ECOVACS HOME App or at <https://www.ecovacs.com/global>.