

KICKSTAND KARAOKE SPEAKER
WITH LED LIGHTS
M/N:TS-1/1865

INSTRUCTION MANUAL

PLEASE READ ALL INSTRUCTIONS CAREFULLY AND
RETAIN FOR FUTURE USE

GETTING STARTED

- Remove the speaker from the box.
- Remove any packaging from the speaker.
- Please retain all packaging until you have checked and counted all the parts and the contents against the Package Contents list.

PACKAGE CONTENTS

- Kickstand Karaoke Speaker With Led Lights
- USB Charging Cable
- Function Remote
- Microphone
- Instruction Manual

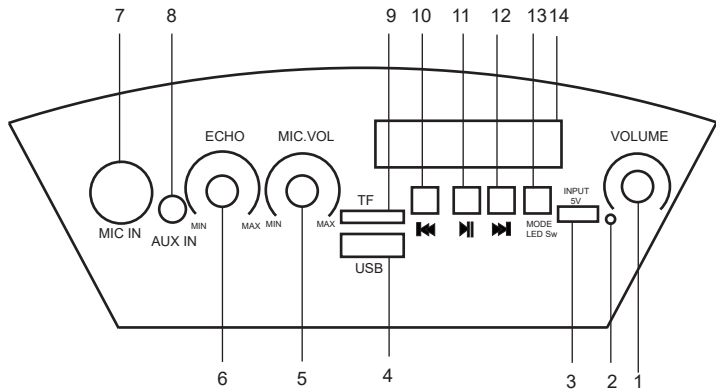
PRODUCT FEATURES

- Kickstand Karaoke Speaker
- Built-in Bluetooth
- Multi-function speaker – supports USB flash drive, Micro SD card, Bluetooth, FM radio, Aux jack & Microphone input
- LED display
- Built-in rechargeable battery
- USB recharge cable included

SAFETY INSTRUCTIONS

- Keep the unit away from heat sources, direct sunlight, humidity, water and any other liquids.
- Do not use the unit if it has been dropped or damaged in any way.
- Repairs to electrical equipment should only be performed by a qualified electrician. Improper repairs may place the user at serious risk.
- Do not use the unit with wet hands.
- Do not put objects into any of the openings.
- Keep the unit free from dust, lint etc.
- Do not use this unit for anything other than its intended use.
- Keep the unit out of reach of children.
- This unit is not a toy.

Description of Parts



1	POWER SWITCH / VOLUME KNOB	8	AUX IN: EXTERNAL AUDIO INPUT
2	CHARGING INDICATOR	9	MICRO SD(TF) SLOT: MICRO SD (TF) CARD INPUT
3	DC 5V IN: CHARGING INPUT	10	PREVIOUS TRACK/STATION: SKIP TO THE PREVIOUS TRACK / STATION
4	USB SLOT: USB INPUT (FLASH DRIVE)	11	PLAY/PAUSE/SCAN: PLAY/PAUSE, SCAN FM RADIO STATIONS(ONLY IN FM MODE)
5	MICROPHONE VOLUME KNOB	12	NEXT TRACK/STATION: SKIP TO THE NEXT TRACK / STATION
6	MICROPHONE ECHO KNOB	13	MODE / LIGHT BUTTON
7	MIC INPUT: MICROPHONE INPUT	14	LED DISPLAY: DISPLAY THE OPERATION

INSTRUCTIONS FOR USE

Charging the Kickstand Karaoke Speaker

For best results, fully charge the unit before use.

1. Connect the USB cord (included) to the charging port of the speaker and insert the other end into a port on your computer or similar power source.
2. Charging Indicator turns RED while charging, and turns off when fully charged.

Note: Before using the unit for the first time, please charge it for around 3-4 hours or until the Charging Indicator turns off.

Turn On/Off the Speaker

Rotate the POWER KNOB from OFF position to ON position to turn on the unit with colour changing LED lights, or Rotate to OFF position to turn off the unit.

Pairing your device with the Speaker –

Your Kickstand Karaoke Speaker can stream wireless audio from any Blue - tooth enabled device within the range of 27-33 Feet. Simply follow the below steps.

1. Turn ON the speaker.
2. Turn on the Bluetooth on your Mobile Phone or Tablet or Computer.
3. It will search for available Bluetooth devices.
4. Kickstand Karaoke Speaker would appear as "SL - KICKSTAND" in the list of searched devices. Select it from the available list of devices.
5. Once paired successfully, another indication tone would be heard.
6. If you fail to pair it within a few seconds or you want to pair it with a new device, please repeat above steps.

Play your favorite song on the Bluetooth source device and music would now stream through the speaker.

Listening to Wireless Music

Please ensure that your device (iPhone, Tablet or Other Smart Phone) is paired with the speaker to stream wireless music. Once it is paired, play music from your device.

Function	Operation	Button
Increase / Decrease Volume	Playing music	Turn VOLUME KNOB to adjust the volume to your desired level, or Adjust volume from the source device (in Bluetooth mode only).
Pause	Playing music	Short press PLAY/PAUSE/SCAN button once to pause music
Play	Pause	Short press PLAY/PAUSE/SCAN button once to resume music
Previous track	Playing music	Short press the PREVIOUS TRACK/STATION button to the previous track
Next track	Playing music	Short press the NEXT TRACK/STATION button to the next track

Listening to Music using USB / Micro SD (TF) Card Slot

1. Turn on the speaker.
2. Insert USB flash drive into the USB slot or Micro SD (TF) card into the Micro SD (TF) card slot accordingly. Music would play automatically with LED display showing USB/TF, track number & music time.
3. Short press the NEXT TRACK/STATION button or PREVIOUS TRACK/STATION button to move forward or backward on your playlist.
4. Short press PLAY/PAUSE/SCAN button to Play or Pause a track.

Listening to Music using AUX-In

1. Turn on the speaker.
2. Short press the MODE button repeatedly, until it reaches AUX mode.
3. Plug the 3.5 mm Aux-in cable (not included) into the AUX-In port of the speaker.
4. Plug the other end of the cable to the audio device (such as computer / tablet / MP3 Player etc.).
5. Select your favorite song at the source device to play.
(Note: While using AUX-In function, all functions such as playing next / previous track can be controlled only through your source device).

Listening FM radio

1. Turn on the speaker.
2. Short press the MODE button repeatedly, until it reaches FM radio mode, LED display will show 'FM' with a radio frequency with sound.
3. Press the PLAY/PAUSE/SCAN button for searching and recording all radio stations within frequency range 87.5-108MHz
4. Short press the NEXT TRACK/STATION button or PREVIOUS TRACK/STATION button for listening next or previous already saved radio station.

Tips!!

1. Short press the MODE button to switch different functions of the speaker. The functions are – Bluetooth / FM radio / AUX / USB-Micro SD (TF).
2. When the speaker is not in use, turn OFF the device to save the battery power.
3. Do not overcharge the speaker.

Colour changing LED lights in front of speaker

1. Turn on the speaker.
2. Long press the "LIGHT" button can turn on/off the colour changing LED lights.

Using the Microphone

1. Insert the plug of the Microphone(included) into the MIC INPUT of the speaker.
2. Turn on the Microphone, and speak for microphone operation or sing for Karaoke operation.
3. Turn MIC.VOL/ECHO knob to adjust the volume/echo of the microphone.

Do's and Don'ts

- Do not play music at excessive levels as damage to hearing and/or equipment may result.
- Do not use outdoors in wet or in damp surroundings.

Care and maintenance

Clean the unit with a soft, dry cloth. Never use chemicals or hard abrasives. Keep this unit away from wet or damp surroundings.

Product Specifications:

Bluetooth version: 5.0

Speaker size: 8.0"

Unit size: 10.63"(L) x 8.67"(W) x 16.93"(H)

Unit weight : ~5.5 lb

Power input: DC 5V

Charging Time: 3-4 hours

Bluetooth range: 27 - 33 Feet

FM frequency range: 87.5-108MHz

Built-In Rechargeable Lithium Battery: 1800mAh

TROUBLESHOOTING

Problem	Possible Cause	Solution
Low sound level	Source (Tablet, Mobile Phone, Laptop, etc.) volume too low. Battery dead	Adjust source volume. Charge Battery.
No sound	Volume in minimum position. The connected device is not in play mode. Input source incorrect.	Turn VOLUME knob to increase the volume. Play the music in the connected device and make sure the volume level is in high level. Press the MODE button to set the input source to the desired function.
Sound distortion	Volume level too high	Turn VOLUME knob to decrease the volume.

Limited Warranty

This manufacturer's product warranty extends to the original consumer purchaser of the product. Neither the retailer nor any other company involved in the sale or promotion of this product is a co-warrantor of this manufacturer warranty.

WARRANTY DURATION: All materials and workmanship are warranted to the original consumer purchaser for a period of ninety (90) days from the original purchase date.

WARRANTY COVERAGE: This product is warranted against defective materials or workmanship. This warranty is void if the product has been damaged by accident, in shipment, unreasonable use, misuse, neglect, improper service, commercial use, repairs by unauthorized personnel or other causes not arising out of defects in materials or workmanship. This warranty doesn't cover the following which may be supplied with this product, including but not limited to; LCD Screens, glass parts, lenses, bulbs etc. This warranty is effective only if the product is purchased and operated in USA and Canada, and does not extend to any units which have been used in violation of written instructions furnished by manufacturer or to units which have been altered or modified or, to damaged products or parts thereof which have had the serial number removed, altered, defaced or rendered illegible.

WARRANTY DISCLAIMERS: This warranty is in lieu of all warranties expressed or implied and no representative or person is authorized to assume for manufacturer any other liability in connection with the sale of our products. There shall be no claims for defects or failure under any theory of tort, contractor commercial law including but not limited to, negligence, gross negligence, strict liability, breach of warranty and breach of contract. Under no circumstances will Manufacturer's / Distributor's maximum liability exceed the retail value of the product.

WARRANTY PERFORMANCE: During the above 90 day warranty period, a product with a defect will be either repaired or replaced with a reconditioned comparable model (at manufacturer's option). The repaired or replacement product will be in warranty for the balance of the 90 day warranty period and an additional one-month period. No charge will be applicable for such repair or replacement.

NOTE: Manufacturer cannot assume responsibility for loss or damage during incoming shipment. As a precautionary measure, carefully package the product for shipment, and insure it with the carrier. Be sure to enclose the following details with the product: your full name, return address and daytime phone number, a note describing the problem you experienced, a copy of your sales receipt or other proof of purchase to determine warranty status. C.O.D. shipments cannot be accepted.

FCC Statement

This device complies with Part 15 of the FCC rules. Operation is subject to the following two conditions: 1) this device may not cause harmful interference, and 2) this device must accept any interference received, including interference that may cause undesired operation.

Note: This equipment has been tested and found to comply with the limits for a Class B digital device, pursuant to part 15 of the FCC Rules. These limits are designed to provide reasonable protection against harmful interference in a residential installation.

This equipment generates uses and can radiate radio frequency energy and, if not installed and used in accordance with the instructions, may cause harmful interference to radio communications. However, there is no guarantee that interference will not occur in particular installation. If this equipment does cause harmful interference to radio or television reception, which can be determined by turning the equipment off and on, the user is encouraged to try to correct the interference by one or more of the following measures:

- Reorient or relocate the receiving antenna.
- Increase the separation between the equipment and receiver.
- Connect the equipment into an outlet on a circuit different from that to which the receiver is connected.
- Consult the dealer or an experienced radio/TV technician for help.

Changes or modifications not expressly approved by the party responsible for compliance could void the user's authority to operate the equipment.

FCC RF Radiation Exposure Statement

The device has been evaluated to meet general RF exposure requirement. The device can be used in portable exposure condition without restriction.