



# FCC TEST REPORT

## FCC ID:2A5ZM-W05

**Report Number** ..... : ZKT-2210087362E

**Date of Test** ..... Oct. 18, 2022 to Nov. 14, 2022

**Date of issue** ..... : Nov. 14, 2022

**Total number of pages** ..... 23

**Test Result** ..... : PASS

**Testing Laboratory** ..... : **Shenzhen ZKT Technology Co., Ltd.**

**Address** ..... : 1/F, No. 101, Building B, No. 6, Tangwei Community Industrial Avenue, Fuhai Street, Bao'an District, Shenzhen, China

**Applicant's name** ..... : **CYD Electronics (Shenzhen) Co.,Ltd**

**Address** ..... : State E'gongling, Pinghu town, Longgang district Shenzhen,China

**Manufacturer's name** ..... : **CYD Electronics (Shenzhen) Co.,Ltd**

**Address** ..... : State E'gongling, Pinghu town, Longgang district Shenzhen,China

**Test specification:**

**Standard** ..... : FCC CFR Title 47 Part 15 Subpart C

**Test procedure** ..... : /

**Non-standard test method** ..... : N/A

**Test Report Form No.** ..... : TRF-EL-107\_V0

**Test Report Form(s) Originator** .... : ZKT Testing

**Master TRF** ..... : Dated: 2020-01-06

This device described above has been tested by ZKT, and the test results show that the equipment under test (EUT) is in compliance with the FCC requirements. And it is applicable only to the tested sample identified in the report.

This report shall not be reproduced except in full, without the written approval of ZKT, this document may be altered or revised by ZKT, personal only, and shall be noted in the revision of the document.

**Product name** ..... : **Magnetic Wireless Power Bank**

**Trademark** ..... : N/A

**Model/Type reference** ..... : W05

CYD-W05,UNICHG22518,IST-09991,CL72104

Input: DC 5V 3A DC 9V 2A

**Ratings** ..... : Wireless Output: 10W Max

Battery Capacity: 3.85V, 5000mAh, 19.25Wh



**Testing procedure and testing location:**

**Testing Laboratory**.....: **Shenzhen ZKT Technology Co., Ltd.**

**Address**.....: 1/F, No. 101, Building B, No. 6, Tangwei Community Industrial Avenue, Fuhai Street, Bao'an District, Shenzhen, China

**Tested by (name + signature)**.....: Tom Zou

*Tom Zou*

**Reviewer (name + signature)**.....: Jackson Fang

*Jackson Fang*

**Approved (name + signature)**.....: Lake Xie





## TABLE OF CONTENTS

<b>1. VERSION .....</b>	<b>4</b>
<b>2. TEST SUMMARY .....</b>	<b>5</b>
2.1 TEST FACILITY .....	6
2.2 MEASUREMENT UNCERTAINTY .....	6
<b>3. GENERAL INFORMATION .....</b>	<b>6</b>
3.1 GENERAL DESCRIPTION OF EUT .....	7
3.2 Test mode.....	7
3.3 Block Diagram of EUT Configuration .....	8
3.4 Test Conditions.....	8
3.5 Description Of Support Units (Conducted Mode).....	8
3.6 EQUIPMENTS LIST FOR ALL TEST ITEMS .....	9
<b>4. CONDUCTED EMISSION TEST.....</b>	<b>11</b>
4.1 CONDUCTED EMISSION MEASUREMENT .....	11
4.1.1 POWER LINE CONDUCTED EMISSION Limits.....	11
4.1.2 TEST PROCEDURE .....	11
4.1.3 DEVIATION FROM TEST STANDARD.....	11
4.1.4 TEST SETUP.....	12
4.1.5 EUT OPERATING CONDITIONS.....	12
4.1.6 Test Result .....	13
<b>5. RADIATED EMISSION MEASUREMENT .....</b>	<b>15</b>
5.1 Radiated Emission Limits.....	15
5.2 Anechoic Chamber Test Setup Diagram .....	16
5.3 Test Procedure .....	16
5.4 DEVIATION FROM TEST STANDARD .....	16
5.5 Test Result .....	17
<b>6. BANDWIDTH TEST .....</b>	<b>20</b>
<b>7. TEST SETUP PHOTO .....</b>	<b>23</b>
<b>8. EUT CONSTRUCTIONAL DETAILS .....</b>	<b>23</b>



### 1. VERSION

Report No.	Version	Description	Approved
ZKT-2210087362E	Rev.01	Initial issue of report	Nov. 14, 2022



## 2. TEST SUMMARY

Test Item	Section in CFR 47	Result
Antenna requirement	15.203	Pass
AC Power Line Conducted Emission	15.207	Pass
Spurious Emission	15.209(a)(f)	Pass
20dB Bandwidth	15.215	Pass

NOTE:

(1) "N/A" denotes test is not applicable in this Test Report



## 2.1 TEST FACILITY

Shenzhen ZKT Technology Co., Ltd.  
Add. : 1/F, No. 101, Building B, No. 6, Tangwei Community Industrial Avenue, Fuhai Street,  
Bao'an District, Shenzhen, China

FCC Test Firm Registration Number: 692225  
Designation Number: CN1299  
IC Registered No.: 27033

## 2.2 MEASUREMENT UNCERTAINTY

The reported uncertainty of measurement  $y \pm U$ , where expanded uncertainty  $U$  is based on a standard uncertainty multiplied by a coverage factor of  $k=2$ , providing a level of confidence of approximately 95 %.

No.	Item	Uncertainty
1	3m chamber Radiated spurious emission(9KHz-30MHz)	U=4.5dB
2	3m chamber Radiated spurious emission(30MHz-1GHz)	U=4.8dB
3	3m chamber Radiated spurious emission(1GHz-6GHz)	U=4.9dB
4	3m chamber Radiated spurious emission(6GHz-40GHz)	U=5.0dB
5	Conducted disturbance	U=3.2dB
6	RF Band Edge	U=1.68dB
7	RF power conducted	U=1.86dB
8	RF conducted Spurious Emission	U=2.2dB
9	RF Occupied Bandwidth	U=1.8dB
10	RF Power Spectral Density	U=1.75dB
11	humidity uncertainty	U=5.3%
12	Temperature uncertainty	U=0.59°C



### 3. GENERAL INFORMATION

#### 3.1 GENERAL DESCRIPTION OF EUT

Product Name:	Magnetic Wireless Power Bank
Model No.:	W05 CYD-W05,UNICHG22518,IST-09991,CL72104
Model Difference:	Only for different model colour.
Serial No.:	N/A
Hardware version:	H1.0
Software version:	S1.0
Operation Frequency:	115kHz ~ 205KHz
Modulation type:	MSK
Antenna Type:	Inductive loop coil Antenna
Antenna gain:	0dBi
Power supply:	Input: DC 5V 3A DC 9V 2A Wireless Output: 10W Max Battery Capacity: 3.85V, 5000mAh, 19.25Wh

#### 3.2 Test mode

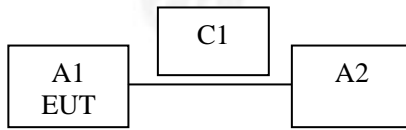
Test Modes:		
Mode 1	AC/DC Adapter (5V/3A) + EUT + iPhone (10W)	
Mode 2	AC/DC Adapter (5V/3A) + EUT + iPhone (5W)	
Mode 3	AC/DC Adapter (9V/2A) + EUT + iPhone (10W)	Record
Mode 4	AC/DC Adapter (9V/2A) + EUT + iPhone (5W)	
Mode 5	Battery (3.85V) + EUT + iPhone (10W)	
Mode 6	Battery (3.85V) + EUT + iPhone (5W)	

Note: All test modes were pre-tested, but we only recorded the worst case in this report.



### 3.3 Block Diagram of EUT Configuration

#### Conducted Emission



#### Radiated Emission



### 3.4 Test Conditions

Temperature: 23~26°C

Relative Humidity: 54~63 %

### 3.5 Description Of Support Units (Conducted Mode)

The EUT has been tested as an independent unit together with other necessary accessories or support units. The following support units or accessories were used to form a representative test configuration during the tests.

Item	Equipment	Mfr/Brand	Model/Type No.	Series No.	Note
E1	Magnetic Wireless Power Bank	N/A	W05	N/A	EUT
A1	iPhone	Apple	DL01	N/A	Auxiliary
A2	AC Adapter	HUAWEI	DL02	N/A	Auxiliary

Item	Shielded Type	Ferrite Core	Length	Note
C1	NO	NO	1.0M	DC cable unshielded

#### Note:

- (1) The support equipment was authorized by Declaration of Confirmation.
- (2) For detachable type I/O cable should be specified the length in cm in 『Length』 column.
- (3) “YES” is means “shielded” “with core”; “NO” is means “unshielded” “without core”.





### 3.6 EQUIPMENTS LIST FOR ALL TEST ITEMS

#### Radiation Test equipment

Item	Equipment	Manufacturer	Type No.	Serial No.	Last calibration	Calibrated until
1	Spectrum Analyzer (9kHz-26.5GHz)	KEYSIGHT	9020A	MY55370835	Oct. 18, 2022	Oct. 17, 2023
2	Spectrum Analyzer (1GHz-40GHz)	R&S	FSQ	100363	Oct. 17, 2022	Oct. 16, 2023
3	EMI Test Receiver (9kHz-7GHz)	R&S	ESCI7	101169	Oct. 18, 2022	Oct. 17, 2023
4	Bilog Antenna (30MHz-1500MHz)	Schwarzbeck	VULB9168	N/A	Oct. 17, 2022	Oct. 16, 2023
5	Horn Antenna (1GHz-18GHz)	Agilent	AH-118	071145	Oct. 17, 2022	Oct. 16, 2023
6	Loop Antenna	TESEQ	HLA6121	58357	Oct. 17, 2022	Oct. 16, 2023
7	Amplifier (30-1000MHz)	EM Electronics	EM330 Amplifier	060747	Oct. 18, 2022	Oct. 17, 2023
8	Amplifier (1GHz-26.5GHz)	Agilent	8449B	3008A00315	Oct. 18, 2022	Oct. 17, 2023
9	RF cables1 (9kHz-30MHz)	N/A	9kHz-30MHz	N/A	Oct. 18, 2022	Oct. 17, 2023
10	RF cables2 (30MHz-1GHz)	N/A	30MHz-1GHz	N/A	Oct. 18, 2022	Oct. 17, 2023
11	RF cables3 (1GHz-40GHz)	N/A	1GHz-40GHz	N/A	Oct. 18, 2022	Oct. 17, 2023
12	ESG Signal Generator	Agilent	E4421B	N/A	Oct. 22, 2022	Oct. 21, 2023
13	Signal Generator	Agilent	N5182A	N/A	Oct. 22, 2022	Oct. 21, 2023
14	Magnetic Field Probe Tester	Narda	ELT-400	0-0344	Oct. 17, 2022	Oct. 16, 2023
15	MWRF Power Meter Test system	MW	MW100-RPC B	N/A	Oct. 22, 2022	Oct. 21, 2023
16	D.C. Power Supply	LongWei	TPR-6405D	N/A	\	\
17	EMC Software	Frad	EZ-EMC	Ver.EMC-CO N 3A1.1	\	\
18	RF Software	MW	MTS8310	V2.0.0.0	\	\
19	Turntable	MF	MF-7802BS	N/A	\	\
20	Antenna tower	MF	MF-7802BS	N/A	\	\



Conduction Test equipment

Item	Kind of Equipment	Manufacturer	Type No.	Serial No.	Last calibration	Calibrated until
1	LISN	R&S	ENV216	101471	Oct. 22, 2022	Oct. 21, 2023
2	LISN	CYBERTEK	EM5040A	E1850400149	Oct. 22, 2022	Oct. 21, 2023
3	Test Cable	N/A	C01	N/A	Oct. 18, 2022	Oct. 17, 2023
4	Test Cable	N/A	C02	N/A	Oct. 18, 2022	Oct. 17, 2023
5	EMI Test Receiver	R&S	ESCI3	101393	Oct. 17, 2022	Oct. 16, 2023
6	EMC Software	Frad	EZ-EMC	Ver.EMC-CO N 3A1.1	\	\



#### 4. CONDUCTED EMISSION TEST

##### 4.1 CONDUCTED EMISSION MEASUREMENT

Test Requirement:	FCC Part15 C Section 15.207
Test Method:	ANSI C63.10:2013
Test Frequency Range:	150KHz to 30MHz
Receiver setup:	RBW=9KHz, VBW=30KHz, Sweep time=auto

##### 4.1.1 POWER LINE CONDUCTED EMISSION Limits

FREQUENCY (MHz)	Limit (dBuV)		Standard
	Quas -peak	Average	
0.15 -0.5	66 - 56 *	56 - 46 *	FCC
0.50 -5.0	56.00	46.00	FCC
5.0 -30.0	60.00	50.00	FCC

Note:

(1) \*Decreases with the logarithm of the frequency.

##### 4.1.2 TEST PROCEDURE

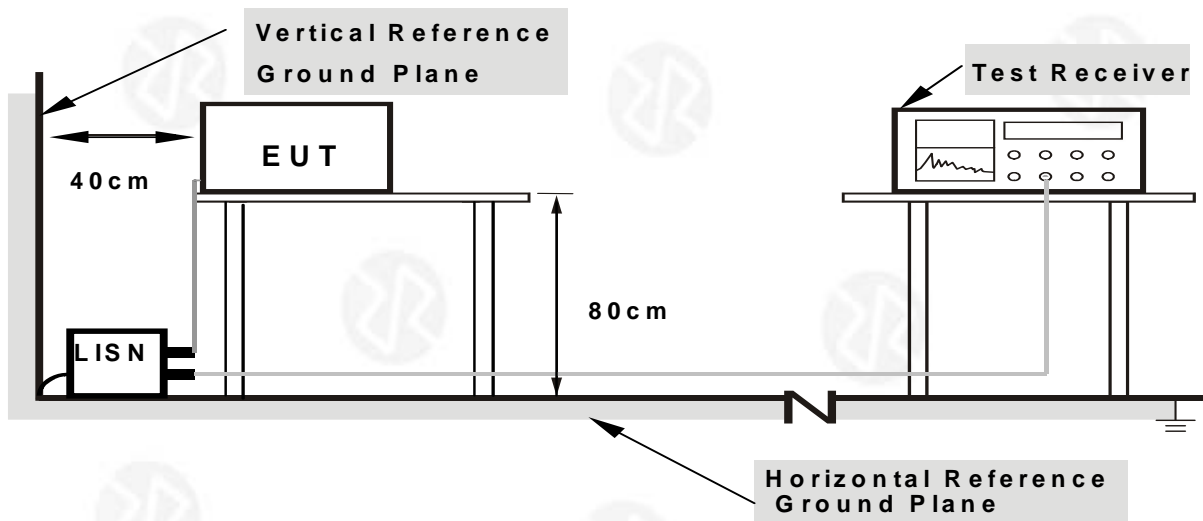
- The EUT was placed 0.8 meters from the horizontal ground plane with EUT being connected to the power mains through a line impedance stabilization network (LISN). All other support equipments powered from additional LISN(s). The LISN provide 50 Ohm/ 50uH of coupling impedance for the measuring instrument.
- Interconnecting cables that hang closer than 40 cm to the ground plane shall be folded back and forth in the center forming a bundle 30 to 40 cm long.
- I/O cables that are not connected to a peripheral shall be bundled in the center. The end of the cable may be terminated, if required, using the correct terminating impedance. The overall length shall not exceed 1 m.
- LISN at least 80 cm from nearest part of EUT chassis.
- For the actual test configuration, please refer to the related Item –EUT Test Photos.

##### 4.1.3 DEVIATION FROM TEST STANDARD

No deviation



#### 4.1.4 TEST SETUP



- Note:**
1. Support units were connected to second LISN.
  2. Both of LISNs (AMN) are 80 cm from EUT and at least 80 cm from other units and other metal planes

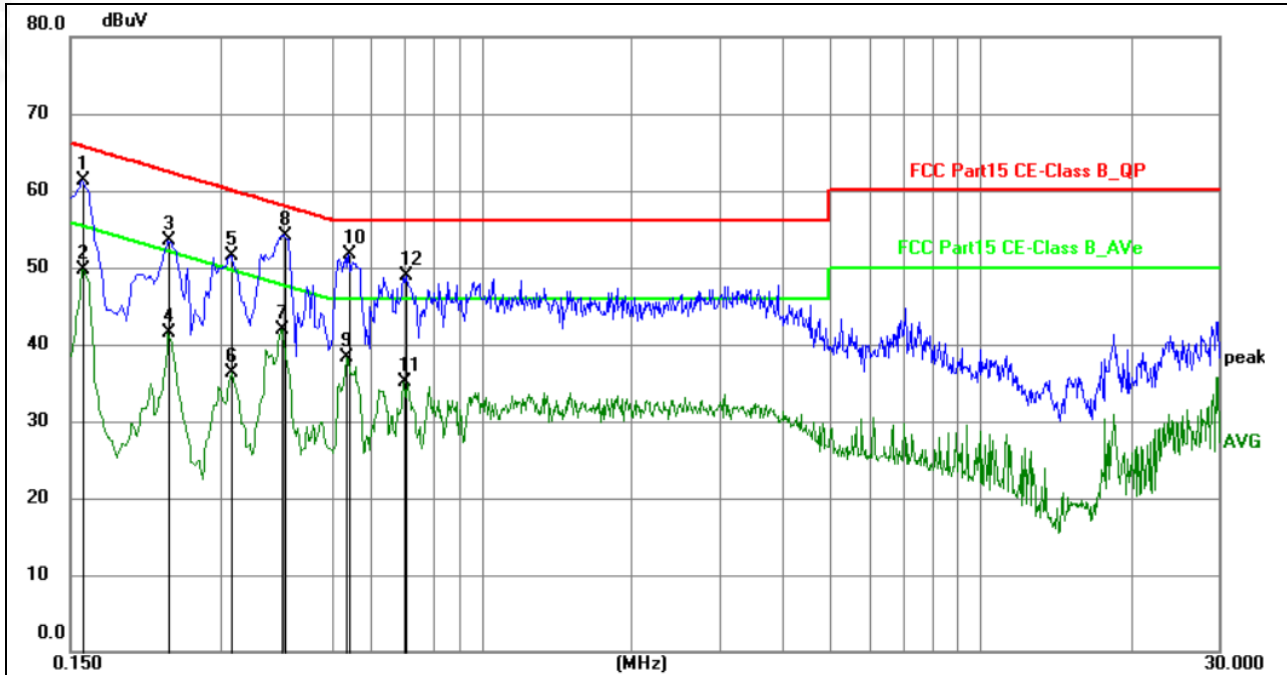
#### 4.1.5 EUT OPERATING CONDITIONS

The EUT was configured for testing in a typical fashion (as a customer would normally use it). The EUT has been programmed to continuously transmit during test. This operating condition was tested and used to collect the included data.



4.1.6 Test Result

Temperature:	26°C	Relative Humidity:	54%
Pressure:	101kPa	Phase :	L
Test Voltage :	AC 120V/60Hz		



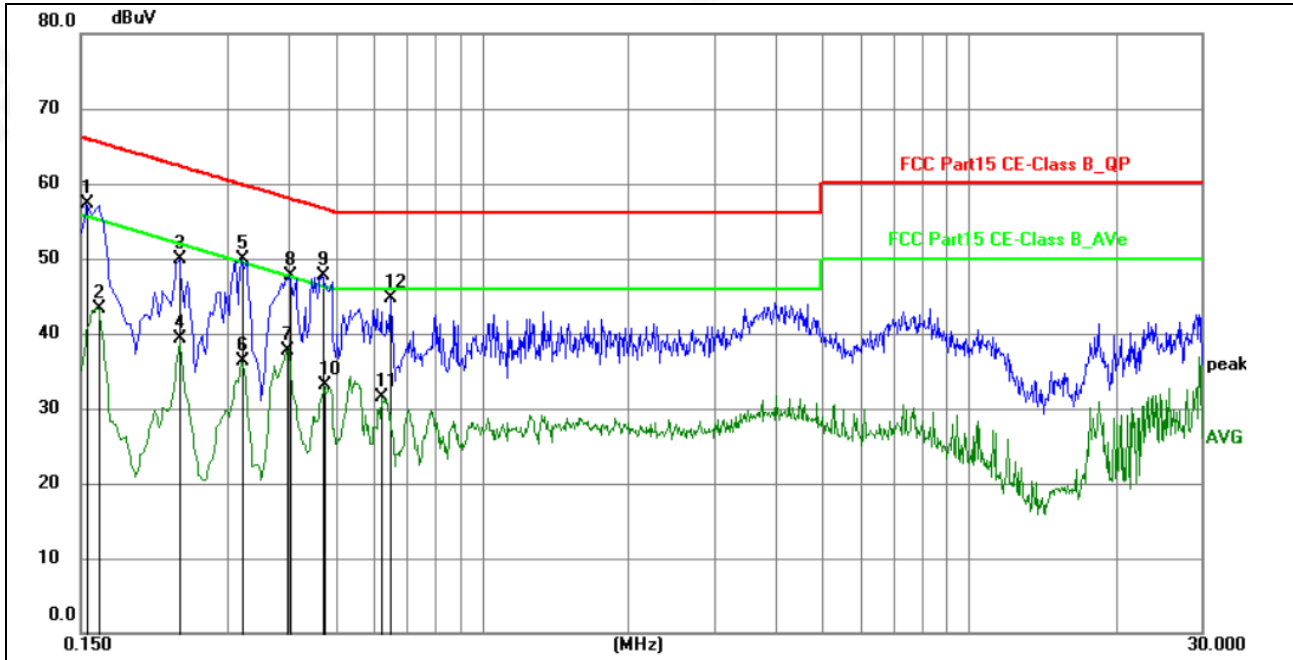
No.	Frequency (MHz)	Reading (dBuV)	Factor (dB)	Level (dBuV)	Limit (dBuV)	Margin (dB)	Detector	P/F	Remark
1	0.1590	48.45	12.81	61.26	65.52	-4.26	QP	P	
2	0.1590	36.98	12.81	49.79	55.52	-5.73	AVG	P	
3	0.2355	41.76	11.75	53.51	62.25	-8.74	QP	P	
4	0.2355	29.67	11.75	41.42	52.25	-10.83	AVG	P	
5	0.3165	40.20	11.39	51.59	59.80	-8.21	QP	P	
6	0.3165	24.88	11.39	36.27	49.80	-13.53	AVG	P	
7	0.3975	30.98	11.01	41.99	47.91	-5.92	AVG	P	
8	0.4020	43.21	10.99	54.20	57.81	-3.61	QP	P	
9	0.5369	27.73	10.53	38.26	46.00	-7.74	AVG	P	
10	0.5414	41.17	10.53	51.70	56.00	-4.30	QP	P	
11	0.6988	24.52	10.50	35.02	46.00	-10.98	AVG	P	
12	0.7079	38.47	10.50	48.97	56.00	-7.03	QP	P	

Notes:

1. An initial pre-scan was performed on the line and neutral lines with peak detector.
2. Quasi-Peak and Average measurement were performed at the frequencies with maximized peak emission.
3. Measurement Level = Reading level + Correct Factor



Temperature:	26°C	Relative Humidity:	54%
Pressure:	101kPa	Phase :	N
Test Voltage :	AC 120V/60Hz		



No.	Frequency (MHz)	Reading (dBuV)	Factor (dB)	Level (dBuV)	Limit (dBuV)	Margin (dB)	Detector	P/F	Remark
1	0.1545	44.31	12.91	57.22	65.75	-8.53	QP	P	
2	0.1635	30.61	12.71	43.32	55.28	-11.96	AVG	P	
3	0.2400	38.09	11.73	49.82	62.10	-12.28	QP	P	
4	0.2400	27.49	11.73	39.22	52.10	-12.88	AVG	P	
5	0.3209	38.48	11.37	49.85	59.68	-9.83	QP	P	
6	0.3209	24.95	11.37	36.32	49.68	-13.36	AVG	P	
7	0.3975	26.75	11.01	37.76	47.91	-10.15	AVG	P	
8	0.4020	36.69	10.99	47.68	57.81	-10.13	QP	P	
9	0.4695	37.05	10.68	47.73	56.52	-8.79	QP	P	
10	0.4740	22.39	10.66	33.05	46.44	-13.39	AVG	P	
11	0.6225	20.92	10.52	31.44	46.00	-14.56	AVG	P	
12	0.6495	34.26	10.51	44.77	56.00	-11.23	QP	P	

Notes:

- 1.An initial pre-scan was performed on the line and neutral lines with peak detector.
- 2.Quasi-Peak and Average measurement were performed at the frequencies with maximized peak emission.
- 3.Measurement Level = Reading level + Correct Factor



### 5. RADIATED EMISSION MEASUREMENT

Test Requirement:	FCC Part15 C Section 15.209				
Test Method:	ANSI C63.10:2013				
Test Frequency Range:	9kHz to 1GHz				
Test site:	Measurement Distance: 3m				
Receiver setup:	Frequency	Detector	RBW	VBW	Value
	9KHz-150KHz	Quasi-peak	200Hz	600Hz	Quasi-peak
	150KHz-30MHz	Quasi-peak	9KHz	30KHz	Quasi-peak
	30MHz-1GHz	Quasi-peak	100KHz	300KHz	Quasi-peak
	Above 1GHz	Peak	1MHz	3MHz	Peak
Peak		1MHz	10Hz	Average	

#### 5.1 Radiated Emission Limits

##### Limits for frequency below 30MHz

Frequency	Limit (uV/m)	Measurement Distance(m)	Remark
0.009-0.490	2400/F(kHz)	300	Quasi-peak Value
0.490-1.705	24000/F(kHz)	30	Quasi-peak Value
1.705-30	30	30	Quasi-peak Value

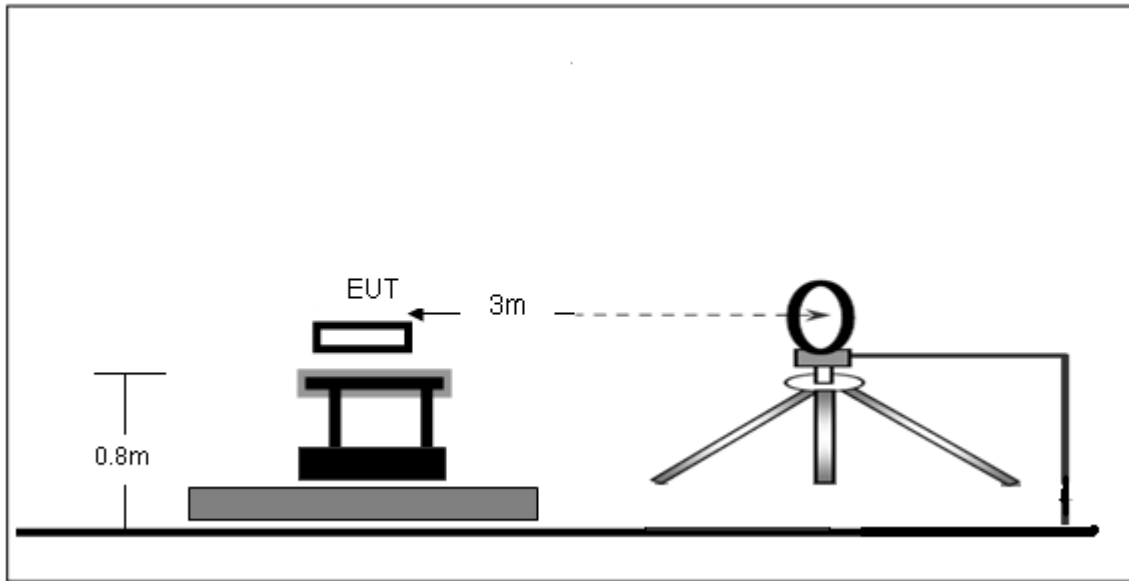
##### Limits for frequency Above 30MHz

Frequency	Limit (dBuV/m @3m)	Remark
30MHz-88MHz	40.00	Quasi-peak Value
88MHz-216MHz	43.50	Quasi-peak Value
216MHz-960MHz	46.00	Quasi-peak Value
960MHz-1GHz	54.00	Quasi-peak Value
Above 1GHz	54.00	Average Value
	74.00	Peak Value

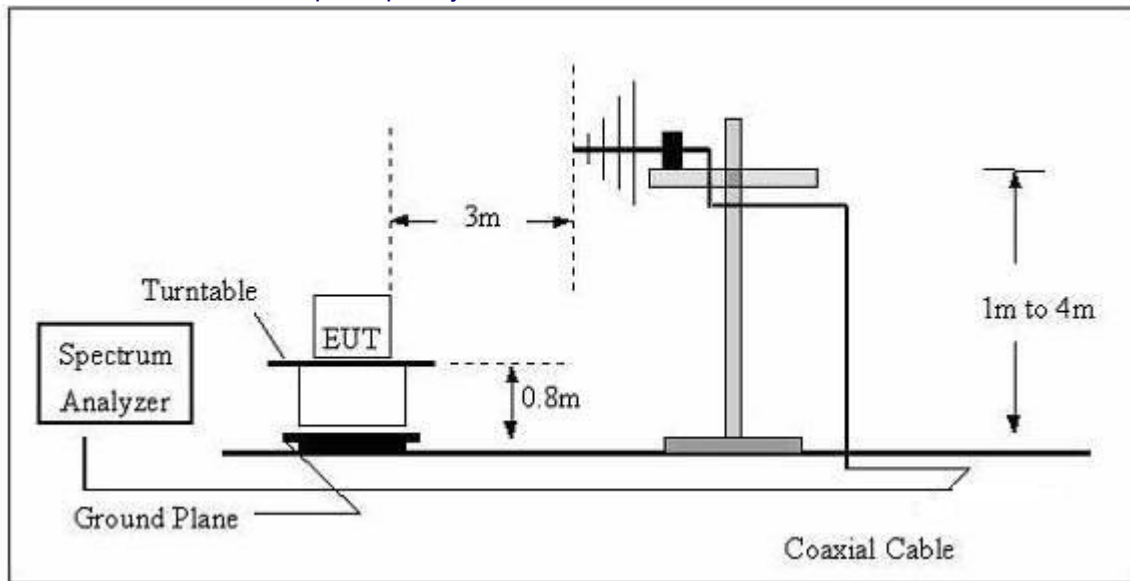


## 5.2 Anechoic Chamber Test Setup Diagram

(A) Radiated Emission Test-Up Frequency Below 30MHz



(B) Radiated Emission Test-Up Frequency 30MHz~1GHz



The radiated emission tests were performed in the 3 meters chamber test site, using the setup accordance with the ANSI C63.10-2013. The specification used was the FCC 15.209 and FCC 15.205 limits.

## 5.3 Test Procedure

The EUT is placed on a turn table which is 0.8 meter above ground. The turn table can rotate 360 degrees to determine the position of the maximum emission level. The EUT is set 3 meters away from the receiving antenna which is mounted on a antenna tower. The antenna can move up and down between 1 to 4 meters to find out the maximum emission level. Broadband antenna (calibrated by dipole antenna) are used as a receiving antenna. Both horizontal and vertical polarization of the antenna are set on measurement.

## 5.4 DEVIATION FROM TEST STANDARD

No deviation





### 5.5 Test Result

#### Measurement data:

Note: Limit dBuV/m @3m = Limit dBuV/m @300m+ 80

Limit dBuV/m @3m = Limit dBuV/m @30m + 40

#### 9 kHz~30 MHz

Frequency (kHz)	Meter Reading (dBμV)	Factor (dB)	Emission Level (dBμV/m)	Limits (dBμV/m)	Margin (dB)	Detector Type
24.83	39.58	20.15	59.73	119.70	-59.97	AV
56.75	40.17	20.33	60.50	112.52	-52.02	AV
148.59	67.68	20.55	88.23	104.16	-15.93	AV
685.18	31.98	20.64	52.62	70.89	-18.27	QP
965.64	35.22	21.26	56.48	67.91	-11.43	QP
1222.38	25.27	22.32	47.59	65.86	-18.27	QP

**Note:**

Pre-scan in the all of mode, the worst case in of was recorded.

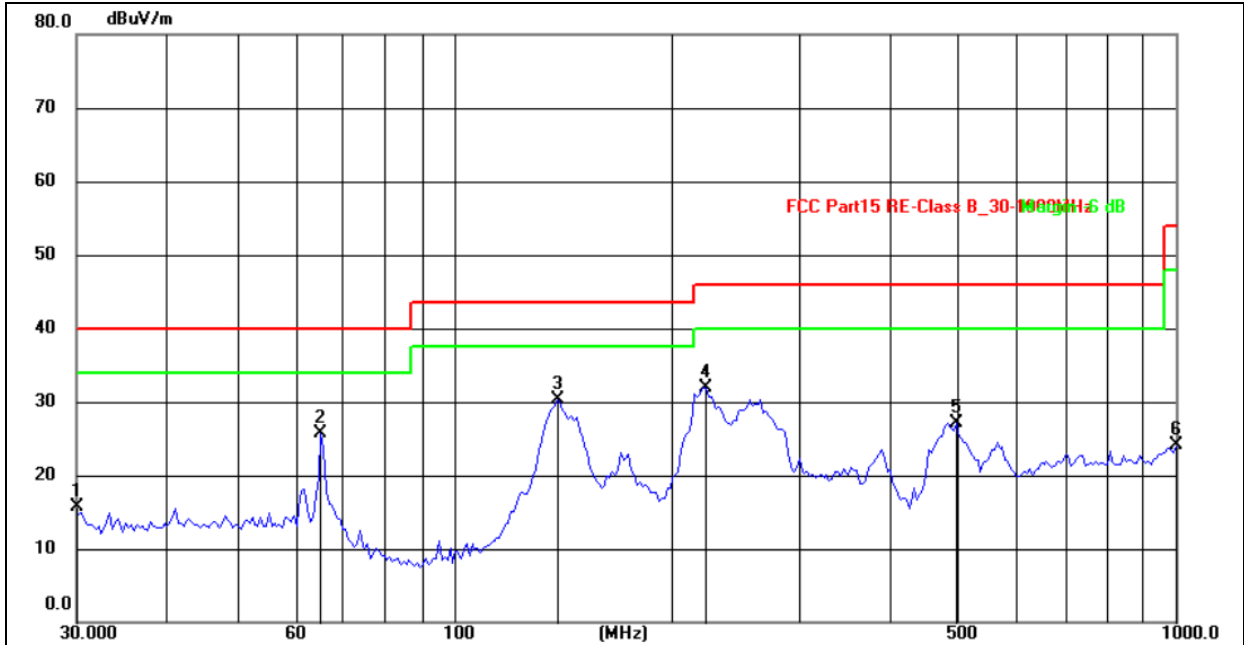
Factor = antenna factor + cable loss – pre-amplifier.

Margin = Emission Level- Limit.



30MHz-1GHz

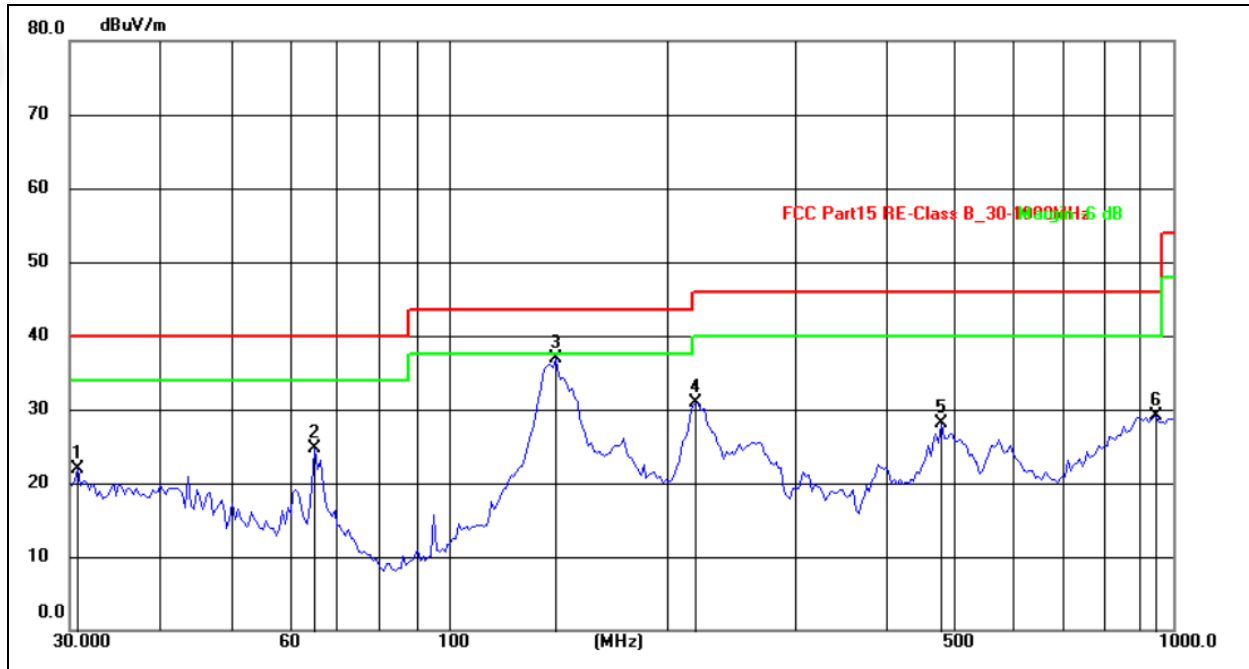
Temperature:	26°C	Relative Humidity:	54%
Pressure:	101 kPa	Polarization:	Horizontal
Test Voltage:	DC 9V		



No.	Frequency (MHz)	Reading (dBuV)	Factor (dB/m)	Level (dBuV/m)	Limit (dBuV/m)	Margin (dB)	Detector
1	30.0000	29.97	-14.21	15.76	40.00	-24.24	QP
2	65.4578	41.43	-15.68	25.75	40.00	-14.25	QP
3	139.1171	47.28	-17.00	30.28	43.50	-13.22	QP
4	223.3414	49.48	-17.54	31.94	46.00	-14.06	QP
5	495.9344	38.91	-11.83	27.08	46.00	-18.92	QP
6	1000.0000	29.02	-4.87	24.15	54.00	-29.85	QP



Temperature:	26°C	Relative Humidity:	54%
Pressure:	101kPa	Polarization:	Vertical
Test Voltage:	AC 120V/60Hz		



No.	Frequency (MHz)	Reading (dBuV)	Factor (dB/m)	Level (dBuV/m)	Limit (dBuV/m)	Margin (dB)	Detector
1	30.7994	40.13	-18.30	21.83	40.00	-18.17	QP
2	65.4578	43.52	-18.87	24.65	40.00	-15.35	QP
3	140.3420	57.76	-20.91	36.85	43.50	-6.65	QP
4	219.4597	51.33	-20.40	30.93	46.00	-15.07	QP
5	478.8455	40.46	-12.31	28.15	46.00	-17.85	QP
6	948.7609	29.55	-0.48	29.07	46.00	-16.93	QP

Remarks:

- 1.Final Level =Receiver Read level + Antenna Factor + Cable Loss – Preamplifier Factor
- 2.The emission levels of other frequencies are very lower than the limit and not show in test report.



## 6. BANDWIDTH TEST

1. Set RBW = 100Hz.
2. Set the video bandwidth (VBW)  $\geq 3 \times$  RBW.
3. Detector = Peak.
4. Trace mode = max hold.
5. Sweep = auto couple.
6. Allow the trace to stabilize.
7. Measure the maximum width of the emission that is constrained by the frequencies associated with the two outermost amplitude points (upper and lower frequencies) that are attenuated by 20 dB relative to the maximum level measured in the fundamental emission.

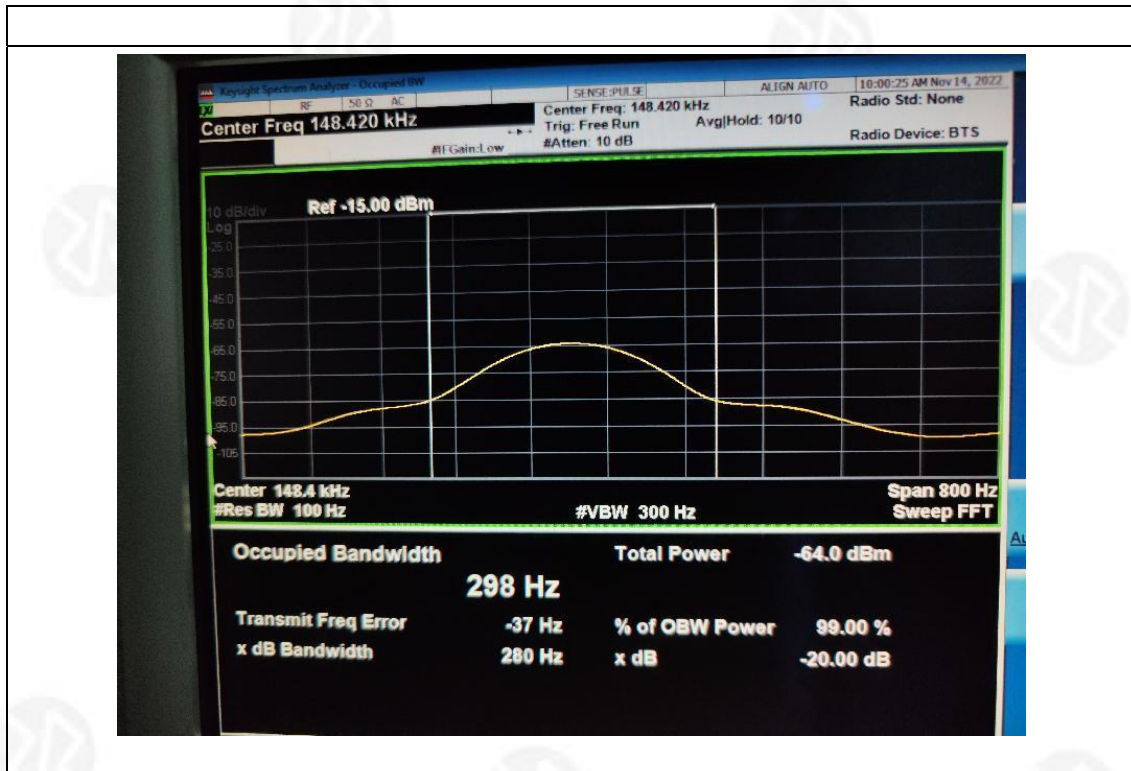
### TEST SETUP





Temperature:	26 °C	Relative Humidity:	54%
Pressure:	101kPa		

Frequency (KHz)	20dB bandwidth (Hz)	99% bandwidth (Hz)	Result
148.42	280	298	Pass





## 7. ANTENNA REQUIREMENT

Standard requirement:	FCC Part15 C Section 15.203
15.203 requirement: An intentional radiator shall be designed to ensure that no antenna other than that furnished by the responsible party shall be used with the device. The use of a permanently attached antenna or of an antenna that uses a unique coupling to the intentional radiator, the manufacturer may design the unit so that a broken antenna can be replaced by the user, but the use of a standard antenna jack or electrical connector is prohibited.	
EUT Antenna:	
The antenna is Coil ANT, the best case gain of the antennas is 0dBi, reference to the appendix II for details	



## 8. TEST SETUP PHOTO

Reference to the appendix I for details.

## 9. EUT CONSTRUCTIONAL DETAILS

Reference to the appendix II for details.

\*\*\*\*\* END OF REPORT \*\*\*\*\*