

FCC TEST REPORT

FCC ID: 2A5YJ-K835

Report Number..... : ZKT-220309L1463-01

Date of Test..... Feb. 22, 2022 -- Mar. 30, 2022

Date of issue : Mar. 30, 2022

Total number of pages : 33

Test Result : PASS

Testing Laboratory..... : Shenzhen ZKT Technology Co., Ltd.

Address : 1/F, No. 101, Building B, No. 6, Tangwei Community Industrial Avenue, Fuhai Street, Bao'an District, Shenzhen, China

Applicant's name : Shenzhen Chuangzhiding Technology Co., Ltd.

Address : 401, 4th Floor, Building 3, No. 537, Gushu 1st Road, Guxing Community, Xixiang Street, Baoan District, Shenzhen

Manufacturer's name : Shenzhen Chuangzhiding Technology Co., Ltd.

Address : 401, 4th Floor, Building 3, No. 537, Gushu 1st Road, Guxing Community, Xixiang Street, Baoan District, Shenzhen

Test specification:

Standard..... : FCC CFR Title 47 Part 15 Subpart C Section 15.249
ANSI C63.10:2013

Test procedure..... : /

Non-standard test method : N/A

Test Report Form No. : TRF-EL-111_V0

Test Report Form(s) Originator : ZKT Testing

Master TRF : Dated: 2020-01-06

This device described above has been tested by ZKT, and the test results show that the equipment under test (EUT) is in compliance with the FCC requirements. And it is applicable only to the tested sample identified in the report.

This report shall not be reproduced except in full, without the written approval of ZKT, this document may be altered or revised by ZKT, personal only, and shall be noted in the revision of the document.

Product name..... : Two zone dual-mode keyboard

Trademark : /

Model/Type reference : K835, K635, K688, K822, K6K, K7558K, K308-BT, K09

Ratings..... : DC 3.7V from battery / charging by DC 5.0V

Testing procedure and testing location:

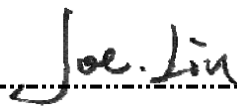
Testing Laboratory.....: Shenzhen ZKT Technology Co., Ltd.

Address 1/F, No. 101, Building B, No. 6, Tangwei Community
Industrial Avenue, Fuhai Street, Bao'an District,
Shenzhen, China

Tested by (name + signature): Alen He



Reviewer (name + signature).....: Joe Liu



Approved (name + signature): Lake Xie



Table of Contents	Page
1.VERSION	5
2.1SUMMARY OF TEST RESULTS	6
2.1TEST FACILITY	7
2.2 MEASUREMENT UNCERTAINTY	7
3. GENERAL INFORMATION	8
3.1 GENERAL DESCRIPTION OF EUT	8
3.2 DESCRIPTION OF TEST MODES	9
3.3 BLOCK DIGRAM SHOWING THE CONFIGURATION OF SYSTEM TESTED	9
3.4 DESCRIPTION OF SUPPORT UNITS(CONDUCTED MODE)	10
3.5 EQUIPMENTS LIST FOR ALL TEST ITEMS	11
4. EMC EMISSION TEST	12
4.1 CONDUCTED EMISSION MEASUREMENT	12
4.1.1 POWER LINE CONDUCTED EMISSION LIMITS	12
4.1.2 TEST PROCEDURE	12
4.1.3 DEVIATION FROM TEST STANDARD	12
4.1.4 TEST SETUP	13
4.1.5 EUT OPERATING CONDITIONS	13
4.1.6 TEST RESULTS	13
4.2 RADIATED EMISSION MEASUREMENT	14
4.2.1 RADIATED EMISSION LIMITS	16
4.2.2 TEST PROCEDURE	17
4.2.3 DEVIATION FROM TEST STANDARD	17
4.2.4 TEST SETUP	17
4.2.5 EUT OPERATING CONDITIONS	18
5. BANDWIDTH OF FREQUENCY BAND EDGE	24
5.1 TEST REQUIREMENT:	24
5.2 TEST PROCEDURE	24
ABOVE 1GHZ TEST PROCEDURE AS BELOW:	24
5.6 TEST RESULT	26
6. CHANNEL BANDWIDTH	27
6.1 APPLIED PROCEDURES / LIMIT	27
6.2 TEST PROCEDURE	27
6.3 DEVIATION FROM STANDARD	27
6.4 TEST SETUP	27
6.5 EUT OPERATION CONDITIONS	27
6.6 TEST RESULTS	28

Table of Contents	Page
7.ANTENNA REQUIREMENT	30
9. TEST SETUP PHOTO	31
10. EUT CONSTRUCTIONAL DETAILS	33

1.VERSION

Report No.	Version	Description	Approved
ZKT-220309L1463-01	Rev.01	Initial issue of report	Mar. 30, 2022

2.1 SUMMARY OF TEST RESULTS

Test procedures according to the technical standards:

FCC Part15 (15.249) , Subpart C			
Standard Section	Test Item	Judgment	Remark
FCC part 15.203	Antenna requirement	PASS	
FCC part 15.207	AC Power Line Conducted Emission	PASS	
FCC part 15.249	Fundamental & Radiated Spurious Emission Measurement	PASS	
FCC part 15.215 (c)	20dB Channel Bandwidth	PASS	
FCC part 15.205	Band Edge	PASS	

NOTE:

(1) "N/A" denotes test is not applicable in this Test Report

2.1 TEST FACILITY

Shenzhen ZKT Technology Co., Ltd.

Add. : 1/F, No. 101, Building B, No. 6, Tangwei Community Industrial Avenue, Fuhai Street, Bao'an District, Shenzhen, China

FCC Test Firm Registration Number: 692225

Designation Number: CN1299

IC Registered No.: 27033

2.2 MEASUREMENT UNCERTAINTY

The reported uncertainty of measurement $y \pm U$, where expanded uncertainty U is based on a standard uncertainty multiplied by a coverage factor of $k=2$, providing a level of confidence of approximately 95 %.

No.	Item	Uncertainty
1	Conducted Emission Test	$\pm 1.38\text{dB}$
2	RF power conducted	$\pm 0.16\text{dB}$
3	Spurious emissions conducted	$\pm 0.21\text{dB}$
4	All emissions radiated(<1G)	$\pm 4.68\text{dB}$
5	All emissions radiated(>1G)	$\pm 4.89\text{dB}$
6	Temperature	$\pm 0.5^\circ\text{C}$
7	Humidity	$\pm 2\%$

3. GENERAL INFORMATION

3.1 GENERAL DESCRIPTION OF EUT

Product Name:	Two zone dual-mode keyboard
Model No.:	K835
Serial No.:	K635, K688, K822, K6K, K7558K, K308-BT, K09
Model Different.:	There are many models of this product, only the model name is different, other parts such as circuit principle, PCB, electrical structure, etc. are the same. so test model: K835
Hardware Version:	V10
Software Version:	V1.0
Sample(s) Status:	Engineer sample
Channel numbers:	16
Channel separation:	2402MHz~2480MHz
Modulation technology:	GFSK
Antenna Type:	PCB Antenna
Antenna gain:	0 dBi
Power supply:	DC 5V from adapter or others DC 3.7V from battery

Operation Frequency each of channel			
Channel	Frequency	Channel	Frequency
1	2402	11	2446
2	2406	12	2450
3	2412	13	2454
4	2416	14	2458
5	2420	15	2462
6	2424	16	2466
7	2428	17	2471
8	2432	18	2476
9	2437	20	2480
10	2442		

Note:

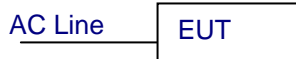
In section 15.31(m), regards to the operating frequency range over 10 MHz, the Lowest frequency, the middle frequency, and the highest frequency of channel were selected to perform the test, and the selected channel see below:

Test channel	Frequency
The lowest channel	2402MHz
The middle channel	2442MHz
The Highest channel	2480MHz

3.2 DESCRIPTION OF TEST MODES

Transmitting mode	Keep the EUT in continuously transmitting mode
Remark: During the test, the test voltage was tuned from 85% to 115% of the nominal rated supply voltage, and found that the worst case was under the nominal rated supply condition. So the report just shows that condition's data.	

Test Software	Test Tool
Power level setup	<3dBm

3.3 BLOCK DIGRAM SHOWING THE CONFIGURATION OF SYSTEM TESTED**Conducted Emission****Radiated Emission****Conducted Spurious**

3.4 DESCRIPTION OF SUPPORT UNITS(CONDUCTED MODE)

The EUT has been tested as an independent unit together with other necessary accessories or support units. The following support units or accessories were used to form a representative test configuration during the tests.

Item	Equipment	Mfr/Brand	Model/Type No.	Series No.	Note

Item	Shielded Type	Ferrite Core	Length	Note

Note:

- (1) The support equipment was authorized by Declaration of Confirmation.
- (2) For detachable type I/O cable should be specified the length in cm in 『Length』 column.

3.5 EQUIPMENTS LIST FOR ALL TEST ITEMS

Radiation Test equipment

Item	Equipment	Manufacturer	Type No.	Serial No.	Last calibration	Calibrated until
1	Spectrum Analyzer (9kHz-26.5GHz)	KEYSIGHT	9020A	MY45109572	Sep. 21, 2021	Sep. 22, 2022
2	Spectrum Analyzer (1GHz-40GHz)	Agilent	E4446A	100363	Sep. 21, 2021	Sep. 22, 2022
3	Test Receiver (9kHz-7GHz)	R&S	ESC17	101169	Sep. 21, 2021	Sep. 22, 2022
4	Bilog Antenna (30MHz-1400MHz)	Schwarzbeck	VULB9168	00877	Sep. 21, 2021	Sep. 22, 2022
5	Horn Antenna (1GHz-18GHz)	SCHWARZBEC K	BBHA9120D	1541	Sep. 21, 2021	Sep. 22, 2022
6	Horn Antenna (18GHz-40GHz)	A.H. System	SAS-574	588	Sep. 21, 2021	Sep. 22, 2022
7	Amplifier (30-1000MHz)	EM Electronics	EM330 Amplifier	N/A	Sep. 21, 2021	Sep. 22, 2022
8	Amplifier (1GHz-40GHz)	QUANJUDA	DLE-161	097	Sep. 21, 2021	Sep. 22, 2022
9	Loop Antenna (9kHz-30MHz)	SCHWARZBEC K	FMZB1519B	014	Sep. 21, 2021	Sep. 22, 2022
10	RF cables1 (9kHz-30MHz)	N/A	9kHz-30MHz	N/A	Sep. 21, 2021	Sep. 22, 2022
11	RF cables2 (30MHz-1GHz)	N/A	30MHz-1GHz	N/A	Sep. 21, 2021	Sep. 22, 2022
12	RF cables3 (1GHz-40GHz)	N/A	1GHz-40GHz	N/A	Sep. 21, 2021	Sep. 22, 2022
13	CMW500 Test	R&S	CMW500	106504	Sep. 21, 2021	Sep. 22, 2022
14	ESG Signal Generator	Agilent	E4421B	GB40051203	Sep. 21, 2021	Sep. 22, 2022
15	Signal Generator	Agilent	N5182A	MY47420215	Sep. 21, 2021	Sep. 22, 2022
16	D.C. Power Supply	LongWei	TPR-6405D	\	\	\
17	Software	Frad	EZ-EMC	FA-03A2 RE	\	\

Conduction Test equipment

Item	Kind of Equipment	Manufacturer	Type No.	Serial No.	Last calibration	Calibrated until
1	LISN	R&S	ENV216	101471	Sep. 21, 2021	Sep. 22, 2022
2	LISN	CYBERTEK	EM5040A	E185040014 9	Sep. 21, 2021	Sep. 22, 2022
3	Test Cable	N/A	C01	N/A	Sep. 21, 2021	Sep. 22, 2022
4	Test Cable	N/A	C02	N/A	Sep. 21, 2021	Sep. 22, 2022
5	EMI Test Receiver	R&S	ESRP3	101946	Sep. 21, 2021	Sep. 22, 2022
6	Absorbing Clamp	DZ	ZN23201	N/A	Sep. 21, 2021	Sep. 22, 2022

4. EMC EMISSION TEST

4.1 CONDUCTED EMISSION MEASUREMENT

Test Requirement:	FCC Part15 C Section 15.207
Test Method:	ANSI C63.10:2013
Test Frequency Range:	150KHz to 30MHz
Receiver setup:	RBW=9KHz, VBW=30KHz, Sweep time=auto

4.1.1 POWER LINE CONDUCTED EMISSION Limits

FREQUENCY (MHz)	Limit (dBuV)		Standard
	Quas -peak	Average	
0.15 -0.5	66 - 56 *	56 - 46 *	FCC
0.50 -5.0	56.00	46.00	FCC
5.0 -30.0	60.00	50.00	FCC

Note:

(1) *Decreases with the logarithm of the frequency.

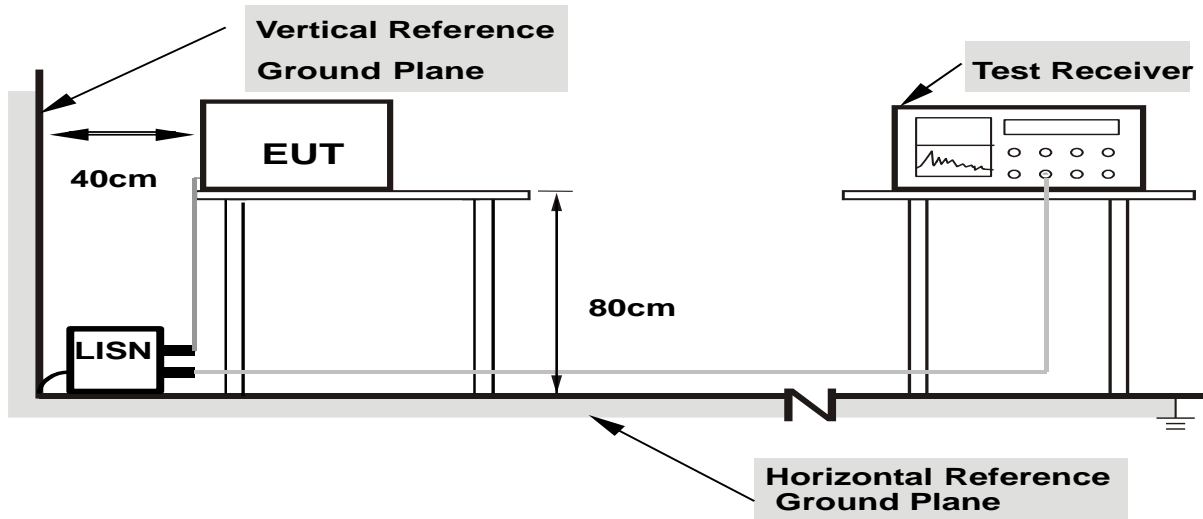
4.1.2 TEST PROCEDURE

- a. The EUT was placed 0.8 meters from the horizontal ground plane with EUT being connected to the power mains through a line impedance stabilization network (LISN). All other support equipments powered from additional LISN(s). The LISN provide 50 Ohm/ 50uH of coupling impedance for the measuring instrument.
- b. Interconnecting cables that hang closer than 40 cm to the ground plane shall be folded back and forth in the center forming a bundle 30 to 40 cm long.
- c. I/O cables that are not connected to a peripheral shall be bundled in the center. The end of the cable may be terminated, if required, using the correct terminating impedance. The overall length shall not exceed 1 m.
- d. LISN at least 80 cm from nearest part of EUT chassis.
- e. For the actual test configuration, please refer to the related Item –EUT Test Photos.

4.1.3 DEVIATION FROM TEST STANDARD

No deviation

4.1.4 TEST SETUP



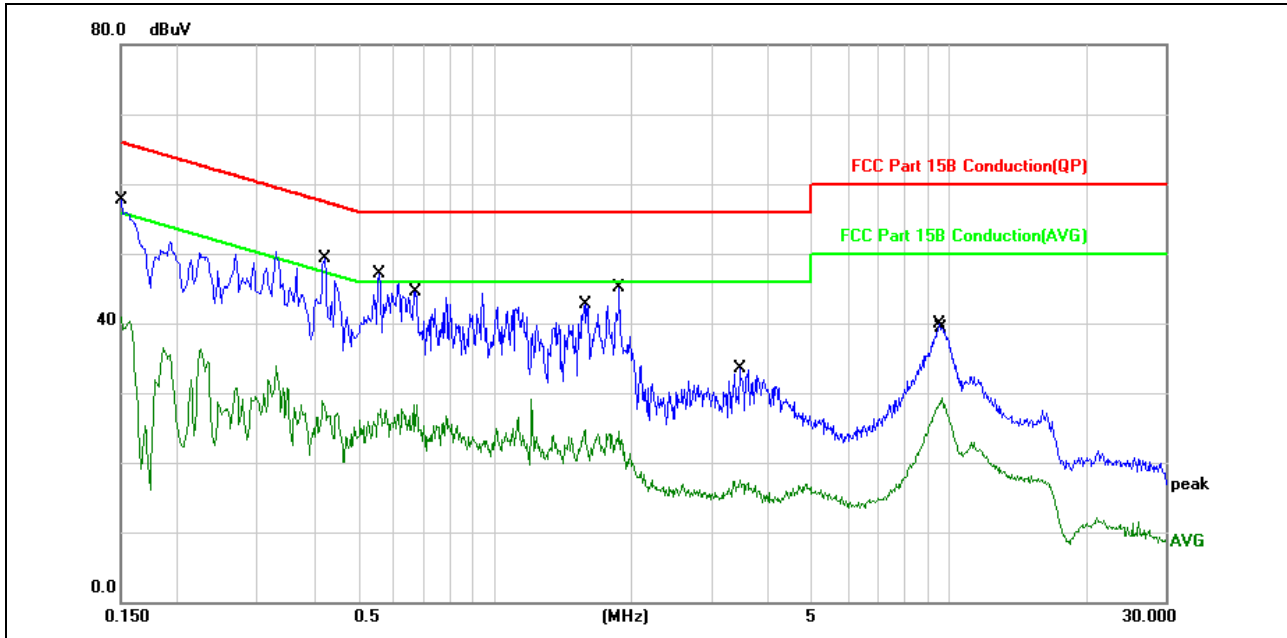
- Note: 1. Support units were connected to second LISN.**
2. Both of LISNs (AMN) are 80 cm from EUT and at least 80 from other units and other metal planes

4.1.5 EUT OPERATING CONDITIONS

The EUT was configured for testing in a typical fashion (as a customer would normally use it). The EUT has been programmed to continuously transmit during test. This operating condition was tested and used to collect the included data.

4.1.6 TEST RESULTS

Temperature :	26°C	Relative Humidity :	54%
Pressure :	101kPa	Phase :	L
Test Voltage :	AC 120V/60Hz	Test mode	charging

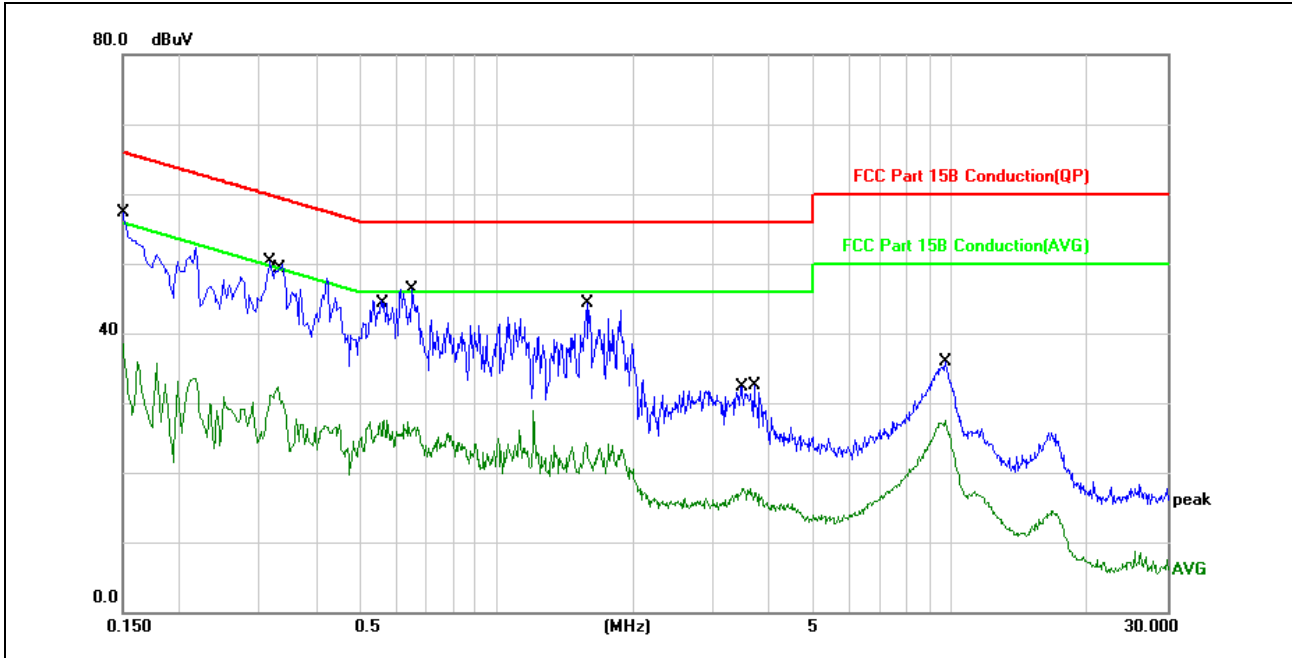


No.	Mk.	Freq. MHz	Reading Level dBuV	Correct Factor dB	Measure- ment dBuV	Limit dBuV	Over dB	Detector	Comment
1		0.1508	47.86	9.75	57.61	65.95	-8.34	QP	
2		0.1508	31.18	9.75	40.93	55.95	-15.02	AVG	
3		0.4180	18.98	9.87	28.85	47.49	-18.64	AVG	
4	*	0.4220	39.39	9.87	49.26	57.41	-8.15	QP	
5		0.5580	37.31	9.84	47.15	56.00	-8.85	QP	
6		0.6620	18.53	9.83	28.36	46.00	-17.64	AVG	
7		1.5780	15.02	9.68	24.70	46.00	-21.30	AVG	
8		1.8820	35.53	9.66	45.19	56.00	-10.81	QP	
9		3.4620	23.77	9.69	33.46	56.00	-22.54	QP	
10		3.4860	7.82	9.69	17.51	46.00	-28.49	AVG	
11		9.5420	30.25	9.70	39.95	60.00	-20.05	QP	
12		9.6860	19.54	9.70	29.24	50.00	-20.76	AVG	

Notes:

1. An initial pre-scan was performed on the line and neutral lines with peak detector.
2. Quasi-Peak and Average measurement were performed at the frequencies with maximized peak emission.
3. Measurement Level = Reading level + Correct Factor

Temperature :	26°C	Relative Humidity :	54%
Pressure :	101kPa	Phase :	N
Test Voltage :	AC 120V/60Hz	Test mode	charging



No.	Mk.	Freq. MHz	Reading Level dBuV	Correct Factor dB	Measure- ment dBuV	Limit dBuV	Over dB	Detector	Comment
1	*	0.1500	47.55	9.75	57.30	65.99	-8.69	QP	
2		0.1500	28.67	9.75	38.42	55.99	-17.57	AVG	
3		0.3180	40.39	9.87	50.26	59.76	-9.50	QP	
4		0.3300	22.38	9.86	32.24	49.45	-17.21	AVG	
5		0.5660	17.70	9.84	27.54	46.00	-18.46	AVG	
6		0.6540	36.52	9.83	46.35	56.00	-9.65	QP	
7		1.5740	14.56	9.68	24.24	46.00	-21.76	AVG	
8		1.5780	34.60	9.68	44.28	56.00	-11.72	QP	
9		3.4980	8.10	9.69	17.79	46.00	-28.21	AVG	
10		3.6820	22.74	9.69	32.43	56.00	-23.57	QP	
11		9.7260	26.24	9.70	35.94	60.00	-24.06	QP	
12		9.7260	17.73	9.70	27.43	50.00	-22.57	AVG	

Notes:

1. An initial pre-scan was performed on the line and neutral lines with peak detector.
2. Quasi-Peak and Average measurement were performed at the frequencies with maximized peak emission.
3. Measurement Level = Reading level + Correct Factor

4.2 RADIATED EMISSION MEASUREMENT

Test Requirement:	FCC Part15 C Section 15.209				
Test Method:	ANSI C63.10:2013				
Test Frequency Range:	9kHz to 25GHz				
Test site:	Measurement Distance: 3m				
Receiver setup:	Frequency	Detector	RBW	VBW	Value
	9KHz-150KHz	Quasi-peak	200Hz	600Hz	Quasi-peak
	150KHz-30MHz	Quasi-peak	9KHz	30KHz	Quasi-peak
	30MHz-1GHz	Quasi-peak	120KHz	300KHz	Quasi-peak
	Above 1GHz	Peak	1MHz	3MHz	Peak
Peak		1MHz	10Hz	Average	

4.2.1 RADIATED EMISSION LIMITS

Frequencies (MHz)	Field Strength (micorvolts/meter)	Measurement Distance (meters)
0.009~0.490	2400/F(KHz)	300
0.490~1.705	24000/F(KHz)	30
1.705~30.0	30	30
30~88	100	3
88~216	150	3
216~960	200	3
Above 960	500	3

The field strength of emissions from intentional radiators operated within these frequency bands shall comply with the following:

Fundamental frequency	Field strength of fundamental (millivolts/meter)	Field strength of harmonics (microvolts/meter)
902-928 MHz	50	500
2400-2483.5 MHz	50	500
5725-5875 MHz	50	500
24.0-24.25 GHz	250	2500

LIMITS OF RADIATED EMISSION MEASUREMENT

FREQUENCY (MHz)	Limit (dBuV/m) (at 3M)	
	PEAK	AVERAGE
Above 1000	74	54

Notes:

- (1) The limit for radiated test was performed according to FCC PART 15C.
- (2) The tighter limit applies at the band edges.

(3) Emission level (dBuV/m)=20log Emission level (uV/m).

4.2.2 TEST PROCEDURE

- a. The measuring distance of at 3 m shall be used for measurements at frequency up to 25GHz. For frequencies above 1GHz, any suitable measuring distance may be used.
- b. The EUT was placed on the top of a rotating table 0.8 meters above the ground at a 3 meter semi-chamber test. The table was rotated 360 degrees to determine the position of the highest radiation.
- c. The height of the equipment or of the substitution antenna shall be 0.8m; above 1GHz, the height was 1.5m, the height of the test antenna shall vary between 1 m to 4 m. Both horizontal and vertical polarizations of the antenna are set to make the measurement.
- d. The initial step in collecting conducted emission data is a spectrum analyzer peak detector mode pre-scanning the measurement frequency range. Significant peaks are then marked and then Quasi Peak detector mode re-measured.
- e. If the Peak Mode measured value compliance with and lower than Quasi Peak Mode Limit, the EUT shall be deemed to meet QP Limits and then no additional QP Mode measurement performed.
- f. For the actual test configuration, please refer to the related Item –EUT Test Photos.
- g. For the radiated emission test above 1GHz:
Place the measurement antenna away from each area of the EUT determined to be a source of emissions at the specified measurement distance, while keeping the measurement antenna aimed at the source of emissions at each frequency of significant emissions, with polarization oriented for maximum response.
The measurement antenna may have to be higher or lower than the EUT, depending on the radiation pattern of the emission and staying aimed at the emission source for receiving the maximum signal. The final measurement antenna elevation shall be that which maximizes the emissions. The measurement antenna elevation for maximum emissions shall be restricted to a range of heights of from 1 m to 4 m above the ground or reference ground plane.

Note:

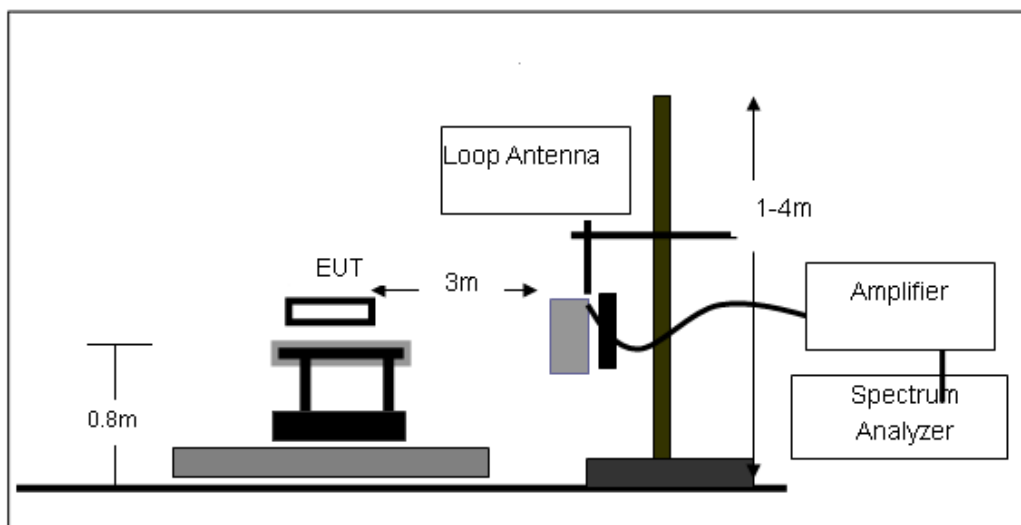
Both horizontal and vertical antenna polarities were tested and performed pretest to three orthogonal axis. The worst case emissions were reported

4.2.3 DEVIATION FROM TEST STANDARD

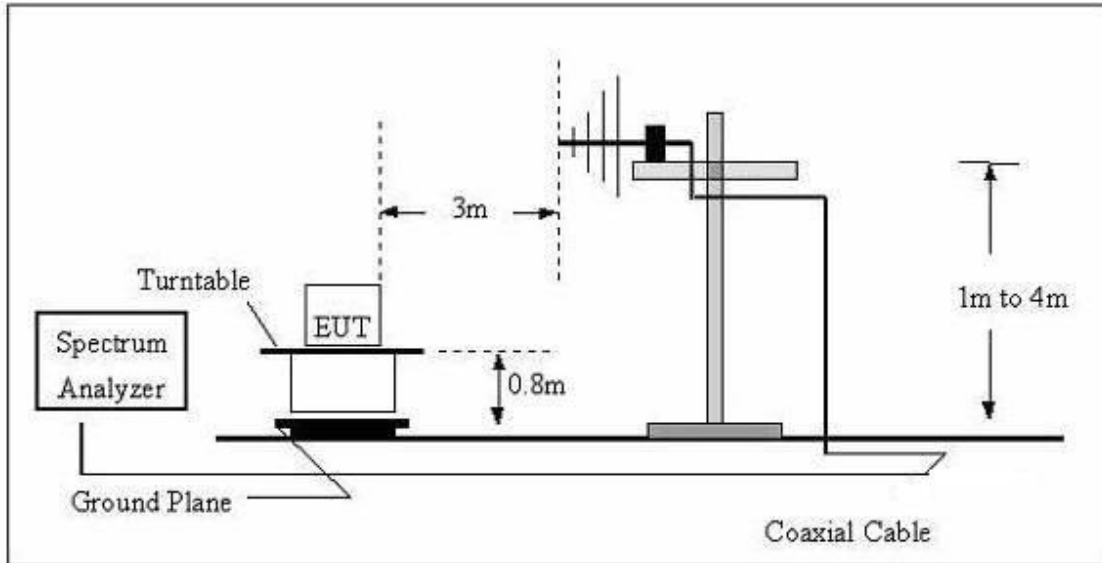
No deviation

4.2.4 TEST SETUP

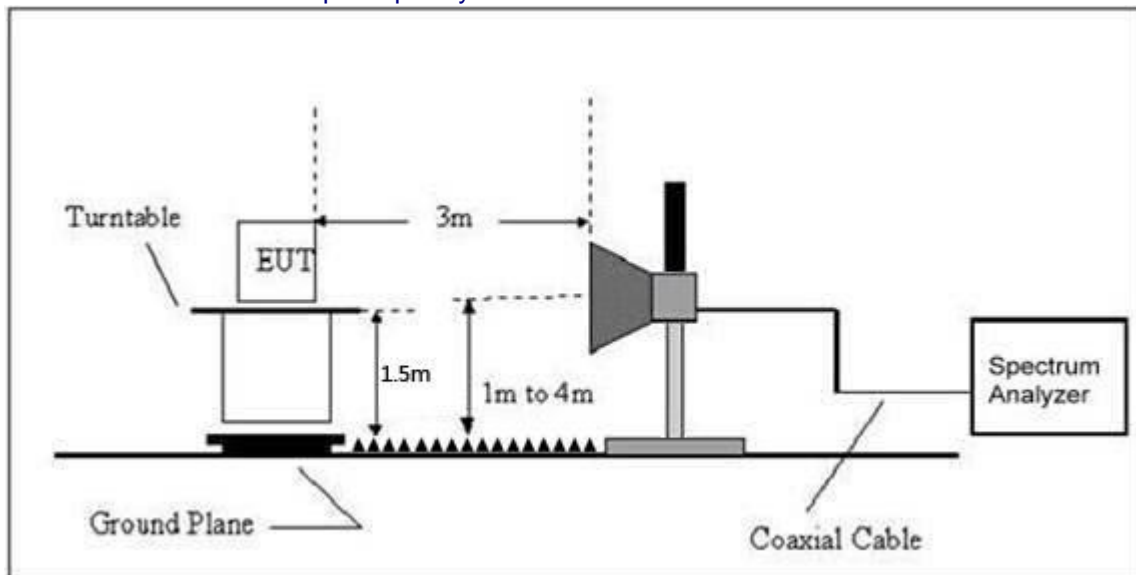
(A) Radiated Emission Test-Up Frequency Below 30MHz



(B) Radiated Emission Test-Up Frequency 30MHz~1GHz



(C) Radiated Emission Test-Up Frequency Above 1GHz



4.2.5 EUT OPERATING CONDITIONS

The EUT tested system was configured as the statements of 2.4 Unless otherwise a special operating condition is specified in the follows during the testing.

4.2.6 TEST RESULTS (Between 9KHz – 30 MHz)

The emission from 9 kHz to 30MHz was pre-tested and found the result was 20dB lower than the limit, and according to 15.31(o) & RSS-Gen 6.13, the test result no need to reported.

Field Strength of Fundamental:

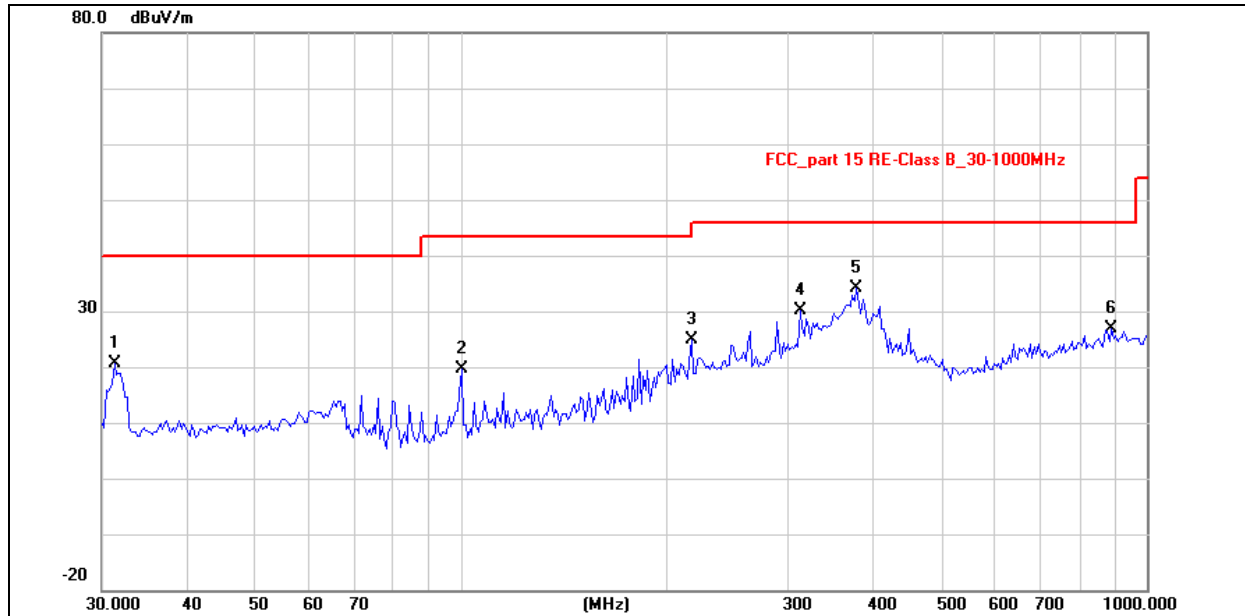
Frequency (MHz)	Emission (dBuV/m)	PK/AV	Ant. Pol.	Limits PK/AV (dBuV/m)	Margin (dB)
2402	87.49	PK	H	114	-26.51
2402	74.53	AV	H	94	-19.47
2402	84.36	PK	V	114	-29.64
2402	72.28	AV	V	94	-21.72

Frequency (MHz)	Emission (dBuV/m)	PK/AV	Ant. Pol.	Limits PK/AV (dBuV/m)	Margin (dB)
2442	86.35	PK	H	114	-27.65
2442	73.76	AV	H	94	-20.24
2442	83.06	PK	V	114	-30.94
2442	72.21	AV	V	94	-21.79

Frequency (MHz)	Emission (dBuV/m)	PK/AV	Ant. Pol.	Limits PK/AV (dBuV/m)	Margin (dB)
2480	87.58	PK	H	114	-26.42
2480	71.55	AV	H	94	-22.45
2480	85.96	PK	V	114	-28.04
2480	72.97	AV	V	94	-21.03

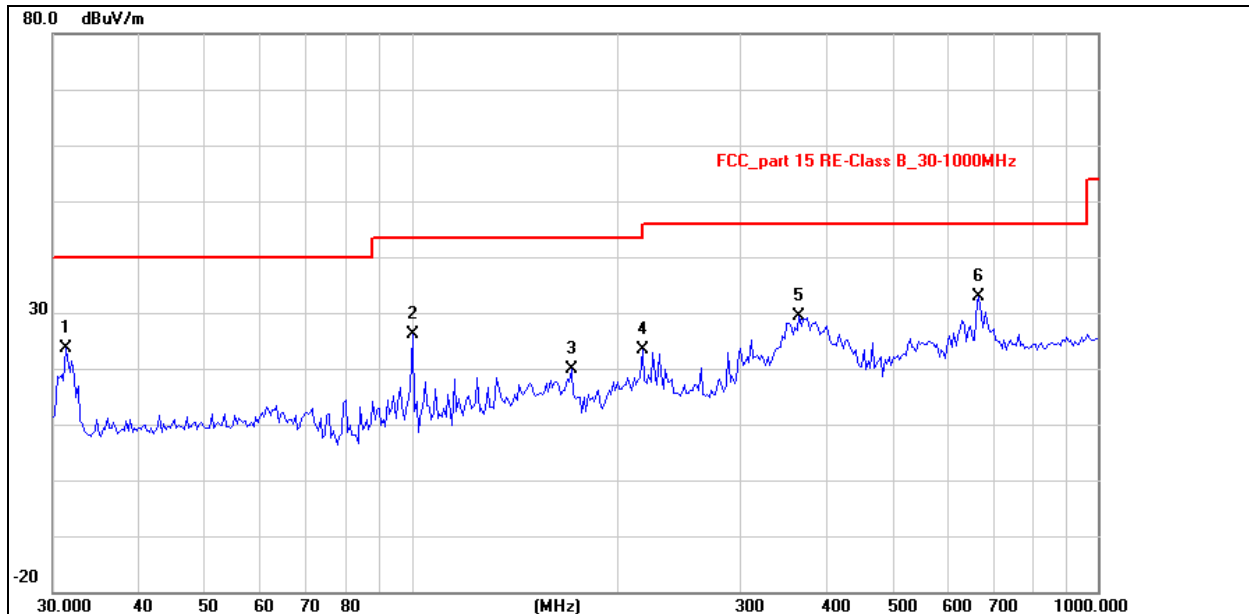
Between 30MHz – 1GHz

Temperature:	26°C	Relative Humidity:	54%
Pressure:	101 kPa	Polarization:	Horizontal
Test Voltage:	DC 3.7V		



No.	Mk.	Freq. MHz	Reading Level dBuV	Correct Factor dB/m	Measure- ment dBuV/m	Limit dBuV/m	Over dB	Detector	Antenna Height cm	Table Degree	Comment
1		31.2892	37.85	-17.11	20.74	40.00	-19.26	QP	100	360	
2		100.2285	39.60	-19.87	19.73	43.50	-23.77	QP	100	360	
3		216.7828	44.22	-19.34	24.88	46.00	-21.12	QP	100	360	
4		312.1794	45.30	-15.27	30.03	46.00	-15.97	QP	100	360	
5	*	377.2590	47.77	-13.66	34.11	46.00	-11.89	QP	100	360	
6		887.6098	30.68	-3.89	26.79	46.00	-19.21	QP	100	360	

Temperature:	26°C	Relative Humidity:	54%
Pressure:	101kPa	Polarization:	Vertical
Test Voltage:	DC 3.7V		



No. Mk.	Freq. MHz	Reading Level dBuV	Correct Factor dB/m	Measurement dBuV/m	Limit dBuV/m	Over dB	Detector	Antenna Height cm	Table Degree	Comment
1	31.2892	40.68	-17.11	23.57	40.00	-16.43	QP	100	360	
2	100.2285	45.98	-19.87	26.11	43.50	-17.39	QP	100	360	
3	170.7926	36.28	-16.32	19.96	43.50	-23.54	QP	100	360	
4	216.7828	42.63	-19.34	23.29	46.00	-22.71	QP	100	360	
5	366.8231	43.37	-13.92	29.45	46.00	-16.55	QP	100	360	
6 *	670.4892	39.59	-6.82	32.77	46.00	-13.23	QP	100	360	

Remarks:

1. Final Level = Receiver Read level + Antenna Factor + Cable Loss – Preamplifier Factor
2. The emission levels of other frequencies are very lower than the limit and not show in test report.

1GHz~25GHz

Polar (H/V)	Frequency	Meter Reading	Pre-ampli fier	Cable Loss	Antenna Factor	Emission Level	Limits	Margin	Detector Type
	(MHz)	(dBuV)	(dB)	(dB)	(dB)	(dBuV/m)	(dBuV/m)	(dB)	
Low Channel:2402MHz									
V	4804	56.08	30.55	5.77	24.66	55.96	74.00	-18.04	Pk
V	4804	41.19	30.55	5.77	24.66	41.07	54.00	-12.93	AV
V	7206	53.72	30.33	6.32	24.55	54.26	74.00	-19.74	Pk
V	7206	39.07	30.33	6.32	24.55	39.61	54.00	-14.39	AV
V	9608	50.93	30.85	7.45	24.69	52.22	74.00	-21.78	Pk
V	9608	39.00	30.85	7.45	24.69	40.29	54.00	-13.71	AV
H	4804	55.92	30.55	5.77	24.66	55.80	74.00	-18.20	Pk
H	4804	40.42	30.55	5.77	24.66	40.30	54.00	-13.70	AV
H	7206	54.02	30.33	6.32	24.55	54.56	74.00	-19.44	Pk
H	7206	41.67	30.33	6.32	24.55	42.21	54.00	-11.79	AV
H	9608	52.69	30.85	7.45	24.69	53.98	74.00	-20.02	Pk
H	9608	38.85	30.85	7.45	24.69	40.14	54.00	-13.86	AV

Polar (H/V)	Frequency	Meter Reading	Pre-ampli fier	Cable Loss	Antenna Factor	Emission Level	Limits	Margin	Detector Type
	(MHz)	(dBuV)	(dB)	(dB)	(dB)	(dBuV/m)	(dBuV/m)	(dB)	
Middle Channel:2442MHz									
V	4884	54.48	30.55	5.77	24.66	54.36	74.00	-19.64	Pk
V	4884	40.03	30.55	5.77	24.66	39.91	54.00	-14.09	AV
V	7326	54.14	30.33	6.32	24.55	54.68	74.00	-19.32	Pk
V	7326	41.42	30.33	6.32	24.55	41.96	54.00	-12.04	AV
V	9768	50.87	30.85	7.45	24.69	52.16	74.00	-21.84	Pk
V	9768	37.94	30.85	7.45	24.69	39.23	54.00	-14.77	AV
H	4884	53.81	30.55	5.77	24.66	53.69	74.00	-20.31	Pk
H	4884	41.81	30.55	5.77	24.66	41.69	54.00	-12.31	AV
H	7326	52.80	30.33	6.32	24.55	53.34	74.00	-20.66	Pk
H	7326	39.60	30.33	6.32	24.55	40.14	54.00	-13.86	AV
H	9768	51.38	30.85	7.45	24.69	52.67	74.00	-21.33	Pk
H	9768	37.94	30.85	7.45	24.69	39.23	54.00	-14.77	AV

Polar (H/V)	Frequency	Meter Reading	Pre-ampli fier	Cable Loss	Antenna Factor	Emission Level	Limits	Margin	Detector Type
	(MHz)	(dBuV)	(dB)	(dB)	(dB)	(dBuV/m)	(dBuV/m)	(dB)	
High Channel:2480MHz									
V	4960	56.47	30.55	5.77	24.66	56.35	74.00	-17.65	Pk
V	4960	41.23	30.55	5.77	24.66	41.11	54.00	-12.89	AV
V	7440	52.98	30.33	6.32	24.55	53.52	74.00	-20.48	Pk
V	7440	39.09	30.33	6.32	24.55	39.63	54.00	-14.37	AV
V	9920	50.02	30.85	7.45	24.69	51.31	74.00	-22.69	Pk
V	9920	37.47	30.85	7.45	24.69	38.76	54.00	-15.24	AV
H	4960	55.34	30.55	5.77	24.66	55.22	74.00	-18.78	Pk
H	4960	40.83	30.55	5.77	24.66	40.71	54.00	-13.29	AV
H	7440	53.42	30.33	6.32	24.55	53.96	74.00	-20.04	Pk
H	7440	41.49	30.33	6.32	24.55	42.03	54.00	-11.97	AV

H	9920	51.24	30.85	7.45	24.69	52.53	74.00	-21.47	Pk
H	9920	38.53	30.85	7.45	24.69	39.82	54.00	-14.18	AV

Remark:

1. Emission Level = Meter Reading + Antenna Factor + Cable Loss – Pre-amplifier,
Margin= Emission Level - Limit
2. If peak below the average limit, the average emission was no test.
3. The amplitude of spurious emissions which are attenuated by more than 20dB below the permissible value has no need to be reported.

5. BANDWIDTH OF FREQUENCY BAND EDGE

5.1 TEST REQUIREMENT:

Test Requirement:	FCC Part15 C Section 15.209 and 15.205				
Test Method:	ANSI C63.10: 2013				
Test Frequency Range:	All of the restrict bands were tested, only the worst band's (2310MHz to 2500MHz) data was showed.				
Test site:	Measurement Distance: 3m				
Receiver setup:	Frequency	Detector	RBW	VBW	Value
	Above 1GHz	Peak	1MHz	3MHz	Peak
		Average	1MHz	3MHz	Average

Emissions radiated outside of the specified frequency bands, except for harmonics, shall be attenuated by at least 50 dB below the level of the fundamental or to the general radiated emission limits in § 15.209, whichever is the lesser attenuation

5.2 TEST PROCEDURE

ABOVE 1GHZ TEST PROCEDURE AS BELOW:

- a. 1. The EUT was placed on the top of a rotating table 1.5 meters above the ground at a 3 meter camber. The table was rotated 360 degrees to determine the position of the highest radiation.
- b. The EUT was set 3 meters away from the interference-receiving antenna, which was mounted on the top of a variable-height antenna tower.
- c. The antenna height is varied from one meter to four meters above the ground to determine the maximum value of the field strength. Both horizontal and vertical polarizations of the antenna are set to make the measurement.
- d. For each suspected emission, the EUT was arranged to its worst case and then the antenna was tuned to heights from 1 meter to 4 meters and the rota table was turned from 0 degrees to 360 degrees to find the maximum reading.
- e. The test-receiver system was set to Peak Detect Function and Specified Bandwidth with Maximum Hold Mode.
- f. If the emission level of the EUT in peak mode was 10dB lower than the limit specified, then testing could be stopped and the peak values of the EUT would be reported. Otherwise the emissions that did not have 10dB margin would be re-tested one by one using peak, quasi-peak or average method as specified and then reported in a data sheet.
- g. Test the EUT in the lowest channel,the Highest channel

Note:

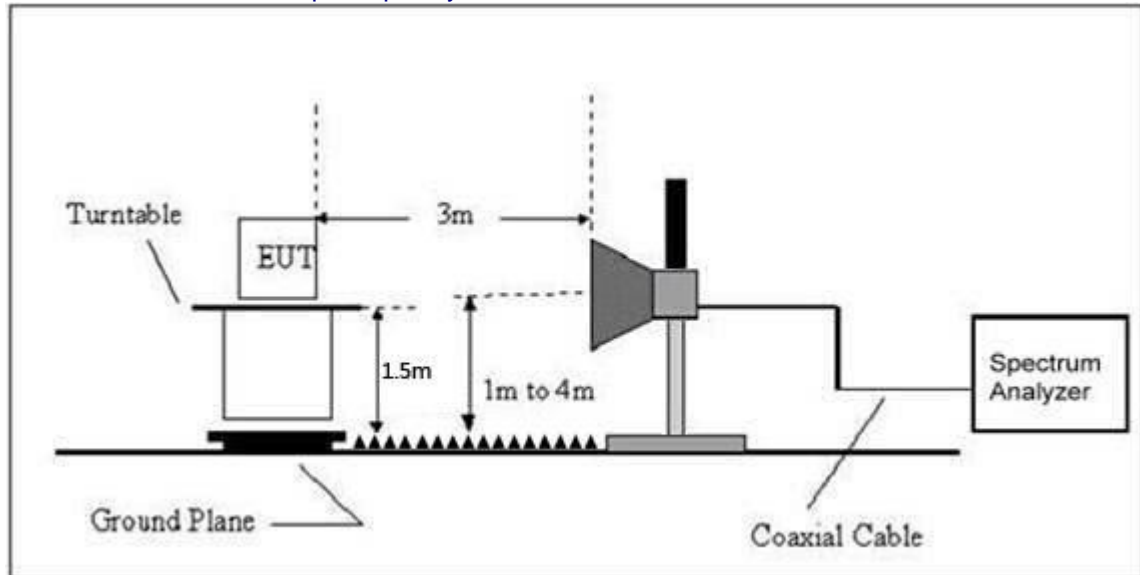
Both horizontal and vertical antenna polarities were tested and performed pretest to three orthogonal axis. The worst case emissions were reported

5.3 DEVIATION FROM TEST STANDARD

No deviation

5.4 TEST SETUP

Radiated Emission Test-Up Frequency Above 1GHz



5.5 EUT OPERATING CONDITIONS

The EUT tested system was configured as the statements of 2.3 Unless otherwise a special operating condition is specified in the follows during the testing.

5.6 TEST RESULT

	Polar (H/V)	Frequency (MHz)	Meter Reading (dBuV)	Pre-amplifier (dB)	Cable Loss (dB)	Antenna Factor (dB/m)	Emission level (dBuV/m)	Limit (dBuV/m)	Detector Type	Result
GFSK	Low Channel: 2402MHz									
	H	2390.00	50.14	30.22	4.85	23.98	48.75	74	PK	PASS
	H	2390.00	37.25	30.22	4.85	23.98	35.86	54	AV	PASS
	H	2400.00	54.39	30.22	4.85	23.98	53.00	74	PK	PASS
	H	2400.00	39.72	30.22	4.85	23.98	38.33	54	AV	PASS
	V	2390.00	51.03	30.22	4.85	23.98	49.64	74	PK	PASS
	V	2390.00	35.91	30.22	4.85	23.98	34.52	54	AV	PASS
	V	2400.00	53.00	30.22	4.85	23.98	51.61	74	PK	PASS
	V	2400.00	37.99	30.22	4.85	23.98	36.60	54	AV	PASS
	High Channel: 2480MHz									
	H	2483.50	52.58	30.22	4.85	23.98	51.19	74	PK	PASS
	H	2485.50	39.32	30.22	4.85	23.98	37.93	54	AV	PASS
	H	2483.50	55.12	30.22	4.85	23.98	53.73	74	PK	PASS
	H	2485.50	37.58	30.22	4.85	23.98	36.19	54	AV	PASS
	V	2483.50	59.69	30.22	4.85	23.98	58.30	74	PK	PASS
	V	2485.50	43.77	30.22	4.85	23.98	42.38	54	AV	PASS
	V	2483.50	60.84	30.22	4.85	23.98	59.45	74	PK	PASS
	V	2485.50	47.93	30.22	4.85	23.98	46.54	54	AV	PASS
Remark:										
1. Emission Level = Meter Reading + Antenna Factor + Cable Loss – Pre-amplifier, Margin= Emission Level - Limit										

6. CHANNEL BANDWIDTH

Test Requirement:	FCC Part15 C Section 15.215 (c)
Test Method:	ANSI C63.10: 2013

6.1 APPLIED PROCEDURES / LIMIT

FCC Part15 (15.215)			
Section	Test Item	Frequency Range (MHz)	Result
15.215 (c)	Bandwidth	2400-2483.5	PASS

6.2 TEST PROCEDURE

1. Set resolution bandwidth (RBW) = 1-5% or DTS BW, not to exceed 100 kHz.
2. Set the video bandwidth (VBW) $\geq 3 \times$ RBW.
3. Detector = Peak.
4. Trace mode = max hold.
5. Sweep = auto couple.
6. Allow the trace to stabilize.
7. Measure the maximum width of the emission that is constrained by the frequencies associated with the two outermost amplitude points (upper and lower) that are attenuated by 6 dB relative to the maximum level measured in the fundamental emission.

6.3 DEVIATION FROM STANDARD

No deviation.

6.4 TEST SETUP



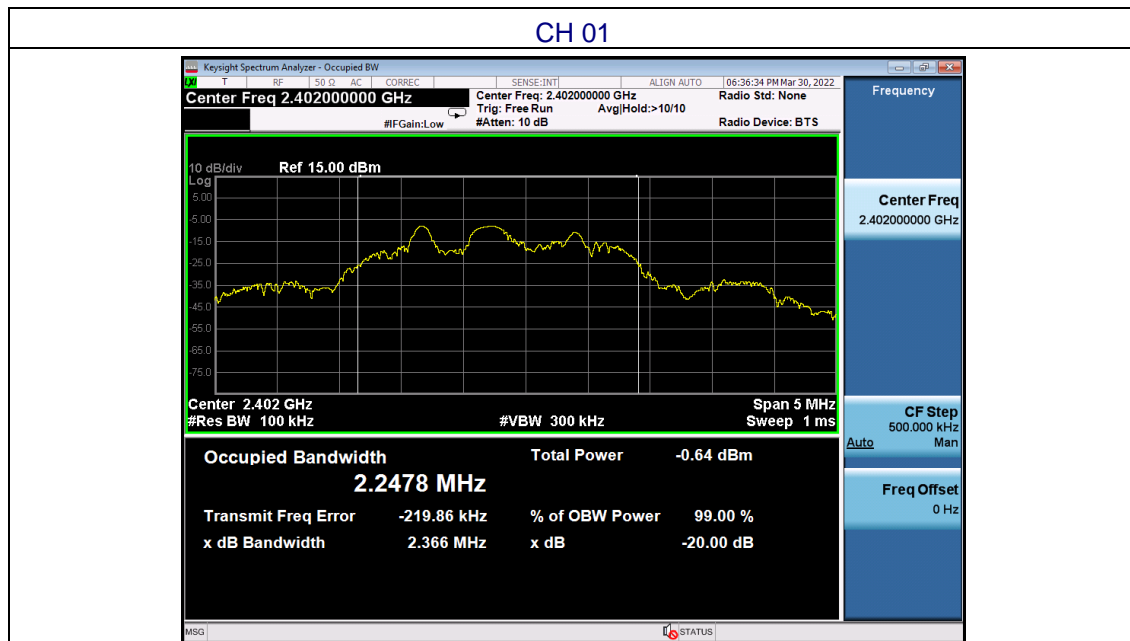
6.5 EUT OPERATION CONDITIONS

The EUT tested system was configured as the statements of 2.4 Unless otherwise a special operating condition is specified in the follows during the testing.

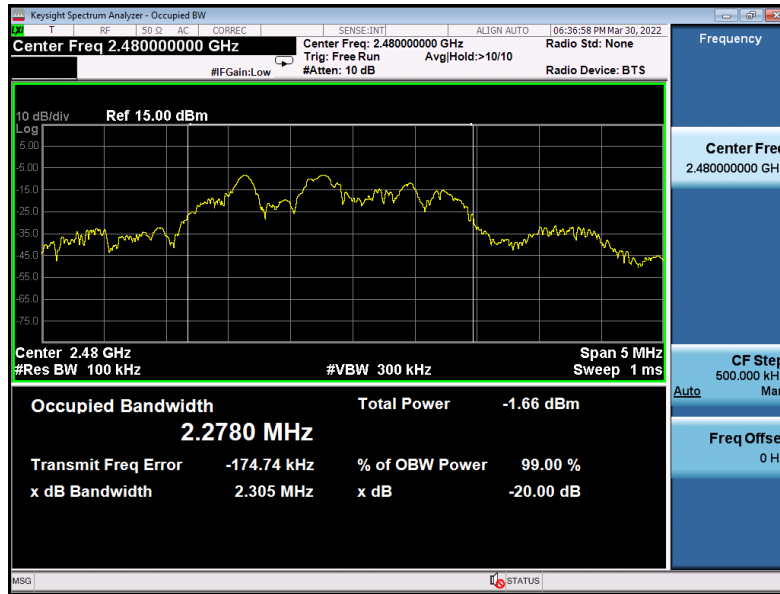
6.6 TEST RESULTS

Temperature :	26°C	Relative Humidity :	54%
Test Mode :	GFSK	Test Voltage :	DC 3.7V

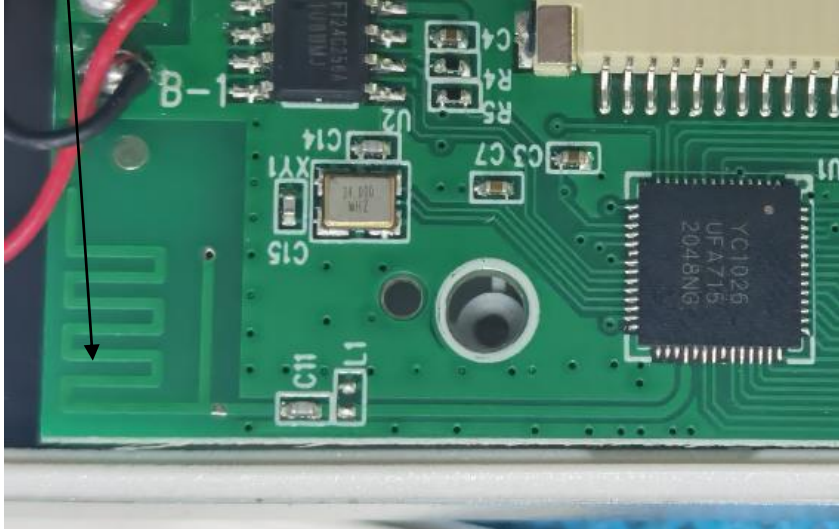
Test channel	Channel Bandwidth (MHz)	Result
Lowest	2.366	Pass
Middle	2.322	
Highest	2.305	



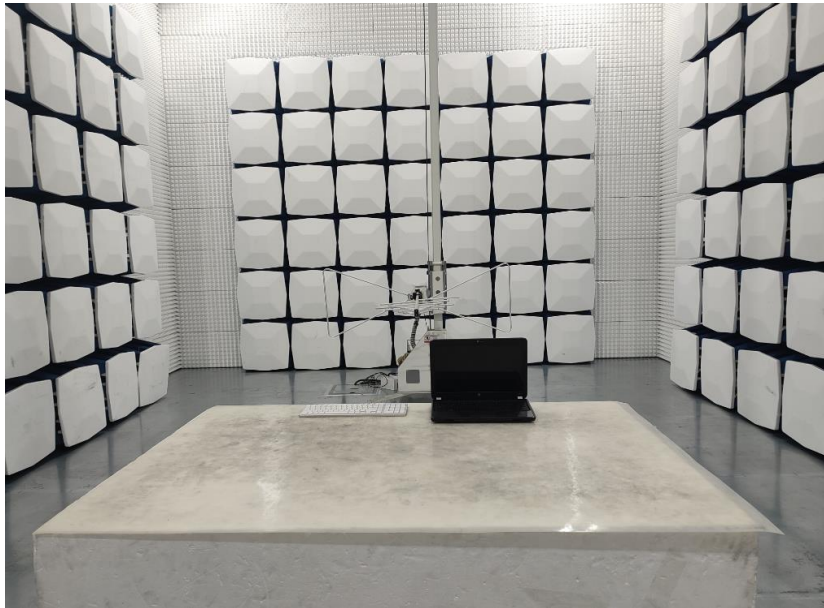
CH20

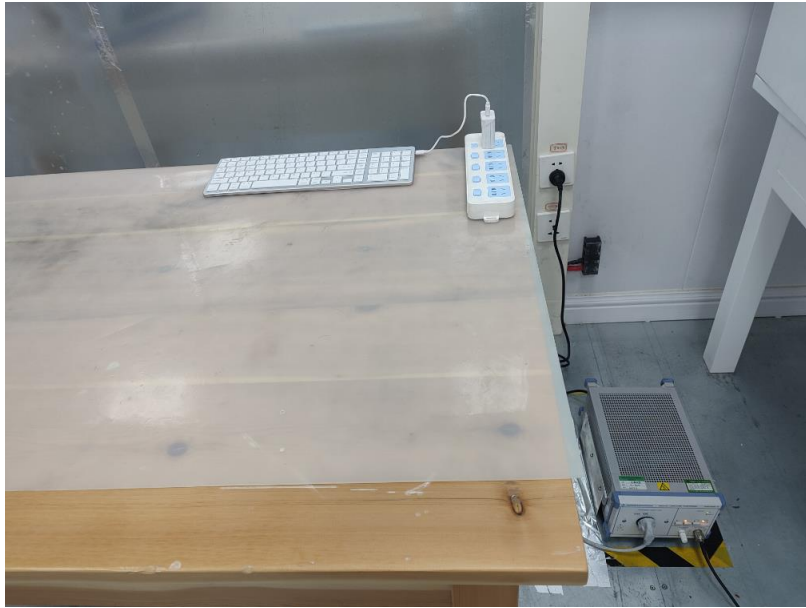


7.ANTENNA REQUIREMENT

Standard requirement:	FCC Part15 C Section 15.203
<p>15.203 requirement: An intentional radiator shall be designed to ensure that no antenna other than that furnished by the responsible party shall be used with the device. The use of a permanently attached antenna or of an antenna that uses a unique coupling to the intentional radiator, the manufacturer may design the unit so that a broken antenna can be replaced by the user, but the use of a standard antenna jack or electrical connector is prohibited.</p>	
<p>EUT Antenna:</p>	
<p>The antenna is PCB antenna, the best case gain of the antennas are 0dBi, reference to the below photo for details</p> <p>ANT</p> 	

9. TEST SETUP PHOTO





10. EUT CONSTRUCTIONAL DETAILS

Reference to the External photos file and internal photos file for details.

******* END OF REPORT *******