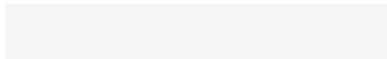
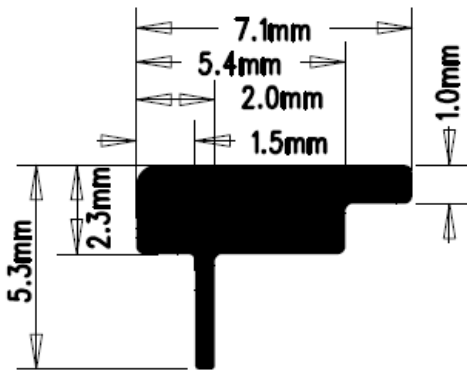


1. Antenna Description:

Antenna type	PCB antenna
Model	BY967-2
Frequency range	5180-5240MHz
Manufacturer	Shenzhen Boyi Electronics Co., Ltd.
ANT Peak Gain	0.92 dBi

2. Antenna Photo:

WIFI_5G_ANT



3. Test Equipment & Conditions

3.1 Test instrument

VSWR is tested using Agilent E5071B connected to a hand mechanism, and the status is free space.

3.2 Test environment and methods

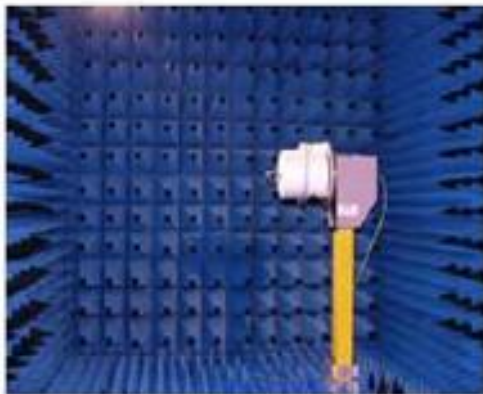
Dark room specifications: ETS-743

TD-SCDMA test equipment: StarPoint SP6010/Agilent 8960

LTE-TDD/FDD-SCDMA test equipment: StarPoint SP8011/CMW500

WCDMA/GSM/CDMA test equipment: Agilent 8960

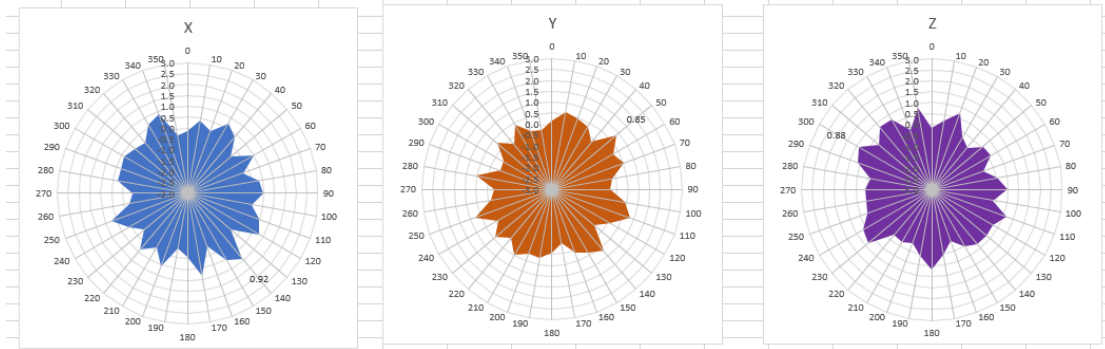
Passive efficiency testing equipment: Agilent Technologies E5071B



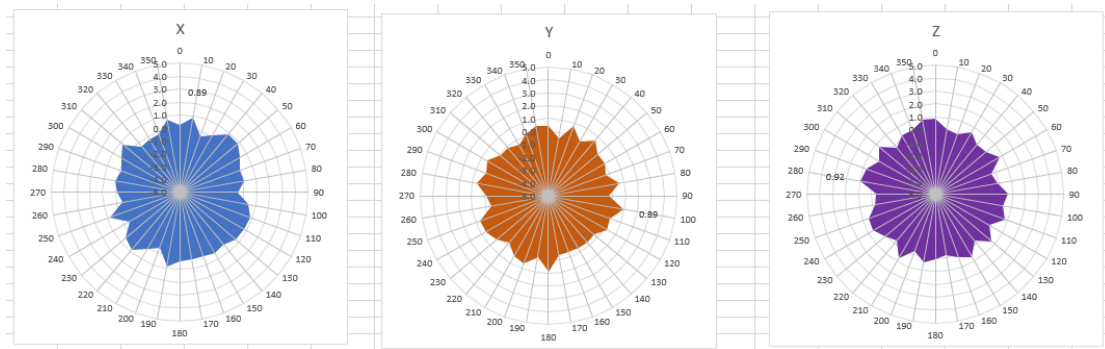
4 . Antenna Radiation Pattern



5180MHz



5220MHz



5240MHz

