

Justification statement for Antenna

To: Federal Communication Commission
Equipment Authorization Branch
7435 Oakland Mills Road
Columbia, MID 21046

Regarding: 2A5UQ-OMNIAC20

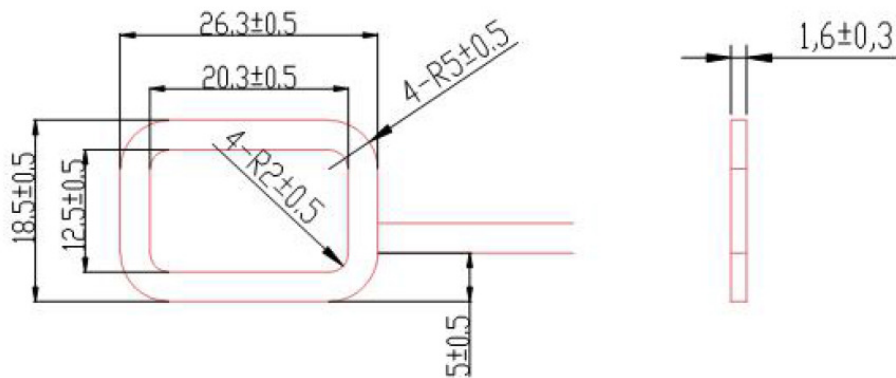
Dear Sir/Madam,

Only radiated measurements are used for EUT with *FCC ID: 2A5UQ-OMNIAC20* to show compliance with FCC limits for fundamental and spurious emissions. All measurements were performed radiated and therefore additional antenna gain documentation is not required.

The detailed information for antenna as below shows:

125KHz antenna

Design Specifications	Typical
Antenna Type	Coil
Working Frequency	125KHz
Overall Dimensions	18.5*26.3mm



13.56MHz antenna

Design Specifications	Typical
Antenna Type	PCB Antenna
Working Frequency	13.56MHz
Overall Dimensions	27.6*39.8mm

