

Antenna Specification

Antenna model: BGM220S22A

Antenna manufacturer: Silicon Labs

Antenna manufacturer address: 400 West Cesar Chavez Austin, TX 78701 USA

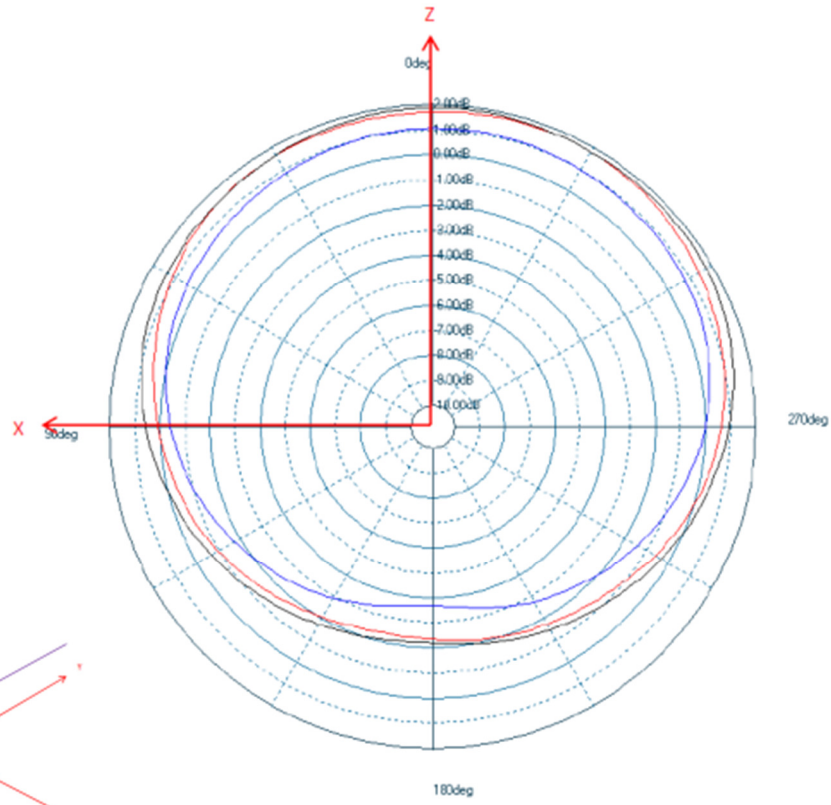
1 Basic Specifications

No.	Specification	Descriptions	Notes
1	Antenna Name	Integral Antenna	
2	Brand	2.4GHz	
3	Operation Frequency	2.402~2.480GHz	
4	Impedance	50ohm	
5	Gain	2dBi	
6	Efficiency	$\geq 10\%$	
7	VSWR	≤ 2.8	

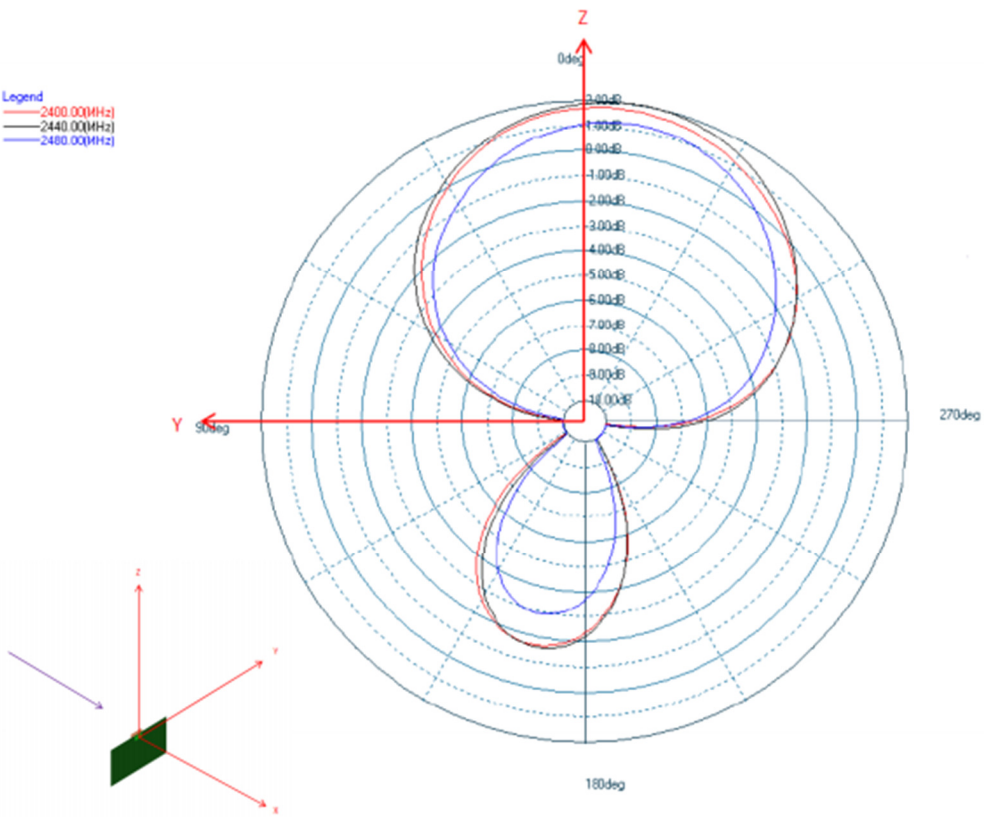
2 radiation pattern

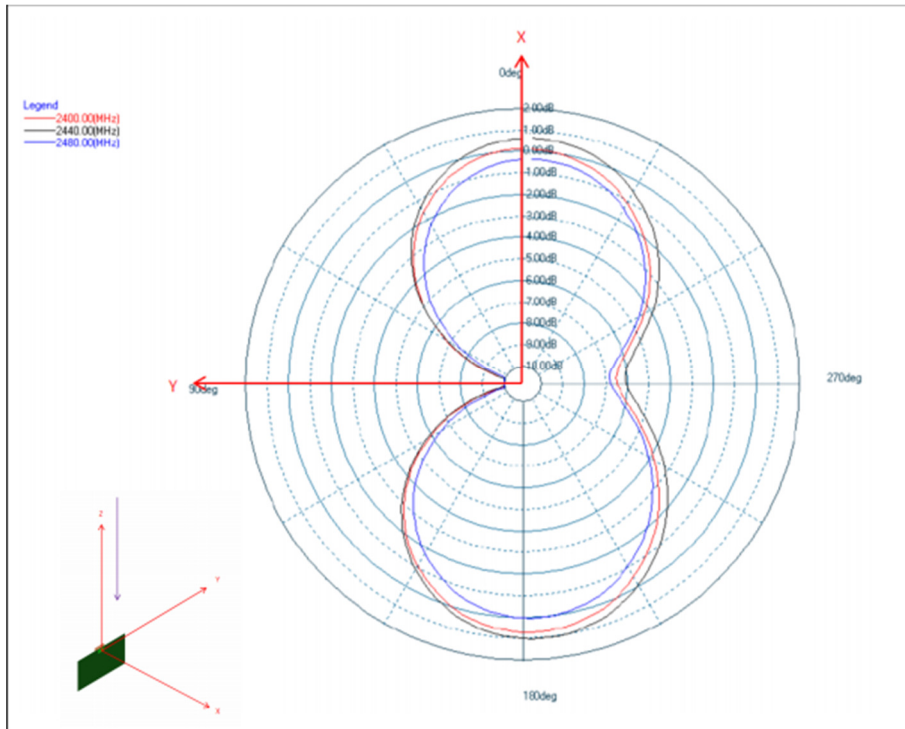
Frequency (MHz)	Efficiency	Gain(dBi)
2400	16%	2.0
2420	15%	1.9
2440	13%	1.5
2460	10%	1.3
2480	12%	1.4

Legend
— 2400.00(MHz)
— 2440.00(MHz)
— 2480.00(MHz)



Legend
— 2400.00(MHz)
— 2440.00(MHz)
— 2480.00(MHz)





3 Structure drawing

