

Preface

Thank you for purchasing FLASHHOOT LED video light!
The X series LED video light has stable light source, high CRI/TLCl and powerful functions. It is suitable for video shooting, studio shooting, still life shooting, and interviewing lighting. It comes with 2.4G remote controller which supports group control, brightness adjustment and EFFECT functions adjustment.

Product Highlights::

- 60W high brightness and stable LED bead
- CRI up to 96. R9 up to 90. TLCl (Qa) up to 95.
- Comes with 6 groups, 12 channels 2.4G wireless remote controller which supports wireless brightness adjustment of each light
- DC15V input. Optional battery plate to support NP battery, such as NP-F970/NP-F750/NP-F550
- Large LCD screen accurately shows the status of the light. Parameters are automatically saved.
- Specially designed lamp bead protection cover to avoid damage caused by touch or collision
- Built-in high-efficiency thermal module with temperature control protection for extended light life
- Standardized Bowens mount design offers you a variety of lighting control requirements, easily operated and highly versatile.
- Support multi-light and multi-remote control mode, any light or controller adjustment can be synchronized to all the lights in the same channel and same group
- 5 light effects, inspire creativity



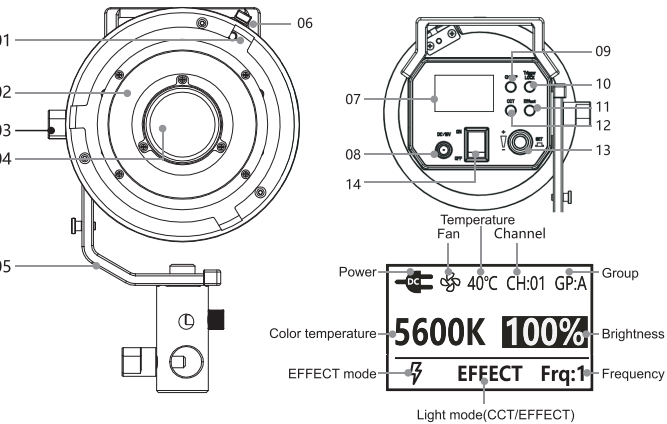
WARNING

- ⚠ Do not face the light directly when the light is on.
- ⚠ Do not place any object on the light or flow liquid into its interior.
- ⚠ Do not block the vents during use to avoid affecting heat dissipation or further damage to the light.
The surface temperature of the lamp is high after the lamp is lit for a long time, please be careful!
- ⚠ This light has a temperature protection function. When the temperature of the light is higher than 65°C, the Temperature icon flashes. When the temperature of the light is higher than 70°C, the brightness of the light will be limited to a maximum of 20% brightness.
- ⚠ Do not touch the light with wet hands, nor immerse the light in water or expose it to rain.
- ⚠ Do not disassemble or modify the product. If the product is damaged due to falling or other accidents, please send the product to a factory-authorized repair center for inspection and repair.

INSTRUCTIONS

English

部件

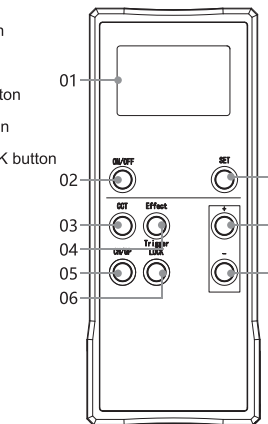


X60 Light:

01. Bowens mount
02. Protection cover
03. Clamp handle
04. COB Light
05. L-frame
06. Ejector handle
07. LCD Screen
08. Power input port (DC15V)
09. CH/GP button
10. Trigger/LOCK button
11. EFFECT button
12. CCT button
13. Brightness wheel / SET button
14. Power switch

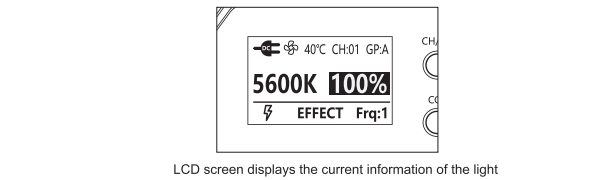
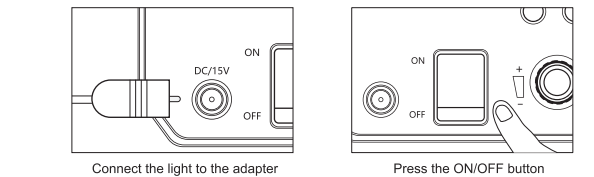
Remote control:

01. LCD Screen
02. Power switch
03. CCT button
04. EFFECT button
05. CH/GP button
06. Trigger/LOCK button
07. SET button
08. + button
09. - button



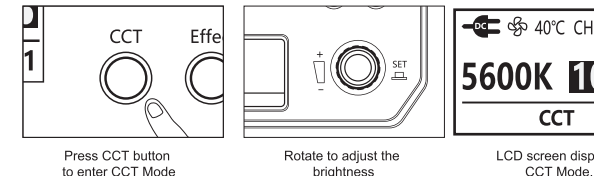
1, Start using the light

Connect the light to the adapter which is connected to the AC power supply. Press the ON/OFF button to start the light and the LCD screen displays the light's current information.



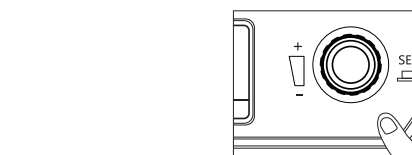
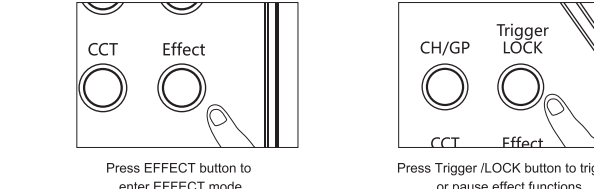
2, CCT mode adjustment

Press CCT button to enter CCT Mode, LCD screen displays CCT Mode. Rotate the light adjustment wheel to adjust the brightness. Brightness adjustable range: 1% to 100%



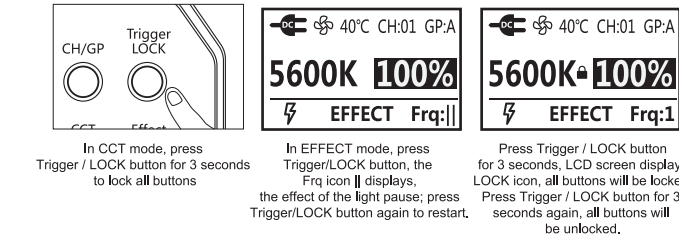
3, EFFECT Mode

Press EFFECT button to enter EFFECT Mode, LCD screen displays EFFECT Mode. EFFECT Mode brightness adjustable range: 10% to 100%. Short press Trigger/LOCK button in EFFECT Mode to trigger or pause effect functions. Short press SET button in EFFECT Mode to switch brightness and frequency.



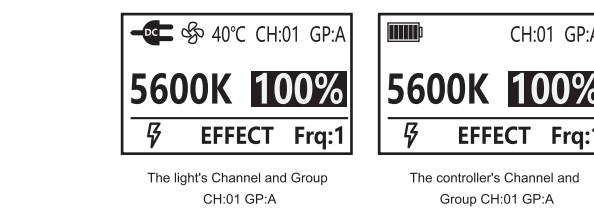
4, Button locking settings

In CCT mode, press Trigger / LOCK button for 3 seconds to lock all buttons, the screen displays the lock icon. It can prevent mishandling. Press Trigger/Lock button for another 3 seconds to unlock all buttons.



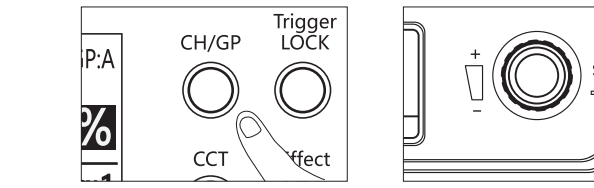
5, Channel / Group Match

This product has 2.4G wireless control function. It can control 6 groups and 12 channels of lights at the same time. Before use, please align the group / channel of the light and the remote controller.

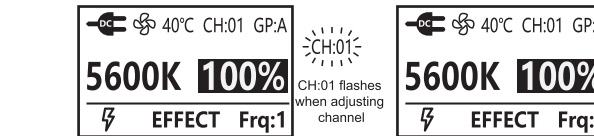


6, X60 light Channel / Group Adjustment

Press CCT button to make sure the light is in CCT Mode. Press CH/GP button, when the GP icon flashes, rotate the adjustment wheel to change the group. Press CH/GP button for 2 times, when the CH icon flashes, rotate the adjustment wheel to change the channel.

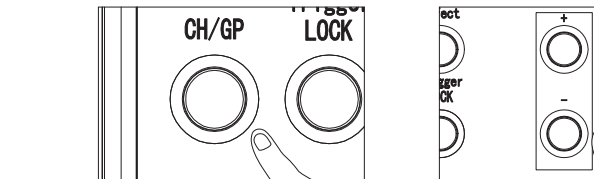


Press CH/GP button to adjust group(A-F)
Press CH/GP button 2 times to adjust channel(1-12)



7, Remote controller channel / group adjustments

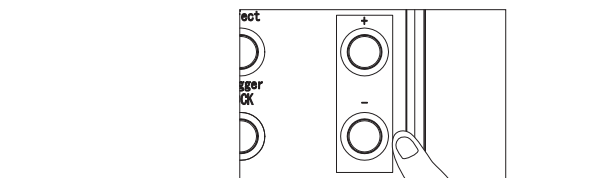
Press CCT button to make sure the light is in CCT Mode. Press CH/GP button, when the GP icon flashes, change the group by pressing "+" / "-" button. Press CH/GP button 2 times, when the CH icon flashes, change the channel by pressing "+" / "-" button.



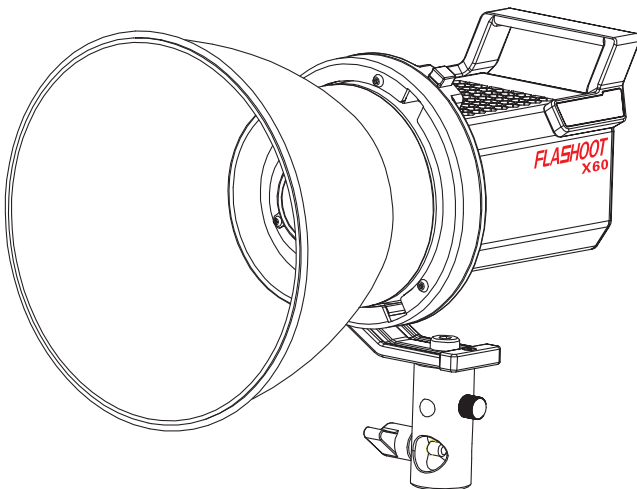
Press CH/GP button to adjust group(A-F)
Press CH/GP button 2 times to adjust channel(1-12)

8, Remote controller operation

The brightness of the light can be adjusted by pressing "+" / "-" button when the light is in CCT Mode. The "+" / "-" button can be used to adjustment other functions.



Press "+" / "-" button to adjust brightness



使用指南

中文

前言

感谢您购买 FLASHHOOT 产品！

X 系列摄影灯光源稳定，显色性好，功能强大，非常适用于视频拍摄、影棚拍摄、静物拍摄、以及采访布光等。配备专用 2.4G 遥控器，可无线分组调光，无线调节亮度，功能丰富，操作便捷。

产品具有以下亮点：

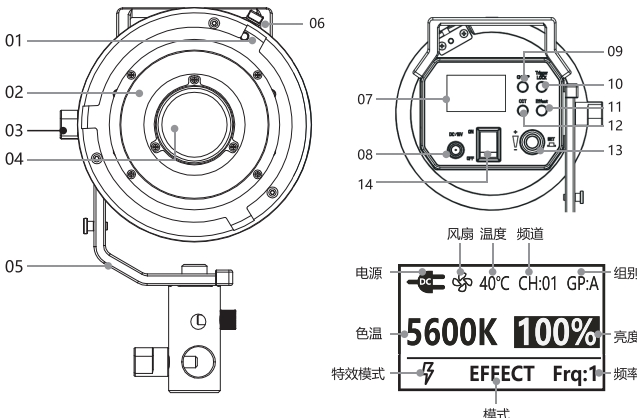
- 60W 大功率 LED 灯珠亮度高，光源稳定
- 显色指数高达 96 以上，R9 高达 90 以上，TLCI(Qa)>95，真实还原物体色彩
- 标配 2.4G 6 组 12 频道无线遥控器，无线调节各组亮度
- DC15V 输入。选配电池供电盒，可支持 NP 电池供电
- 大液晶屏精准显示，参数自动保存
- 专门设计灯珠保护罩，避免灯珠因触摸、碰撞引起损坏
- 内置高效散热模组，具有温度控制保护，延长灯珠使用寿命
- 通用保荣卡口设计 兼容性强 可以拓展外接更多可控光效附件 轻松实现各种创意
- 支持多灯多遥控器互联互通的控制模式，同一频道同一组的灯跟遥控器，调整任意一台设备即可同步控制所以同频道同组别的所有设备
- 预设 5 种光效 激发创意灵感



注意事项

- △ 当摄影灯点亮时，请勿直视。
- △ 切勿将任何物体置于灯具上或使液体流入其内部。
- △ 在使用过程中，通风孔切勿有遮挡物，以免影响散热，导致设备损坏，长时间使用灯具时，灯具表面温度较高，请注意防烫。
- △ 此机有温度保护功能，当温度过高 (>65°C 时、温度图标闪烁，>70°C 时，进入保护状态，限定最高亮度 20%)，当温度降低后恢复正常。
- △ 请勿用湿手接触产品，亦不可将产品浸入水中或暴露于雨中。
- △ 请勿拆卸或改造产品。若本产品因为摔落或其他意外事故造成破损，请将产品送至厂家授权的维修中心进行检查维修。

部件

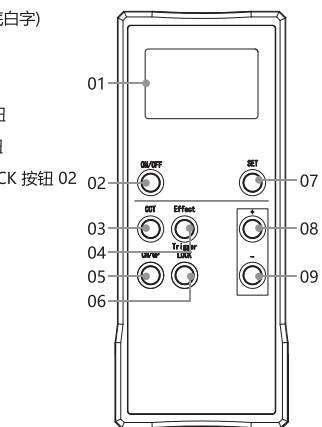


主机：

01. 附件卡槽
02. 灯珠保护罩
03. 方向调节把手
04. LED 灯珠
05. L 形支架
06. 锁定按钮
07. LCD 屏 (蓝底白字)
08. 电源接口 (DC:15V)
09. CH/GP 按钮
10. Trigger/LOCK 按钮
11. EFFECT 按钮
12. CCT 按钮
13. 亮度旋钮 /SET 按钮
14. 电源开关

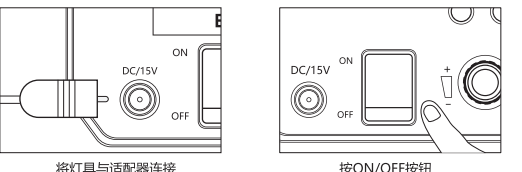
遥控器：

01. LCD 屏(蓝底白字)
02. 电源按钮
03. CCT 按钮
04. EFFECT 按钮
05. CH/GP 按钮
06. Trigger/LOCK 按钮
07. 08 09
07. SET 按钮
08. 上调按钮
09. 下调按钮



1、开始使用摄影灯

将灯具与适配器连接，适配器连接 AC 电源。按 ON/OFF 按钮，摄影灯开始发光 LCD 显示主机当前信息



将灯具与适配器连接

按ON/OFF按钮



LCD显示主机当前信息

2、CCT 模式调节

按 CCT 进入 CCT 模式，LCD 屏显示 CCT 模式。旋转主机上的调节旋钮可对亮度进行调整。亮度可调节范围：1%~100%



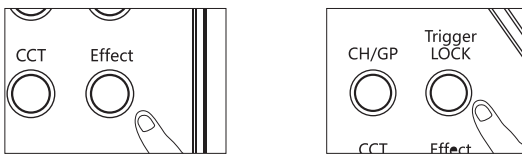
按 CCT 进入常亮模式

旋转调整亮度

LCD 屏幕显示 CCT 模式

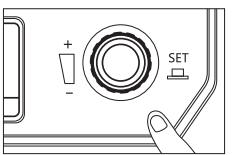
3、Effect 特效模式

按 EFFECT 进入特效模式，LCD 屏显示 EFFECT 模式。亮度可调节范围：10%~100%。在 Effect 模式下短按 Trigger / LOCK 暂停或触发特效灯光。在 Effect 模式下短按 SET 键切换亮度跟 频率参数调整。



按 Effect 进入特效模式

按 Trigger / LOCK 暂停或触发特效灯光



短按切换亮度或频率参数调整

4、按键锁定设置

长按 Trigger / LOCK 键 3 秒锁定所有按键，屏幕显示锁定图标、防止误操 再长按 3 秒或重新开机解锁。



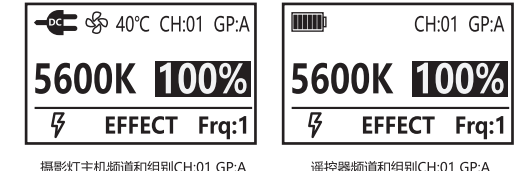
长按 3 秒 Trigger / LOCK 锁定或者解锁

单击 Trigger/LOCK Frq 显示||、特效暂停 再次单击特效开始

长按三秒 Trigger/LOCK 屏幕中央显示 所有按键锁定、再长按 3 秒或重新开机解锁

5、频道 / 组别匹配

本产品具备无线遥控功能，使用 2.4G 无线技术，无视角限制，距离远，可同时分别控制 6 组摄影灯。12 组传输频道，抗干扰能力强。使用前请把摄影灯主机和遥控器的频道与组别调至一致。

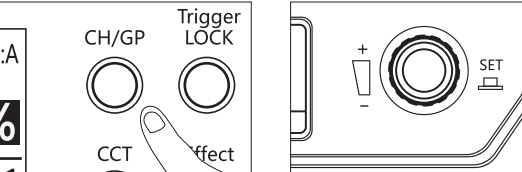


摄影灯主机频道和组别CH:01 GP:A

遥控器频道和组别CH:01 GP:A

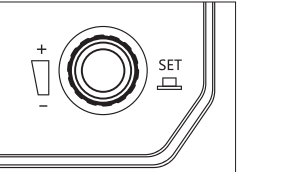
6、X60 主机频道 / 组别调整

在 CCT 模式时，按 CH/GP 按钮，此时组别闪烁，旋转调节旋钮可选择组别 (A~F) 在常态时，按 CH/GP 按钮 2 次，此时频道闪烁，旋转调节旋钮可选择频道 (1~12)T



单击调节组别 (A~F)

双击调节频道 (1~12)



旋转调节组别 / 频道

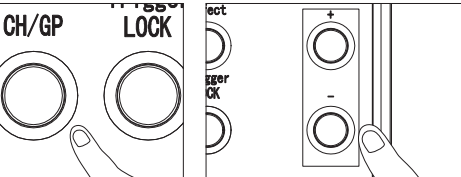


调节频道时 CH:01 闪烁

调节组别时 GP:A 闪烁

7、遥控器频道 / 组别调整

在 CCT 模式时，按 CH/GP 按钮，此时组别闪烁，按加减按钮可选择组别 (A~F)；在常态时，按 CH/GP 按钮 2 次，此时频道闪烁，按加减按钮可选择频道 (1~12)；



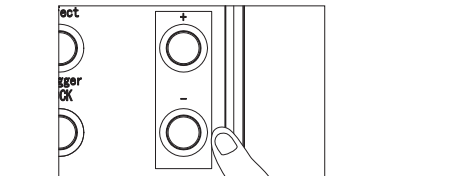
单击调节组别 (A~F)

双击调节频道 (1~12)

按 +/- 选择频道 / 组别

8、遥控器操作

在 CCT 模式时，按 "-" "+" 按钮可对亮度调整。在 CCT 模式时、其他按键功能与主机相同。



按 +/- 对亮度进行调整

This device complies with Part 15 of the FCC Rules. Operation is subject to the following two conditions: (1) this device may not cause harmful interference, and (2) this device must accept any interference received, including interference that may cause undesired operation

NOTE: This equipment has been tested and found to comply with the limits for a Class B digital device, pursuant to Part 15 of the FCC Rules. These limits are designed to provide reasonable protection against harmful interference in a residential installation. This equipment generates, uses and can radiate radio frequency energy and, if not installed and used in accordance with the instructions, may cause harmful interference to radio communications. However, there is no guarantee that

interference will not occur in a particular installation.

If this equipment does cause harmful interference to radio or television reception, which can be determined by turning the equipment off and on, the user is encouraged to try to correct the interference by one or more of the following measures:

- Reorient or relocate the receiving antenna.
- Increase the separation between the equipment and receiver.
- Connect the equipment into an outlet on a circuit different from that to which the receiver is connected.
- Consult the dealer or an experienced radio/TV technician for help.

Warning: changes or modifications not expressly approved by the party responsible for compliance could void the user's authority to operate the equipment

The device has been evaluated to meet general RF exposure requirements, the device can be used in portable exposure conditions without restriction