

# FOCUSOUND™ DUO



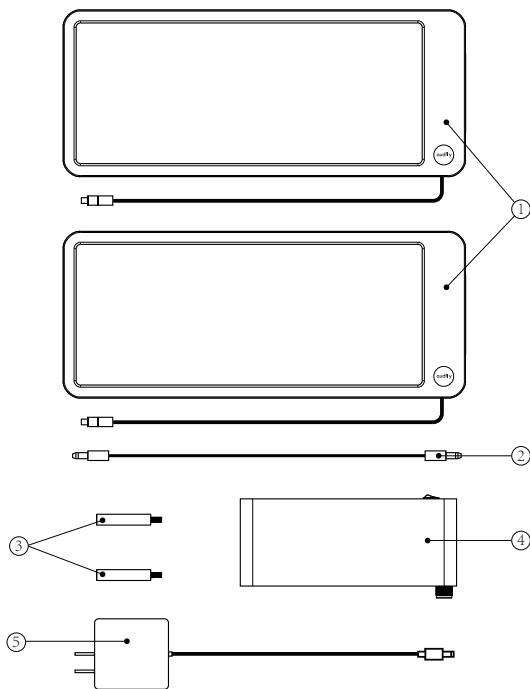
The see-thru glass directional speaker

## Quick start

Audfly Technology Co., Limited

# FOCUSOUND™ DUO

## Contents

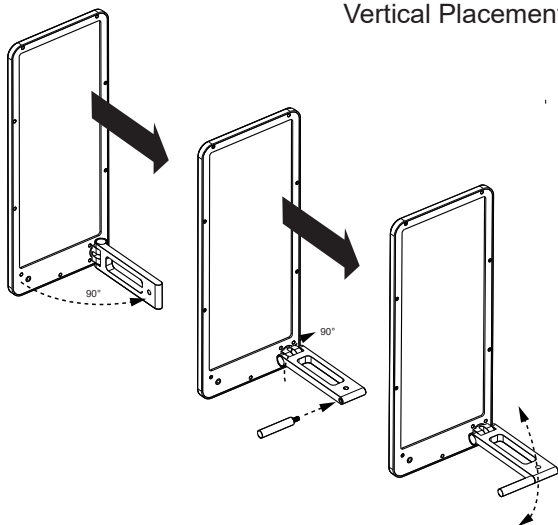


- ① Focusound glass speaker
- ② 3.5mm Audio Cable
- ③ Stand
- ④ Driver
- ⑤ Power Adapter

# FOCUSOUND™ DUO

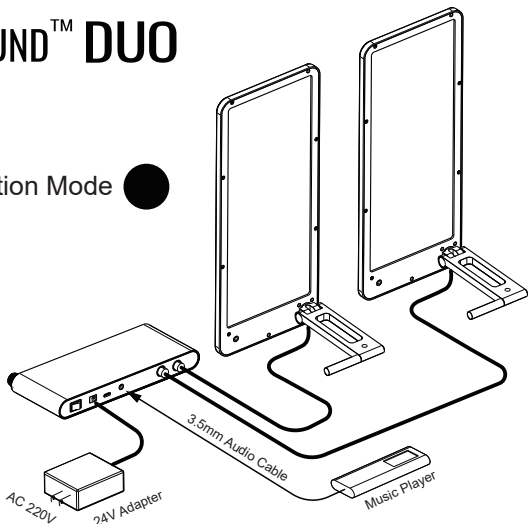


Vertical Placement

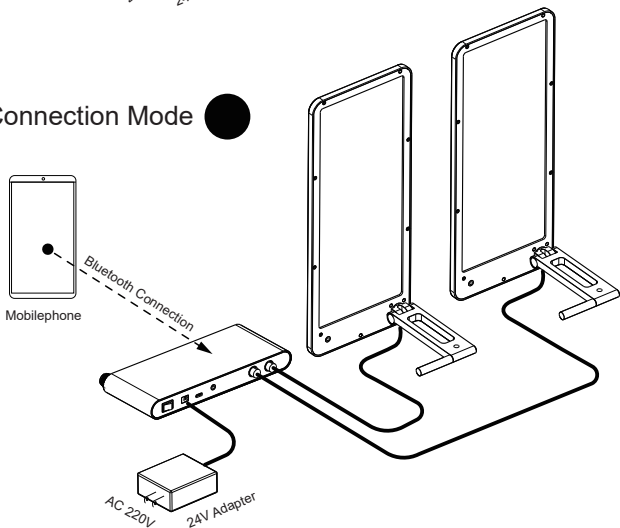


# FOCUSOUND™ DUO

Connection Mode ●

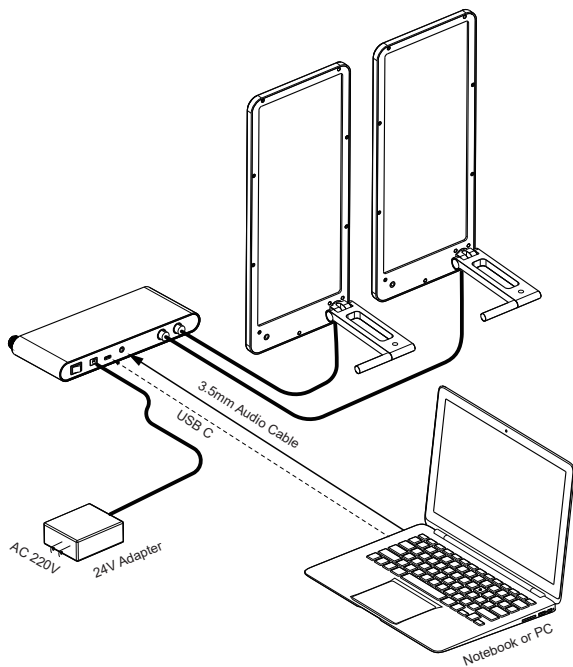


Connection Mode ●



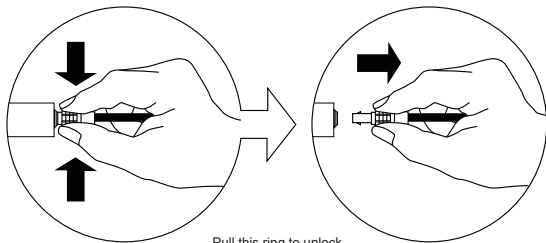
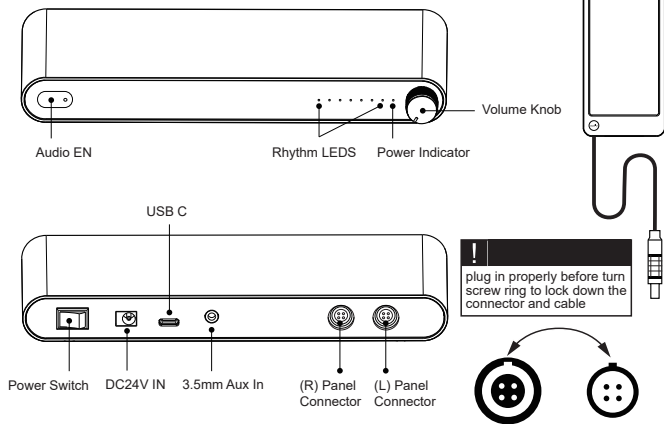
# FOCUSOUND™ DUO

Connection Mode



# FOCUSOUND™ DUO

## Description(Driver)



Pull this ring to unlock

# FOCUSOUND™

## **!** WARNING: ULTRASOUND SAFETY AND ELECTRICAL HAZARDS

The Focusound parametric speaker array system uses ultrasound technology that can be harmful if not used appropriately. Exposure to ultrasound at high volumes or for prolonged periods of time can cause permanent hearing loss or other health issues.

**To minimize the risk of harm, we recommend the following precautions:**

- Limit listening time to 30 minutes per day to avoid prolonged exposure
- Use the product at a comfortable volume level and never at a volume that causes discomfort or pain
- Keep the product away from infants, young children, and pets
- Do not use the product near electronic medical devices, such as pacemakers, as ultrasound can interfere with their operation
- Ensure that the product is properly grounded and connected to a safe electrical source
- Do not open the product casing, as there are high-voltage components inside the driver
- Do not attempt to repair the product yourself. If you experience any issues, contact our customer support team for assistance.

By following these guidelines, you can reduce the risk of harm associated with ultrasound exposure and electrical hazards. If you have any questions or concerns about using the Focusound parametric speaker array system, please contact us for further assistance.

# FOCUSOUND™ DUO

## Technical Specifications

Item	Result
Product model	DUO
Audible sound SPL	75±3dB@1m 1KHz
Frequency range	500Hz-20KHz
Total harmonic distortion	10±5%
Rated power	10±3W
Radiation angle	15°±3°(-20dB)
Color	Gray
Power adapter	Input:100-240Vac 50/60Hz
	Output:24V DC/2A
Input port	3.5mm AUX IN
	Type-C
	Bluetooth 5.1
Size	370.3*152*8.7mm (Size of screen frame)
	200*81*23mm (Size of drive)



# FOCUSOUND™ DUO

## **FCC Radiation Exposure Statement:**

This equipment complies with FCC radiation exposure limits set forth for an uncontrolled environment. This equipment should be installed and operated with minimum distance 20cm between the radiator & your body.

## **FCC STATEMENT**

This device complies with part 15 of the FCC Rules. Operation is subject to the following two conditions:

- (1) This device may not cause harmful interference, and
- (2) this device must accept any interference received, including interference that may cause undesired operation.

**NOTE:** This equipment has been tested and found to comply with the limits for a Class B digital device, pursuant to part 15 of the FCC Rules. These limits are designed to provide reasonable protection against harmful interference in a residential installation.

This equipment generates, uses and can radiate radio frequency energy and, if not installed and used in accordance with the instructions, may cause harmful interference to radio communications. However, there is no guarantee that interference will not occur in a particular installation. If this equipment does cause harmful interference to radio or television reception, which can be determined by turning the equipment off and on, the user is encouraged to try to correct the interference by one or more of the following measures:

- Reorient or relocate the receiving antenna.
- Increase the separation between the equipment and receiver.
- Connect the equipment into an outlet on a circuit different from that to which the receiver is connected.
- Consult the dealer or an experienced radio/TV technician for help.

NOTE : Any changes or modifications to this unit not expressly approved by the party responsible for compliance could void the user's authority to operate the equipment.

Complies with IMDA Standards DB123456
---

# FOCUSOUND™ DUO

## WARRANTY REGULATIO

Dear customer!

Thank you for purchasing the products of our company !

In order to protect your legitimate rights and improve the after-sales service of the customer,the warranty regulations are specially formulated, please read carefully and provide valuable comments and suggestions.

一、 Our company's products enjoy free warranty service for 12 months from the date of sale, if the product exceeds 12 months warranty period from the date of sale, our company will charge cost of parts as appropriate.

二、 If the repaired product which should be properly packed is damaged or lost in transit, our company will not be responsible for the loss.

三、 In the period of free warranty, If the following matters occur, our company has the right to refuse the service or collect materials and service fees as appropriate.

- 1.Product failure or damage caused by improper use of the user;
- 2.Worn parts;
- 3.Accident caused by electric shock or improper installation;
- 4.Damage caused by repair of non service personnel.

四、 To get warranty service, you can contact our customer service through our official website, or you can call 4001-581-281, thank you .

Customer name \_\_\_\_\_ Customer phone \_\_\_\_\_

Customer address \_\_\_\_\_

Maintenance record \_\_\_\_\_  
\_\_\_\_\_

# FOCUSOUND™ DUO

Product model: DUO

---

Product date:

---

Inspection date :

---

Inspector:

---

This product has passed the factory inspection!

Audfly Technology

Web: [www.focusound.com](http://www.focusound.com)

E-mail: [info@focusound.com](mailto:info@focusound.com)

Add: Flat 9, 7/F, Fonda Industrial Building, 37-39 Au Pui Wan Street, Fotan, Shatin, NT, HK

**FOCUSOUND<sup>TM</sup>**

MADE IN CHINA

Audfly Technology Co., Limited