

ifi

NEO STREAM

User Manual

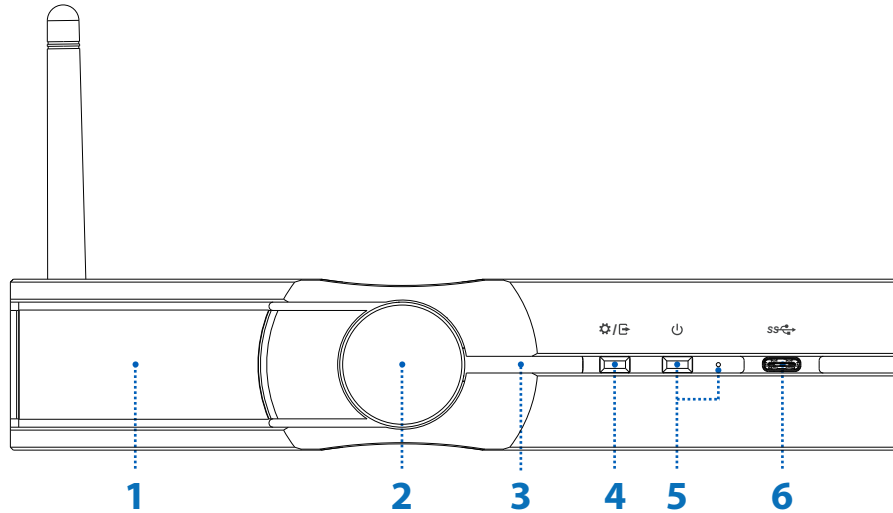


Thank you for purchasing this NEO series Stream. The NEO Stream is a Ultra-Res network audio streamer.

FEATURES:

- Ultra-Res Wi-Fi/LAN network audio streamer with integrated DAC
- Open-source architecture – works with multiple control apps, constantly evolving platform support
- Stream the way you want – Tidal Connect, Spotify Connect, Roon Ready, AirPlay, DLNA/UPnP, NAA and more
- Supports 32-bit/768kHz PCM and DSD512 – not just via USB/LAN cables but Wi-Fi too*
- Full MQA decoding and true-native DSD
- Custom-designed hardware and software – built for exceptional sound
- Fully balanced analogue circuitry delivers maximum sonic purity
- Four user-selectable digital filters – tailor the sound to suit your music
- ‘Exclusive’ streaming modes – dedicated Tidal, Roon, NAA and DLNA modes for optimised performance
- USB and S/PDIF interfaces regulated by femto-precision clock to eradicate jitter
- Active Noise Cancellation and iPurifier technologies remove distortion from the audio signal
- Optical LAN input isolation technology - enhanced sound quality over cabled network connection
- SilentLine retina-grade TFT screen with album cover artwork display
- Ultra-low noise iPower 2 power supply and OptiBox optical LAN transceiver included

** Full-strength 5GHz signal required for 384kHz/DSD256 or above over Wi-Fi*

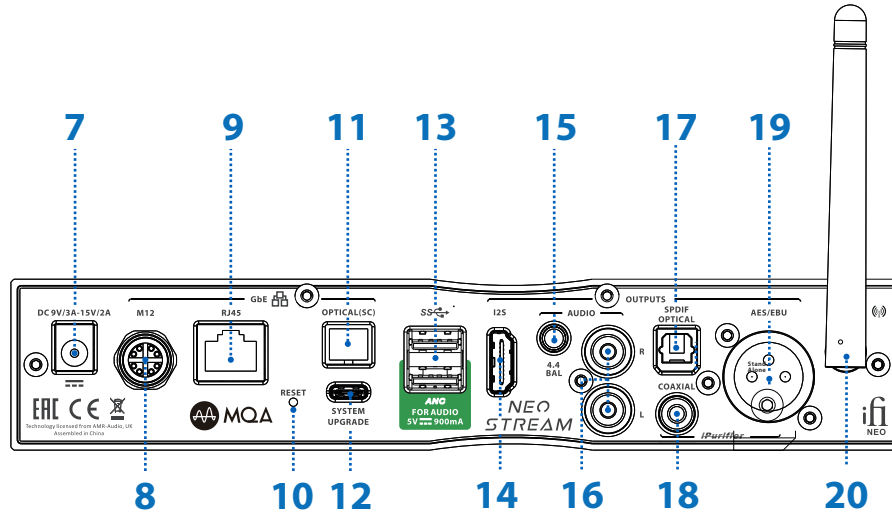


- 1. OLED display
- 2. Multi-function knob
- 3. Network Status LED

P.4
P.4-5
P.6

- 4. Input selector/Settings
- 5. Power switch and indicator
- 6. USB-C input/output

P.6
P.6
P.6



- 7. DC power supply connection
- 8. M12 Ethernet input
- 9. RJ45 Ethernet input
- 10. Factory Reset
- 11. Optical input

- P.7 12. USB-C System upgrade port
- P.7 13. USB Type A x 2 port
- P.7 14. HDMI output
- P.7 15. Balanced 4.4mm analogue output
- P.7 16. Single-Ended RCA output

- P.7 17. S-PDIF Optical output
- P.8 18. S-PDIF Coaxial output
- P.8 19. AES/EBU (XLR) signal outputs
- P.9 20. Wi-Fi antenna
- P.8, P.9, P.10-13 Quick Start Guide



1. OLED display

The OLED display showing current player, sample rate, web address.

Tip: OLED screen is on left side when Stream is lying flat.

2. Multi-function knob

Cycles Controls:

- Screen Brightness (short press)
- SYSTEM STATUS
- Advanced setting
- Audio output port selection
- System (Mode) selector
- Hotspot selection

short press once to enter the selection, turn the knob to switch options, short press again to confirm the selection.

I) Screen Brightness

Cycles between:

Low brightness > Low brightness > High brightness (short press)

Tip: Operating from the default home screen.

II) SYSTEM STATUS

Showing Ethernet IP, Host URL, WiFi iP, Hotspot IP, System Version.

III) Advanced setting ' ㅁ ㅁ '

Simple Display Ethernet IP and Hotspot URL

Advanced Display Ethernet IP, Hotspot URL, WiFi iP, Hotspot IP, System Version.

IV) Audio output port selection ' ⚙️ / 📶 '

Choose between Analog or Digital and USB DAC audio output.

V) System (Mode) selector ' ⚙️ '

The following 5 play modes can be selected:

- All In One. Use for set up
- DLNA only
- TIDAL Connect only
- ROON only
- NAA (Network Audio Adapter) only

VI) Hotspot selection ' 📶 '

Turns the Hotspot on / off. It is off by default.



3. Network Status LED

	LED	Speed
Internet	White	Fast
Internet	Cyan	Slow
Local network	Green	Fast
No Internet	Yellow	Slow
No connection	Red	-

4. Input selector/Settings

Choose between Analog or Digital and USB DAC audio output.

5. Power switch and indicator

Short press $\geq 1s$ to switch on, long press $\geq 2s$ to switch off.

6. USB-C input/output

- a) Output - Connect to DAC
- b) Input - Connect to HDD, USB DISK etc

7. DC power supply connection

DC 9V/3A-15V/2A DC power input. Please connect ZEN Stream to the enclosed power supply.

8. M12 Ethernet input

Connect a network cable with M12 connector.

9. RJ45 Ethernet input

Connect a network cable with RJ45 connector. Optical network input

10. Factory Reset

Long press ≥ 3 seconds, wait 3 minutes and the screen will appear with the ifi interface.

DO NOT POWER OFF!

Warning: Loss of power during this period may damage your device and leave it unusable.

11. Optical input

Connect a network cable with Optical connector.

12. USB-C System upgrade port

Used for system firmware upgrade.



13. USB Type A x 2

Compatible with USB 2.0 and USB 3.0.

- a) Output - Connect to DAC
- b) Input - Connect to HDD, USB DISK etc

These two USB ports have ANC technology built-in.

14. HDMI output

HDMI signal output connect to DAC

15. Balanced 4.4mm output

Connection of 4.4mm to XLR or similarly balanced interconnects.

16. Single-Ended RCA output

Connect analogue RCA interconnects to an amplifier.

17. S-PDIF Optical output*

This is a S-PDIF Optical signal output.

18. S-PDIF Coaxial output *

This is a S-PDIF Coaxial output signal output.

**Tip: The S-PDIF standard supports PCM only up to 192kHz.*

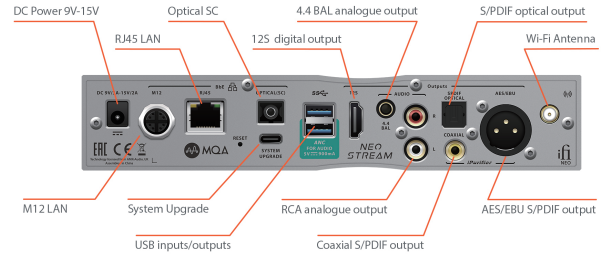
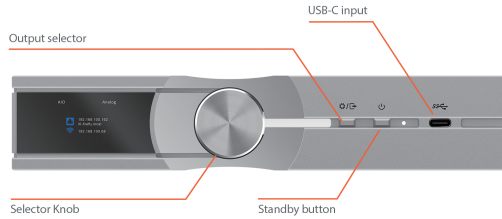
19. AES/EBU (XLR) signal output

AES/EBU (XLR) Balanced signal output to an amplifier.

20. Wi-Fi antenna

Please attach the enclosed antenna for maximum reception quality.

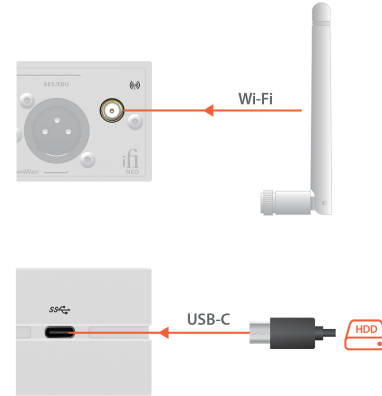
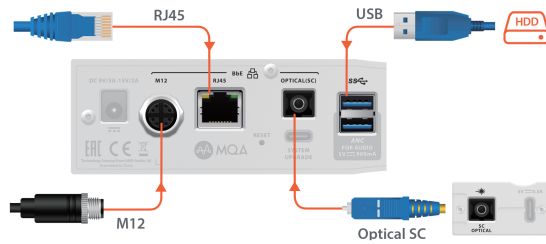
Quick Start Guide



1 Power



2 Input



3 Output

 Amplifiers/CAN's

 DAC's

 Active Speakers

