

Functional Diagram of Remote Controller

Turret Upward

Forward/Backward

Drift Left Laterally

Demo Button

Turret Leftward

Turret Downward

Turret Rightward

Indicator

Spray Lighting Music
(Long press to turn on and off, short press to switch songs)

Drift Right Laterally

Bubble Launch
(sound and vibration)

Soft /Water Bullet Launch
(sound and vibration)

Engine/Brake Sound

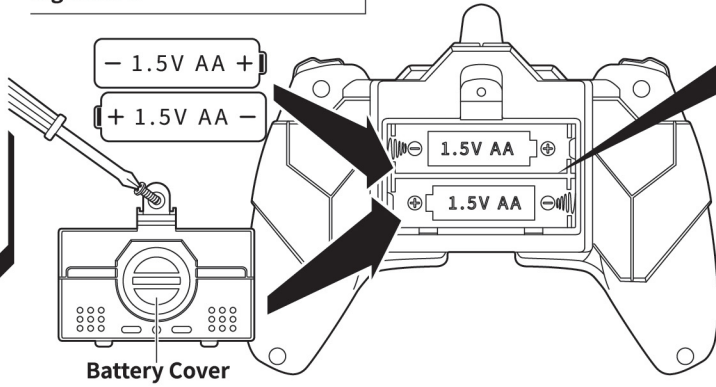
High/Low Speed Conversion

Infrared Ray

Left/Right

Power/Pairing Frequency Switch

When pairing successfully, the chariot makes a sound and the remote controller vibrates. When the signal between chariot and controller fail to connect, the lights will flash.



Battery Cover

Battery Installation

Loosen the battery cover screws with a screwdriver. Remove the battery cover and insert batteries with correct polarity. Tighten the battery cover with a screwdriver.

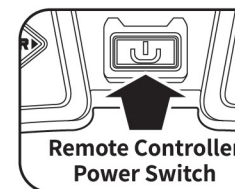
Notes on Battery

- 1.The remote controller uses two 1.5V non-rechargeable batteries;
- 2.The main body of the multifunctional chariot uses a set of 7.4V rechargeable lithium batteries;
- 3.Non-rechargeable batteries are not allowed to charge;
- 4.Rechargeable batteries should only be charged under adult supervision, shouldnot be charged by children themselves. Rechargeable batteries should be removedfrom the toy before charging;
- 5.Do not mix use old and new batteries or different types of batteries;
- 6.Please pay attention to the polarity when installing or replacing the battery;
- 7.Please remove the low battery in time;
- 8.The power supply terminal can not be short-circuited;
- 9.Please correctly install and remove the battery according to the instructions;
- 10.Connect the supplied USB charging cable to a power supply with an output voltage of 5.0 V 500mA (such as a USB mobile phone charger or a USB interface of a computer) for charging;
- 11.During the charging process, the USB charging cable will have a slight temperature, which is a normal phenomenon;
- 12.This product can only be charged with the supplied USB charging cable and the recommended power supply. The USB charging cable and the recommended power supply are not toys;
- 13.The wires, plugs, housings and other parts of the USB charging cable and the recommended charger must be checked regularly for damage. If any damage is found, stop using it until it is repaired;
- 14.Disconnect the USB charging cable before cleaning the toy;
- 15.Please do not disassemble or throw bad batteries or battery packs into fire or water to avoid accidents;
- 16.Toys can not be connected with the power more than quantity as recommended;
- 17.This product is not for children under aged 3.

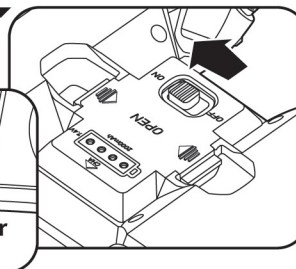


3

Pair Frequency



Remote Controller Power Switch



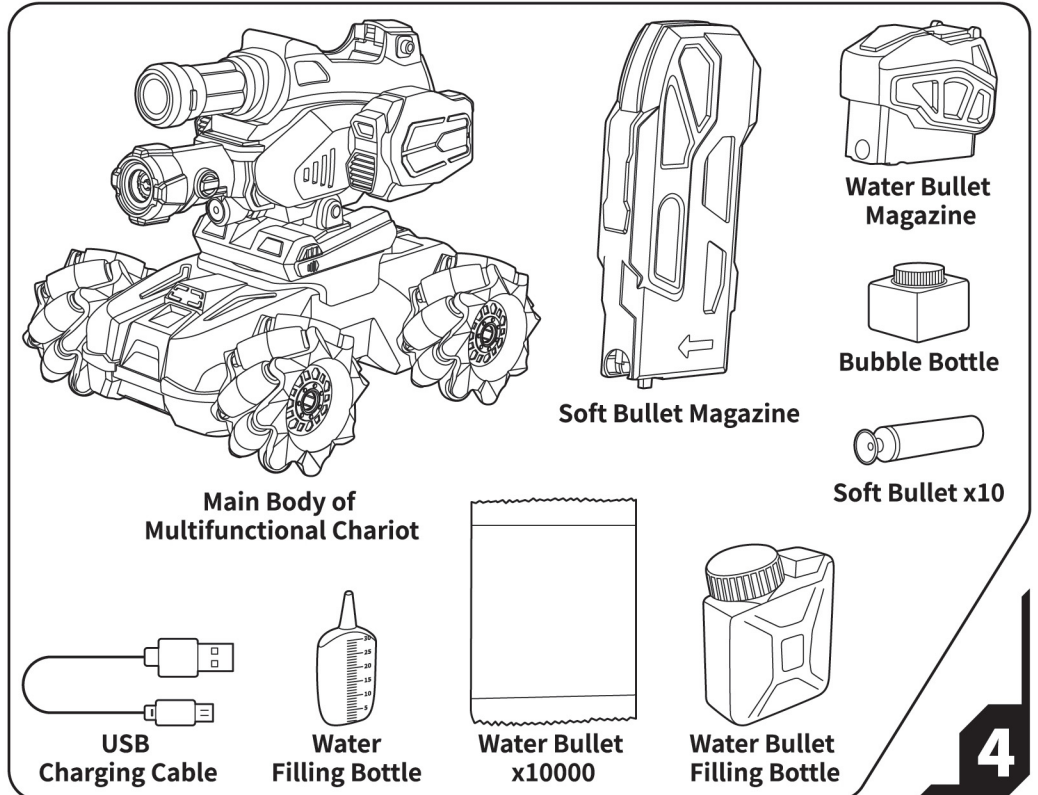
Remote Controller Frequency Pairing

Turn the power switch of the multifunctional chariot to the "on" position. The lamps flash and enter the frequency matching mode. At the same time, press the power switch button of the remote controller then the chariot makes a sound and the remote controller vibrates, indicating that the frequency matching is successful. (When the signal between chariot and controller fail to connect, the lights will flash. Check whether the power of the chariot and the remote controller is sufficient.)

Note: The multifunctional chariot will automatically sleep if no signal is received after 5 minutes.

Warning

- This product must be used under adult supervision.
- This product contains small parts, please do not swallow to avoid suffocation hazard. It is not for children under aged 3.
- This product can shoot soft bullets and water bullets. Do not aim at people when shooting.
- This product is a children's toy, controlling by 2.4GHz wireless remote.
- This product has pairing function. When pairing, please put the multifunctional chariot and the remote controller as close as possible; After successful pairing, you can only control one-to-one.
- The remote control distance of this product is about 30 meters in a smooth environment.
- Do not operate near the concrete wall, otherwise it may interfere with signal transmission.



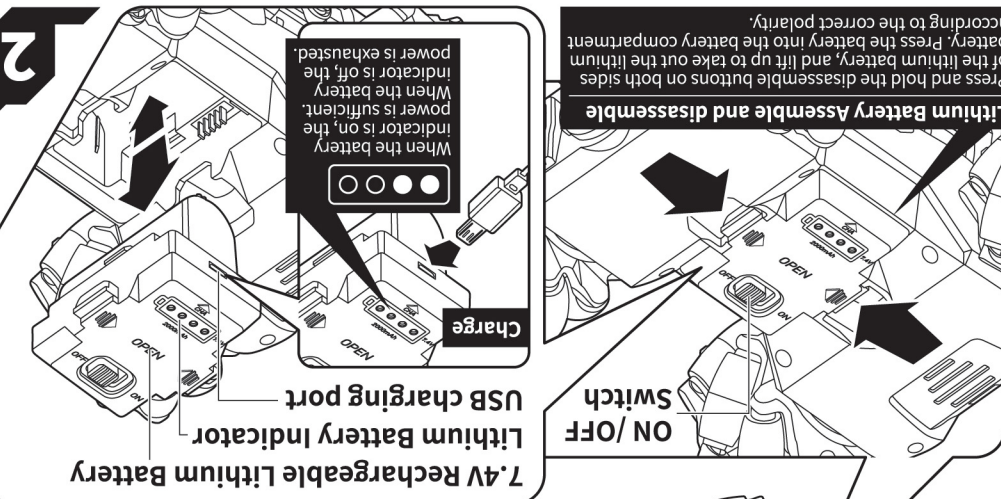
USB Charging Cable

Water Filling Bottle

Water Bullet x10000

Water Bullet Filling Bottle

4



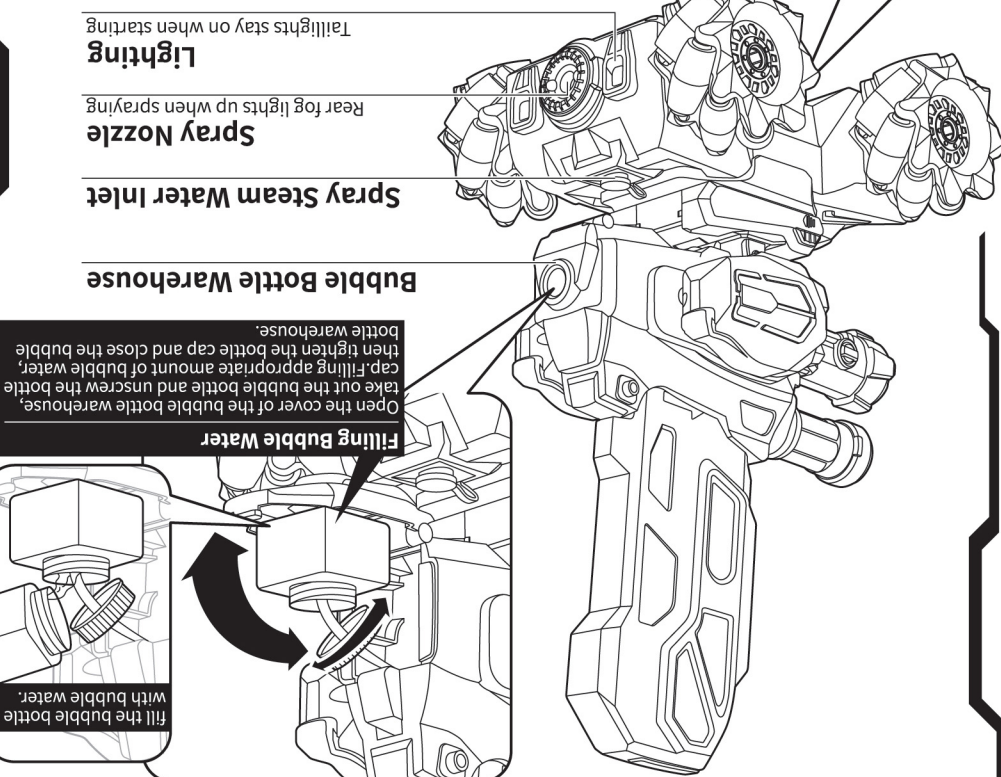
7.4V Rechargeable Lithium Battery

Lighting

Spray Nozzle

Spray Steam Water Inlet

Bubble Bottle Warehouse



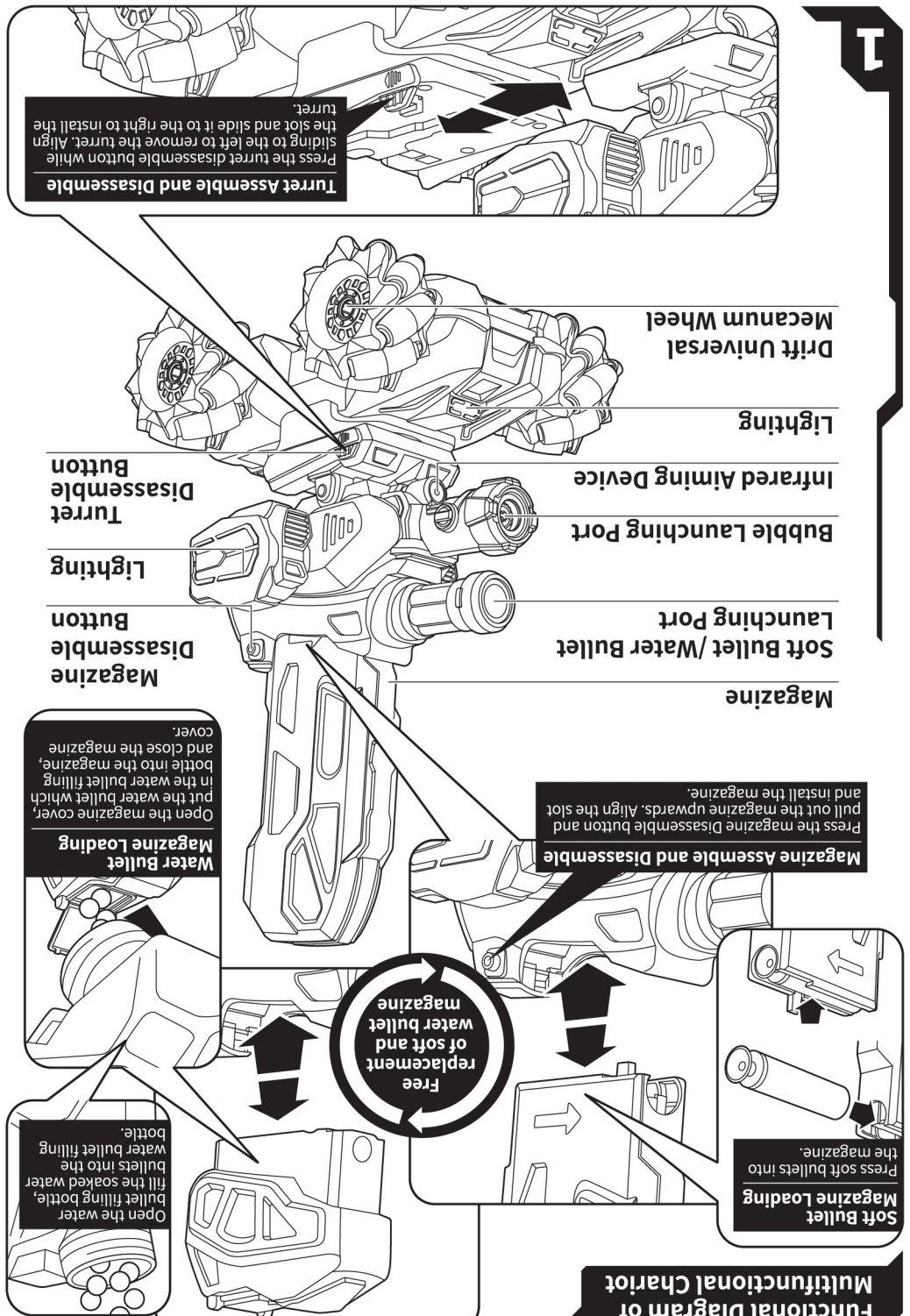
Soaking Instruction

Water quality in different region is various, if soaking in tap water can not make bullets bigger, then pour out the tap water and use purified water or warm water for soaking instead.

1. Use a large container, pour in water and water bullets for soaking.

2. There must be enough water (eg: 200 water bullets with 400ml water), otherwise the water bullets won't soak big enough for shooting.

3. Use warm water to soak in the lower temperature region. Soak for 4 hours at normal temperature. (Using warm water can shorten the soaking time.)



Turret Assemble and Disassemble

Turret Disassemble Button

Lighting

Magazine Disassemble Button

Magazine

Soft Bullet /Water Bullet Magazine

Bubble Launching Port

Infrared Aiming Device

Lighting

Drift Universal Mecanum Wheel

Free replacement of soft and water bullet magazine

Water Bullet Magazine Loading

Soft Bullet Magazine Loading

Multifunctional Chariot

1

4

This device complies with Part 15 of the FCC Rules. Operation is subject to the following two conditions: (1) this device may not cause harmful interference, and (2) this device must accept any interference received, including interference that may cause undesired operation.

changes or modifications not expressly approved by the party responsible for compliance could void the user's authority to operate the equipment.

This equipment has been tested and found to comply with the limits for a Class B digital device, pursuant to Part 15 of the FCC Rules. These limits are designed to provide reasonable protection against harmful interference in a residential installation. This equipment generates, uses and can radiate radio frequency energy and, if not installed and used in accordance with the instructions, may cause harmful interference to radio communications. However, there is no guarantee that interference will not occur in a particular installation. If this equipment does cause harmful interference to radio or television reception, which can be determined by turning the equipment off and on, the user is encouraged to try to correct the interference by one or more of the following measures:

- Reorient or relocate the receiving antenna.
- Increase the separation between the equipment and receiver.
- Connect the equipment into an outlet on a circuit different from that to which the receiver is connected.
- Consult the dealer or an experienced radio/TV technician for help.