

# 承认书

## SPECIFICATION FOR APPROVAL

客户名称 : \_\_\_\_\_  
CUSTOMER`S NAME

客户料号 : **31701-0044-00**  
CUSTOMER`S P/N

产品规格 : **Y. WAC. 048**  
PRODUCT SPEC

制作日期 : \_\_\_\_\_  
ISSUE DATE

拟制 PREPARED BY	审核 CHECKED BY	批准 APPROVED BY	客户承认 CUSTOMER APPROVE
李蓓	程杰	李博文	



东莞市博红科技有限公司

DONGGUAN BOHONG TECHNOLOGY CO., LTD

ADD: 4F, 533 Fumin Middle Road, Dalang Town, Dongguan City

TEL: 0769-82866410

FAX: 0769-82866409





# 东莞市博红科技有限公司

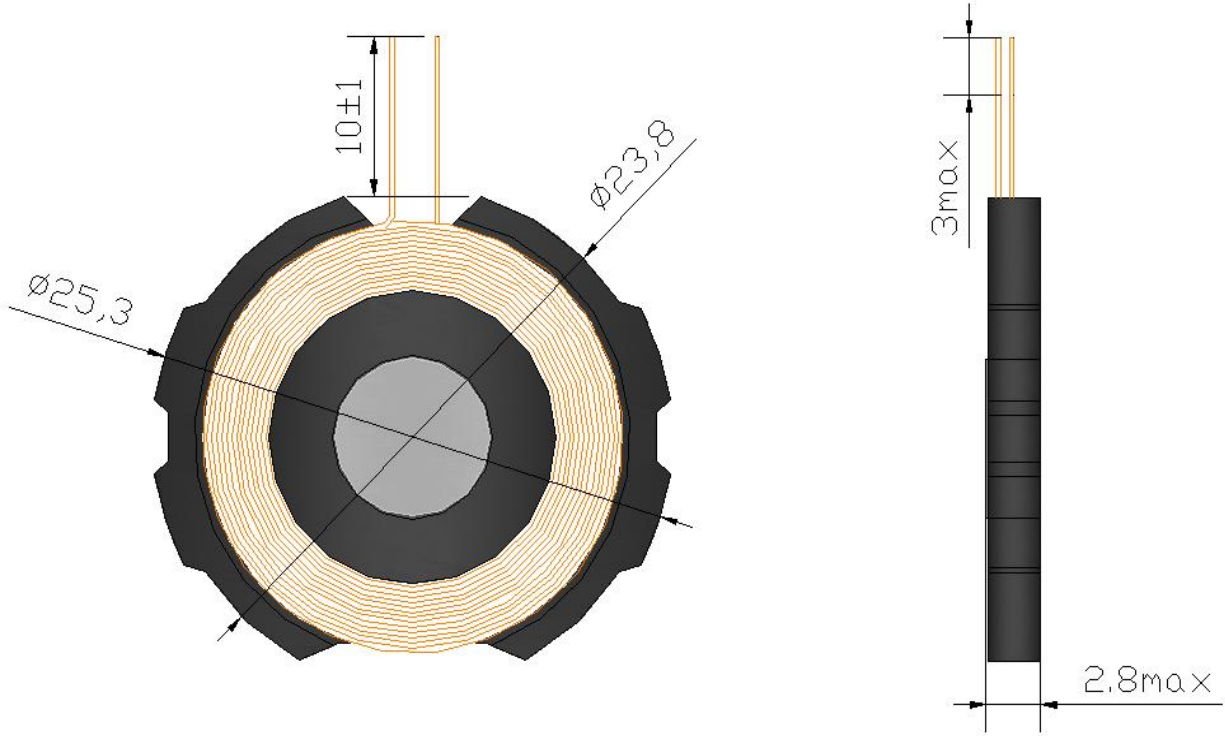
DONGGUAN BOHONG TECHNOLOGY CO., LTD

SPECIFICATION FOR APPROVAL



CUSTOMER		CUSTOMER'S P/N	3701-0044-00
ISSUE DATE	2023.5.24	PRODUCT SPEC	Y.WAC.048

## 2.DIMENSION:



$\phi 19 \times T0.13$  Crown 513# double-sided tape  
 on back;  
 Magnet 7.5\*2mm Gauss 3200 $\pm$ 100;

ISSUE BY	李蓓	CHECK BY	程杰	APPROVAL BY	李博文
----------	----	----------	----	-------------	-----