

Instruction Manual

Under desk charging station



Wireless Charging + USB A + Type-C

No Power Outlet Required. Designed With Flexibility in Mind.

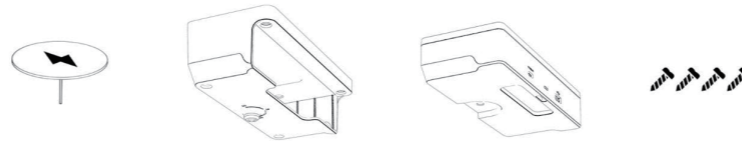


1. Product Introduction

This is an innovative high-speed mobile charging station. The package includes an optional wireless charging pad, the battery station locking frame and the 20,000 mAh battery with locking key.

The under-surface charging station combines slimness and robustness and can be easily and quickly installed underneath table tops using the screws supplied. It can charge mobile phones that support the Qi standard. It is suitable for non-metallic desktops such as marble, wood, and glass.

2. Installation Kit



- 1. Wireless Charging Pad (optional)
- 2. Battery Dock
- 3. Battery Pack (1xUSB-A port + 1xType-C port + wireless charger)
- 4. Installation Screws x4

TOOLS REQUIRED

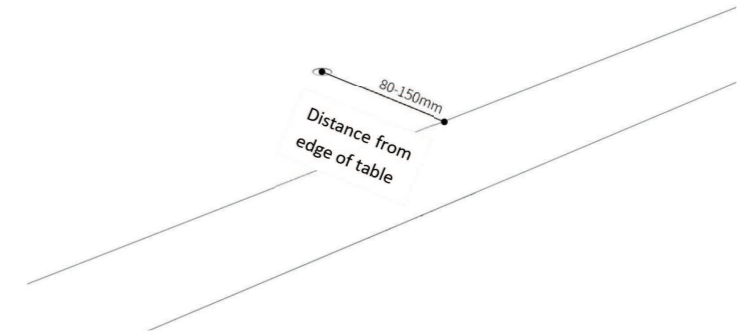


3. Installation Steps

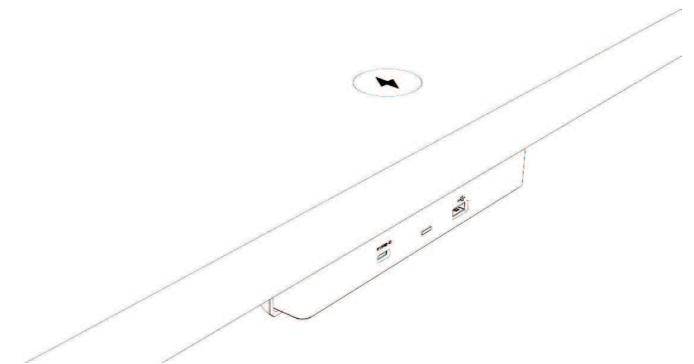
I Wireless Charging Pad Installation

Before starting the installation please check that you have the minimum surface required to install the system. No more than 10cm.

- A. Place a mark at 80-150mm (recommended) from the edge of the table.
- B. Drill a hole (4-5mm).
This hole should penetrate the desktop, allowing the wires of the antenna to pass through the table to connect to the battery pack.

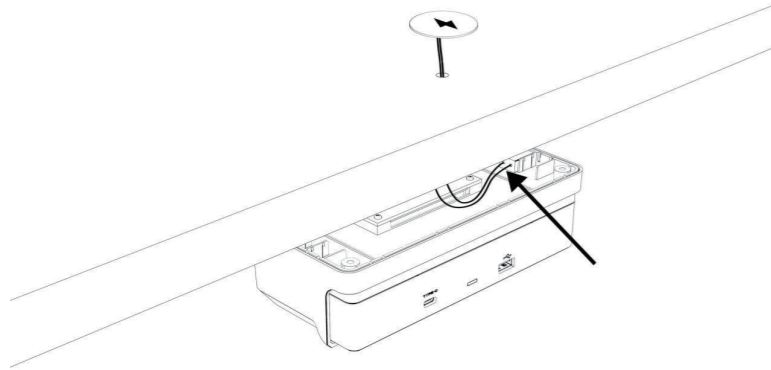


- C. Positioning the charging pad in the desired location, feeding wires through hole and then sticking in place using the adhesive.

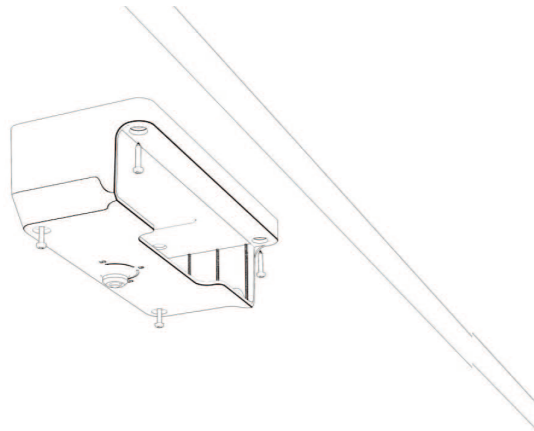


II Bracket Installation

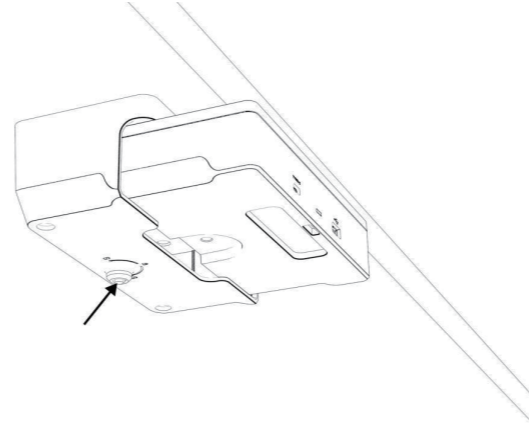
A. Connect the wires to the terminal block on the battery station frame.



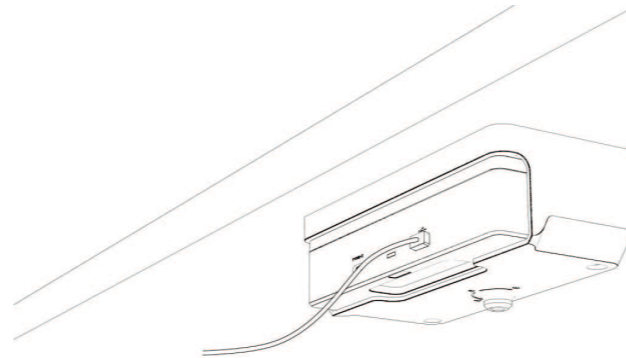
B. Fix the table dock using 4 screws provided.



C. Please confirm everything is well connected. Insert the battery into the bracket. Press the locking button upwards to lock the battery pack.



D. Place your Qi compatible smartphone on the wireless charging pad and/or connect your smartphone or laptop with a cable to USB or Type-C port on the battery. Please note that some very thick phone cases (or metal phone cases) may affect charging.



When the battery needs to be recharged, use the provided key to rotate and unlock. Please use Type-C on the battery pack for battery recharging.

4. Specifications

Battery capacity: 20,000mAh

Input: 5V/3A

Output: USB: 5V/3A, 9V/2A, 12V/1.5A (18W max)

Type C: 5V/3A, 9V/3A, 12V/3A, 15V/3A, 20V/3A (60W max)

Wireless: 5V/2A, 9V/1.67A (15W max)

Product size: 198*88*55mm

5. Power Display

Phone Charging Display

No.	Power	LED Display
1	≥20%~100%	Green Light On
2	≥10%~<19%	Yellow Light On
3	>0%~<9%	Red Light On

Battery Recharging Display

No.	Power	LED Display
1	≥66%~100%	Green Light Flash
2	≥36%~<66%	Yellow Light Flash
3	>0%~<33%	Red Light Flash

6. Warranty

The following conditions are not covered by the warranty:

1. Accessories are not covered by the warranty.
2. Failures due to improper operation or installation by the user are not covered.
3. Failures caused by disasters, man-made damage, self-disassembly, unpacking, and repairs by non-authorized maintenance centers of our company are not covered.

7. FCC Warning

This device complies with part 15 of the FCC Rules. Operation is subject to the following two conditions:(1) This device may not cause harmful interference, and (2) this device must accept any interference received, including interference that may cause undesired operation.

Any Changes or modifications not expressly approved by the party responsible for compliance could void the user's authority to operate the equipment.

This equipment has been tested and found to comply with the limits for a Class B digital device, pursuant to part 15 of the FCC Rules.

These limits are designed to provide reasonable protection against harmful interference in a residential installation. This equipment generates uses and can radiate radio frequency energy and, if not installed and used in accordance with the instructions, may cause harmful interference to radio communications. However, there is no guarantee that interference will not occur in a particular installation.

If this equipment does cause harmful interference to radio or television reception, which can be determined by turning the equipment off and on, the user is encouraged to try to correct the interference by one or more of the following measures:

- Reorient or relocate the receiving antenna.
- Increase the separation between the equipment and receiver.
- Connect the equipment into an outlet on a circuit different from that to which the receiver is connected.
- Consult the dealer or an experienced radio/TV technician for help.

FCC RF exposure statement:

The equipment complies with FCC radiation exposure limits set forth for an uncontrolled environment. This equipment should be installed and operated with minimum distance between 20cm the radiator your body.

