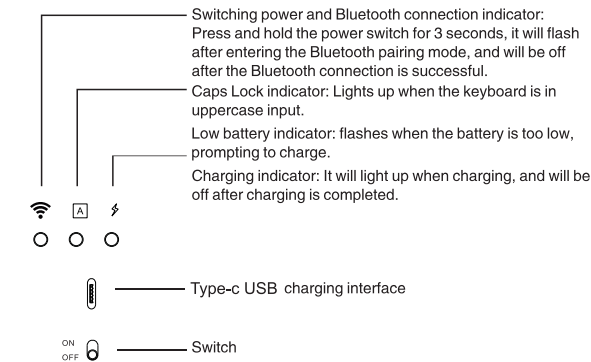


Wireless keyboard user manual

Product model specification

- | | |
|---|---|
| 1. Bluetooth Interface Standard | 9. Standby Time: >100 days |
| 2. Operating Distance Available: 10 meters | 10. Charging Time: 2-3 hours |
| 3. Modulation System: GFSK | 11. Lithium Battery Capacity: 220mA/480mA (Backlight) |
| 4. Operating Voltage: 3.0-4.2V | 12. Sustainable Working Time: more than 100/30 hours |
| 5. Working Current: <8mA (When the touchpad is working) | 13. Lithium Battery Life: 1 years |
| 6. Standby Current: <0.3mA | 14. Key Strength: 80 ± 10g |
| 7. Sleeping Current: <40 μ A | 15. Key Life: 5 Million Stroke |
| 8. Charging Current: 100mA/200mA (Backlight) | 16. Operating Temperature: -10°C ± 55°C |

Getting Started Guide



Package included: Instruction manual*1 Wireless keyboard*1 USB charging cable*1

Bluetooth keyboard connection steps

- After the power switch is turned to the ON position, the power indicator light is on for 3 seconds, the Bluetooth indicator starts to flash, and the keyboard automatically enters the pairing mode.
- Open and unlock your tablet and click on the "Settings" icon.



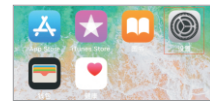
- In the settings menu, click on the "Bluetooth" menu.



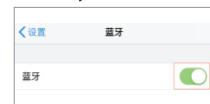
- Discover the Bluetooth keyboard device: Bluetooth Keyboard ***, and click on it, the Bluetooth keyboard will automatically connect.



- Open and unlock your tablet and click on the "Settings" icon.



- Turn on the Bluetooth switch and the tablet will automatically search for Bluetooth keyboard devices.



- After the Bluetooth connection is successful, the pairing indicator is off, and "Connected" will appear in the list of Bluetooth devices.



Keyboard shortcut function description

Back to Home page	Brightness -	Brightness +
search	Screen keyboard	Screen capture
Previous track	Pause/Play	Next track
Mute Key	Volume-	Volume+
Select all	Copy	Paste
Touchpad on/off	Language switching	Lock screen +FN
E-MAIL	Bluetooth pairing	Backlight brightness adjustment
Go back to last page	Cut	Function key

After switch system push above multimedia function show :

Notice 1 : This keyboard is 3-system universal keyboard , after confirming using it then push FN+Q/W/E to choose suitable system .

Notice 2 : Only backlight kind keyboard has this button .

Color adjust : total 7 kind colors circulating

Backlight model : Single push backlight key actualize three kinds models .

1.1 Single color backlight (RGB) 2. Breathing light 3. Backlight turn off .

RGB backlight switch : Under single color model situation , push FN+backlight key to switch .

3. Backlight lightness : Under single color model situation , push backlight key + direction upward arrow key , backlight lightness increase ; Push backlight + direction downward arrow key , backlight lightness reduce .

IOS13 system touchpad gestures

Sliding finger	Moving the cursor	Single finger tap	Left mouse button
Single finger fast double click without loose drag	Left click to select the target drag	Two-finger tapping	Right mouse button
Two-finger vertical/horizontal scrolling	Vertical/horizontal scrolling	Three-finger tap	Middle mouse button
Three fingers move up at the same time	Recent task window switch	Three fingers move down at the same time	Back to Home page
Three fingers sliding left/right at the same time	Active window left/right slide switch		

IOS 13 mouse function is enabled: "Settings" - "Accessibility" - "Touch" - "Auxiliary Touch" - "Open"

Attention

- When not use for long time, suggest to close keyboard, in order to prolong battery lift.
- In order to get longer battery lift ,charging before keyboard power light flashes, charging time must be better more than 2hours.

Energy saving sleep mode

When keyboard not use will be enter sleep mode after 15minutes,keyboard indicator will off , press any key 5s to wake it up when need use again ,then keyboard indicator will turn on .

Troubleshooting

- Make sure the power is turned on
- Ensure keyboard operable distance
- Make sure the battery has power
- Ensure the device' s Bluetooth was turned on
- Ensure the wireless keyboard was connected with the Bluetooth
- Ensure the wireless keyboard paired successfully

Cleaning

Washing, alcohol or a similar cleaning agent decontamination keyboard.

Charging

- When battery is low, the power indicator blinking, means need to charge the keyboard
- Connect Genuine Parts USB Type C cable B port to keyboard cradle
 - Connect USB Type C cable A port to power adapter or computer USB port .
 - When charging , charge indicator lights will blinking, after full lights automatically turn off

FCC Caution:
Any changes or modifications not expressly approved by the party responsible for compliance could void the user's authority to operate this device.

This device complies with Part 15 of the FCC Rules. Operation is subject to the following two conditions:
(1) This device may not cause harmful interference, and
(2) this device must accept any interference received, including interference that may cause undesired operation.

Note: This device has been tested and found to comply with the limits for a Class B digital device, according to part 15 of the FCC Rules. These limits are designed to provide reasonable protection against harmful interference in a residential installation. This device generates, uses, and can radiate radio frequency energy and, if not installed and used following the instructions, may cause harmful interference to radio communications. However, there is no guarantee that interference will not occur in a particular installation.

If this device does cause harmful interference to radio or television reception, which can be determined by turning the device off and on, the user is encouraged to try to correct the interference by one or more of the following measures:

- Reorient or relocate the receiving antenna.
- Increase the separation between the device and receiver.
- Connect the device to an outlet on a circuit different from that to which the receiver is connected.
- Consult the dealer or an experienced radio/TV technician for help.

Radiation Exposure Statement
This device complies with FCC radiation exposure limits set forth for an uncontrolled environment.