



KICKER[®]

PXIBT

STEREO INTEGRATED
AMPLIFIER

PXIBT100.2
AMPLIFIED CONTROLLER FOR
BLUETOOTH[®] DEVICES

Owner's Manual | English

Manual del Propietario | Español
AMPLIFICADOR DEL PXIBT

Benutzerhandbuch | Deutsch
VERSTÄRKER DER PXIBT

Manuel d'utilisation | Française
AMPLIFICATEUR DE PXIBT

Authorized KICKER Dealer: _____

Purchase Date: _____

Serial Number: _____

IMPORTANT SAFETY WARNING – PROLONGED CONTINUOUS OPERATION OF AN AMPLIFIER IN A DISTORTED OR CLIPPED MANNER CAN CAUSE YOUR AUDIO SYSTEM TO OVERHEAT, POSSIBLY CATCHING FIRE AND RESULTING IN SERIOUS DAMAGE TO YOUR COMPONENTS AND/OR VEHICLE. KICKER PRODUCTS ARE CAPABLE OF PRODUCING SOUND LEVELS THAT CAN PERMANENTLY DAMAGE YOUR HEARING! TURNING UP A SYSTEM TO A LEVEL THAT HAS AUDIBLE DISTORTION IS MORE DAMAGING TO YOUR EARS THAN LISTENING TO AN UNDISTORTED SYSTEM AT THE SAME VOLUME LEVEL. THE THRESHOLD OF PAIN IS ALWAYS AN INDICATOR THAT THE SOUND LEVEL IS TOO LOUD AND MAY PERMANENTLY DAMAGE YOUR HEARING. PLEASE USE COMMON SENSE WHEN CONTROLLING VOLUME.

PERFORMANCE

Model:

PXIBT100.2

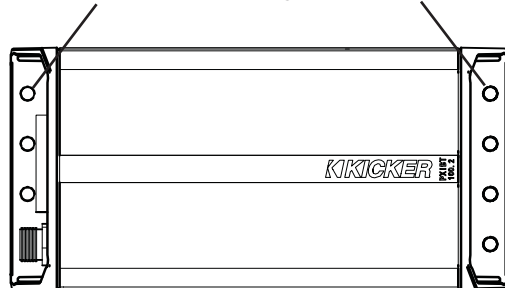
RMS output @ 4-ohms	25 Watts x 2
RMS output @ 2-ohms	50 Watts x 2
Selectable 12dB high-pass crossover	OFF, 60Hz, 80Hz, 120Hz
Frequency response	20Hz – 20kHz (+/- 1dB)
RCA pre-out voltage	4.5V RMS
S/N ratio	90dB
Aux input sensitivity	500mV
USB audio input / charging	5V/1A
Length [in, cm]	7, 17.8
Height [in, cm]	1-5/8, 4
Width [in, cm]	3-7/16, 8.7

Pro Tip: To get the best performance from your new KICKER Amplifier and extend the warranty by 1 year, use genuine KICKER accessories and wiring.

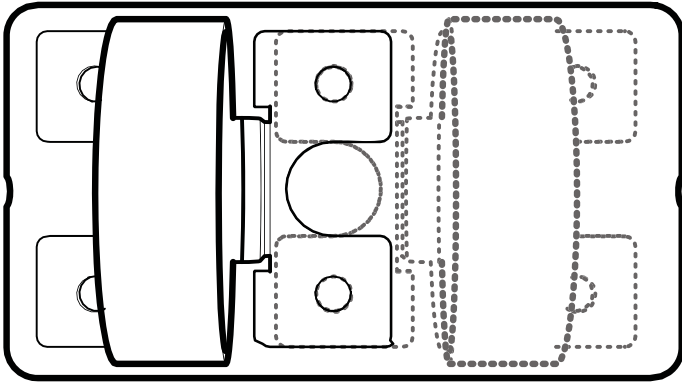
INSTALLATION

Mounting: Choose a structurally sound location to mount your KICKER PXIBT100.2. Make sure there are no items behind the area where the screws will be driven. Choose a location that allows at least 4" (10cm) of open ventilation for the amplifier. Drill four holes using a 7/64" (3mm) bit and use the supplied #8 screws to mount the amplifier. Mount the unit behind the fairing, underneath the seat, or in another secure location isolated from weather.

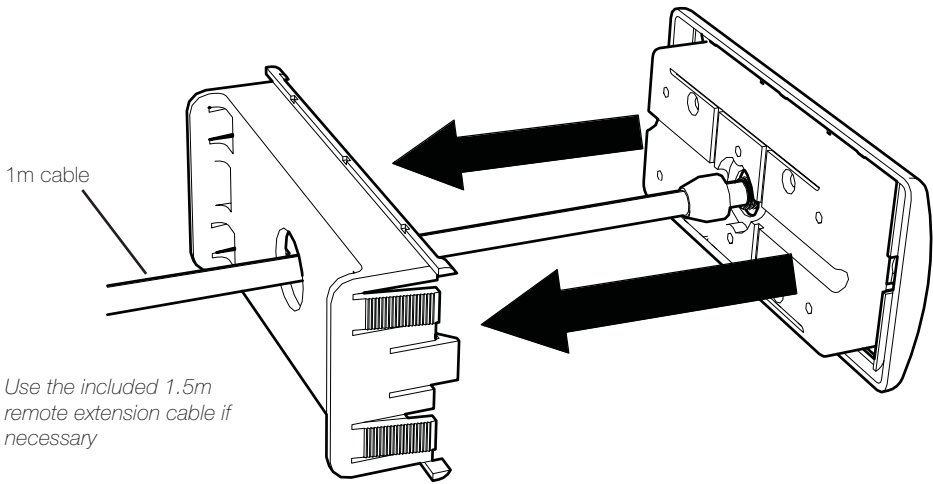
Mount the PXIBT100.2 using the included screws.



The remote bar mounting clamp may be installed to either the left or right side on the back of the remote.



Use the included remote mounting plate to perform a custom, flush installation of the remote. Be careful not to drill into wiring or vehicle mechanisms. You are solely responsible for safely and securely mounting the unit and remote. Use the cut-out template below to assist in the installation.



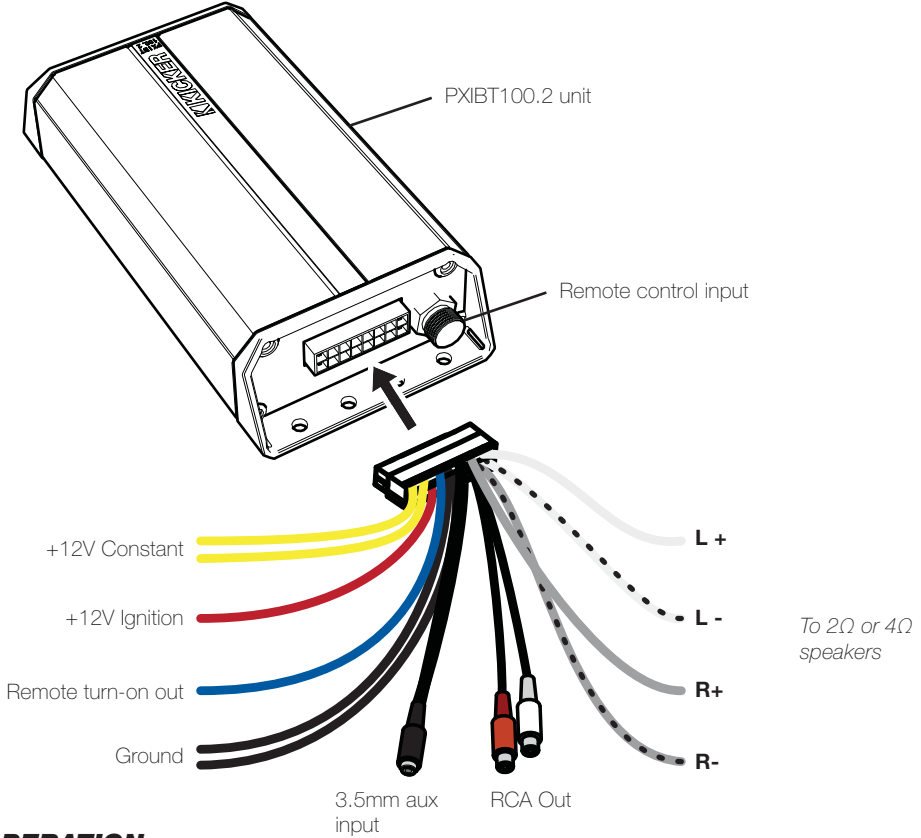
Width: 86mm

**Height:
41mm**

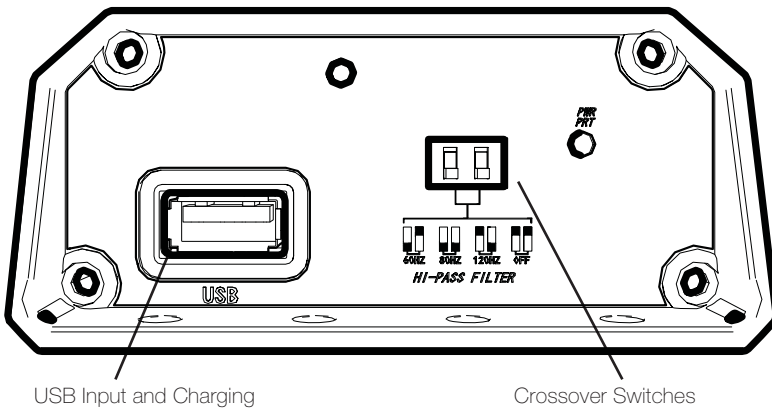
Depth: 18mm

Wiring: Disconnect the vehicle's battery to avoid an electrical short. Connect the PXIBT harness to the amplifier. A good ground connection is important. If this PXIBT100.2 is mounted in the front fairing of a motorcycle, it will be best to extend the ground wire all the way to the battery.

Install a 15A fuse at the yellow +12V constant wire. Fuse installation should be within 18" (45cm) of the battery and in-line with the harness' power cable, which is connected to your PXIBT100.2 unit. If you ever need to remove the amplifier from the vehicle after it has been installed, the ground wire should be the last wire disconnected from the amplifier--just the opposite as when you installed it.



OPERATION



Crossover Switches: Use the HI-PASS switches behind the protective rubber covering of the unit to set the internal crossover. Choose a cutoff of 60Hz, 80Hz, 120Hz, or OFF depending on the configuration of switches 1 and 2. Never change the switches with the audio system on!

Playing Music: The PXIBT100.2 is designed to receive audio via Bluetooth transfer protocol, 3.5mm auxiliary input, and USB input. The USB input supports MP3 and WMA file formats.

The unit will power up in Bluetooth pairing mode when used for the first time. To re-enter pairing mode at any time, press and hold the **PLAY-PAUSE** button until the Bluetooth LED flashes blue rapidly. To pair with an audio device, enter pairing mode on the unit, then enter 'discovery mode' on your audio device. Select 'KICKER PXIBT' on your audio device. The Bluetooth icon will be solid blue when connected and ready to play. If the Bluetooth icon flashes blue slowly, the unit is paired with a device, but not connected. Check your audio device if this occurs.

Use short presses on the **POWER** button to cycle between Bluetooth, AUX, and USB input modes. The unit will remember the last input mode used when powered ON/OFF. You may press and hold the POWER button to turn the unit ON/OFF, however it is recommended that you install a switch in-line with the RED (+12V Ignition) power wire to mimic an accessory key switch. This will turn the unit ON/OFF with the vehicle.

Changing Brightness: Press and hold the **Track ↑** button for 5 seconds. After the remote blinks three times, the volume buttons will now control the remote LED brightness, from off (0) to full intensity (10). After the desired brightness is set and no key presses are detected for 5 seconds, the remote will blink three times and exit brightness mode. The volume buttons will now go back to controlling the volume level.

Input Status LEDs:

B/T - Slow Flash - Paired; no connection

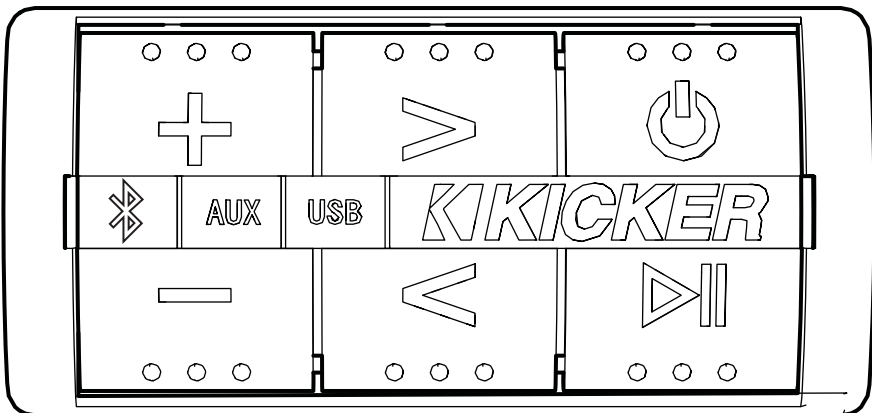
B/T - Rapid Flash - Pairing mode

B/T - Solid - Bluetooth Connected

Volume ↑
Brightness up

Track ↑
Brightness Mode

POWER OFF/ON - Use if there is no switched ignition source in your vehicle.
SELECT SOURCE - Bluetooth/AUX/USB



Volume ↓
Brightness down

Track ↓

Short Press - PLAY-PAUSE
Press & Hold - PAIRING MODE

NOTE: Bluetooth open environment range up to 30ft.

TROUBLESHOOTING

If your PXIBT100.2 does not appear to be working, check the obvious things first such as blown fuses, poor or incorrect wiring connections, incorrect setting of crossover switch and gain controls, etc. There is a Power Protection LED on the side power panel of your unit. Depending on the state of the unit and the vehicle's charging system, the LED will glow either Red or Blue. When the blue LED is lit this indicates the unit is turned on and no trouble exists.

Blue LED off, no output? With a Volt Ohm Meter (VOM) check the following: ❶ +12 volt power terminal (should read +12V to +16V) ❷ Remote turn-on terminal (should read +12V to +16V) ❸ Check for reversed power and ground connections ❹ Ground terminal, for proper conductivity.

Blue LED on, no output? Check the following: ❶ RCA connections ❷ Test speaker outputs with a "known" good speaker. ❸ Substitute source unit with a "known" good source unit. ❹ Check for a signal in the RCA cable feeding the amplifier with the VOM meter set to measure "AC" voltage.

Protection LED flashing with loud music? The red LED indicates low battery voltage. Check all the connections in your vehicle's charging system. It may be necessary to replace or charge your vehicle's battery or replace your vehicle's alternator.

Protection LED on, no output? ❶ Amplifier is very hot = thermal protection is engaged. Test for proper impedance at the speaker terminals with a VOM meter (see the diagrams in this manual for minimum recommended impedance and multiple speaker wiring suggestions). Also check for adequate airflow around the amplifier. ❷ Amplifier shuts down only while vehicle is running = voltage protection circuitry is engaged. Voltage to the amplifier is not within the 10–16 volt operating range. Have the vehicle's charging and electrical system inspected. ❸ Amplifier will only play at low volume levels = short circuit protection is engaged. Check for speaker wires shorted to each other or to the vehicle chassis. Check for damaged speakers or speaker(s) operating below the minimum recommended impedance.

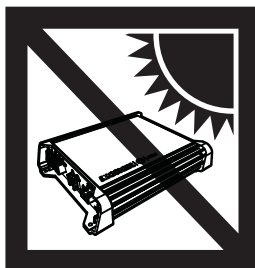
No or low output? ❶ Check the balance control on source unit ❷ Check the speaker output connections.

Alternator noise-whining sound with engine's RPM? ❶ Check for damaged 3.5mm cable ❷ Check the routing of 3.5mm cable ❸ Check the gain settings and turn them down if they are set too high.

Reduced bass response? Reverse a speaker connection from positive to negative on the stereo channel(s); if the bass improves, the speaker was out of phase.

CAUTION: When jump starting the vehicle, be sure that connections made with jumper cables are correct. Improper connections can result in blown amplifier fuses as well as the failure of other critical systems in the vehicle.

If you have more questions about the installation or operation of your new KICKER product, see the Authorized KICKER Dealer where you made your purchase. For more advice on installation, click on the SUPPORT tab on the KICKER homepage, www.kicker.com. Choose the TECHNICAL SUPPORT tab, choose the subject you are interested in, and then download or view the corresponding information. Please E-mail support@kicker.com or call Technical Services (405) 624-8583 for unanswered or specific questions.



ELECTRONICS LIMITED WARRANTY

When purchased from an Authorized KICKER Dealer, KICKER warrants this product to be free from defects in material and workmanship under normal use for a period of TWO (2) YEARS from date of original purchase. If this product is identified as "Refurbished" or "B Goods", the warranty is limited to a period of THREE (3) MONTHS from date of original purchase. In all cases you must have the original receipt. Should service be necessary under this warranty for any reason due to manufacturing defect or malfunction during the warranty period, KICKER will repair or replace (at its discretion) the defective merchandise with equivalent merchandise. Warranty replacements may have cosmetic scratches and blemishes. Discontinued products may be replaced with more current equivalent products. This warranty is valid only for the original purchaser and is not extended to owners of the product subsequent to the original purchaser. Any applicable implied warranties are limited in duration to a period of the express warranty as provided herein beginning with the date of the original purchase at retail, and no warranties, whether express or implied, shall apply to this product thereafter. Some states do not allow limitations on implied warranties; therefore, these exclusions may not apply to you. This warranty gives you specific legal rights; however you may have other rights that vary from state to state.

WHAT TO DO IF YOU NEED WARRANTY OR SERVICE:

Defective merchandise should be returned to your local Authorized Stillwater Designs (KICKER) Dealer for warranty service. Assistance in locating an Authorized Dealer can be found at www.kicker.com or by contacting Stillwater Designs directly. You can confirm that a dealer is authorized by asking to see a current authorized dealer window decal.

If it becomes necessary for you to return defective merchandise directly to Stillwater Designs (KICKER), call the KICKER Customer Service Department at (405) 624-8510 for a Return Merchandise Authorization (RMA) number. Package only the defective items in a package that will prevent shipping damage, and return to:

Stillwater Designs, 3100 North Husband St, Stillwater, OK 74075

The RMA number must be clearly marked on the outside of the package. Please return only defective components. The return of functioning items increases your return freight charges. Non-defective items will be returned freight collect to you. For example, if a subwoofer is defective, only return the defective subwoofer, not the entire enclosure. Include a copy of the original receipt with the purchase date clearly visible, and a "proof-of-purchase" statement listing the Customer's name, Dealer's name and invoice number, and product purchased.

Warranty expiration on items without proof-of-purchase will be determined from the type of sale and manufacturing date code. Freight must be prepaid; items sent freight-collect, or COD, will be refused.

WHAT IS NOT COVERED?

This warranty is valid only if the product is used for the purpose for which it was designed. It does not cover:

- o Damage due to improper installation
- o Subsequent damage to other components
- o Damage caused by exposure to moisture, excessive heat, chemical cleaners, and/or UV radiation
- o Damage through negligence, misuse, accident or abuse. Repeated returns for the same damage may be considered abuse
- o Any cost or expense related to the removal or reinstallation of product
- o Speakers damaged due to amplifier clipping or distortion
- o Items previously repaired or modified by any unauthorized repair facility
- o Return shipping on non-defective items
- o Products with tampered or missing barcode labels
- o Products with tampered or missing serial numbers
- o Products returned without a Return Merchandise Authorization (RMA) number
- o Products purchased from an UNAUTHORIZED dealer
- o Freight Damage
- o The cost of shipping product to KICKER
- o Service performed by anyone other than KICKER



HOW LONG WILL IT TAKE?

KICKER strives to maintain a goal of one week turnaround for all electronics (amplifiers, crossovers, equalizers, etc.) returns. Delays may be incurred if lack of replacement inventory or parts is encountered. Failure to follow these steps may void your warranty. Any questions can be directed to the KICKER Customer Service Department at (405) 624-8510. Contact your International KICKER dealer or distributor concerning specific procedures for your country's warranty policies.

FCC Statement

This equipment has been tested and found to comply with the limits for a Class B digital device, pursuant to part 15 of the FCC Rules. These limits are designed to provide reasonable protection against harmful interference in a residential installation. This equipment generates uses and can radiate radio frequency energy and, if not installed and used in accordance with the instructions, may cause harmful interference to radio communications. However, there is no guarantee that interference will not occur in a particular installation. If this equipment does cause harmful interference to radio or television reception, which can be determined by turning the equipment off and on, the user is encouraged to try to correct the interference by one or more of the following measures:

- Reorient or relocate the receiving antenna.
- Increase the separation between the equipment and receiver.
- Connect the equipment into an outlet on a circuit different from that to which the receiver is connected.
- Consult the dealer or an experienced radio/TV technician for help.

FCC Statement

This device complies with FCC radiation exposure limits set forth for an uncontrolled environment.

This device complies with Part 15 of the FCC Rules. Operation is subject to the following two conditions: (1) this device may not cause harmful interference, and (2) this device must accept any interference received, including interference that may cause undesired operation.

Caution! Any changes or modifications not expressly approved by the party responsible for compliance could void the user's authority to operate the equipment.

Canada Statement

This device complies with Industry Canada's licence-exempt RSSs. Operation is subject to the following two conditions:
(1) This device may not cause interference; and (2) This device must accept any interference, including interference that may cause undesired operation of the device.

Le présent appareil est conforme aux CNR d'Industrie Canada applicables aux appareils radio exempts de licence. L'exploitation est autorisée aux deux conditions suivantes :

(1) l'appareil ne doit pas produire de brouillage; (2) l'utilisateur de l'appareil doit accepter tout brouillage radioélectrique subi, même si le brouillage est susceptible d'en compromettre le fonctionnement.

The device meets the exemption from the routine evaluation limits in section 2.5 of RSS 102 and compliance with RSS-102 RF exposure, users can obtain Canadian information on RF exposure and compliance.

Le dispositif rencontre l'exemption des limites courantes d'évaluation dans la section 2.5 de RSS 102 et la conformité à l'exposition de RSS-102 rf, utilisateurs peut obtenir l'information canadienne sur l'exposition et la conformité de rf.

INTERNATIONAL WARRANTY

Contact your International KICKER dealer or distributor concerning specific procedures for your country's warranty policies.

Our goods come with guarantees that cannot be excluded under the **Australian Consumer Law**. You are entitled to a replacement or refund for a major failure and for compensation for any other reasonably foreseeable loss or damage. You are also entitled to have the goods repaired or replaced if the goods fail to be of acceptable quality and the failure does not amount to a major failure.

Canada Statement: This device complies with Industry Canada's license-exempt RSSs.

COFETEL

La operación de este equipo está sujeta a las siguientes dos condiciones: (1) es posible que este equipo o dispositivo no cause interferencia perjudicial (2) este equipo o dispositivo debe aceptar cualquier interferencia, incluyendo la que pueda causar su operación no deseada.

GARANTÍA INTERNACIONAL

Versión Español

Comuníquese con su concesionario o distribuidor KICKER internacional para obtener información sobre procedimientos específicos relacionados con las normas de garantía de su país.

La frase "combustible para vivir la vida Livin' Loud™ a todo volumen" se refiere al entusiasmo por la vida que la marca KICKER de estéreos de automóvil representa y a la recomendación a nuestros clientes de que vivan lo mejor posible ("a todo volumen") en todo sentido. La línea de altavoces y amplificadores KICKER es la mejor del mercado de audio de automóviles y por lo tanto representa el "combustible" para vivir a todo volumen en el área de "estéreos de automóvil" de la vida de nuestros clientes. Recomendamos a todos nuestros clientes que obedezcan todas las reglas y reglamentos locales sobre ruido en cuanto a los niveles legales y apropiados de audición fuera del vehículo.

INTERNATIONALE GARANTIE

Deutsche Version

Nehmen Sie mit Ihren internationalen KICKER-Fachhändler oder Vertrieb Kontakt auf, um Details über die Garantieleistungen in Ihrem Land zu erfahren.

WARNUNG: KICKER-Treiber können einen Schallpegel erzeugen, der zu permanenten Gehörschäden führen kann! Wenn Sie ein System auf einen Pegel stellen, der hörbare Verzerrungen erzeugt, schadet das Ihren Ohren mehr, als ein nicht verzerrtes System auf dem gleichen Lautstärkepegel. Die Schmerzschwelle ist immer eine Anzeige dafür, dass der Schallpegel zu laut ist und zu permanenten Gehörschäden führen kann. Seien Sie bei der Lautstärkeeinstellung bitte vernünftig!

Der Slogan "Treibstoff für Livin' Loud" bezieht sich auf die mit den KICKER-Autostereosystemen assoziierte Lebensfreude und die Tatsache, dass wir unsere Kunden ermutigen, in allen Aspekten ihres Lebens nach dem Besten ("Livin' Loud") zu streben. Die Lautsprecher und Verstärker von KICKER sind auf dem Markt für Auto-Soundsysteme führend und stellen somit den "Treibstoff" für das Autostereoerlebnis unserer Kunden dar. Wir empfehlen allen unseren Kunden, sich bezüglich der zugelassenen und passenden Lautstärkepegel außerhalb des Autos an die örtlichen Lärmvorschriften zu halten.

GARANTIE INTERNATIONALE

Versión Française

Pour connaître les procédures propres à la politique de garantie de votre pays, contactez votre revendeur ou distributeur International KICKER.

AVERTISSEMENT: Les haut-parleurs KICKER ont la capacité de produire des niveaux sonores pouvant endommager l'ouïe de façon irréversible ! L'augmentation du volume d'un système jusqu'à un niveau présentant une distorsion audible endommage davantage l'ouïe que l'écoute d'un système sans distorsion au même volume. Le seuil de la douleur est toujours le signe que le niveau sonore est trop élevé et risque d'endommager l'ouïe de façon irréversible. Réglez le volume en faisant preuve de bon sens!

L'expression " carburant pour vivre plein pot " fait référence au dynamisme de la marque KICKER d'équipements audio pour véhicules et a pour but d'encourager nos clients à faire le maximum (" vivre plein pot ") dans tous les aspects de leur vie. Les haut-parleurs et amplificateurs KICKER sont les meilleurs dans le domaine des équipements audio et représentent donc pour nos clients le " carburant pour vivre plein pot " dans l'aspect " installation audio de véhicule " de leur vie. Nous encourageons tous nos clients à respecter toutes les lois et réglementations locales relatives aux niveaux sonores acceptables à l'extérieur des véhicules.

Note: All specifications and performance figures are subject to change. Please visit www.kicker.com for the most current information.

P.O. Box 459 • Stillwater, Oklahoma 74076 • USA • (405) 624-8510



©2015 Stillwater Designs®