

PROFESSIONAL

WIRELESS MICROPHONE

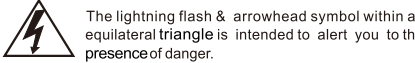
UHF

UHF

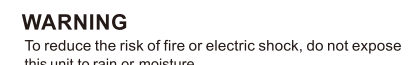
CAUTIONS AND WARNINGS



CAUTION: To reduce the risk of electric shock, do not remove cover (or back). No user-serviceable parts inside. Only refer servicing to qualified service personnel.



The lightning flash & arrowhead symbol within an equilateral triangle is intended to alert you to the presence of danger.



The exclamation point within an equilateral triangle is intended to alert you to the presence of important operating and servicing instructions.

WARNING
To reduce the risk of fire or electric shock, do not expose this unit to rain or moisture.

1. Read Instructions - All the safety and operating instructions should be read before the appliance is operated.

2. Retain Instructions - The safety and operating instructions should be retained for future reference.

3. Heed Warnings - All warnings on the appliance and in the operating instructions should be adhered to.

4. Follow Instructions - All operating and use instructions should be followed.

5. Attachments - Do not use attachments not recommended by the product manufacturer as they may cause hazards.

6. Water and Moisture - Do not use this unit near water. For example, near a bathtub or in a wet basement and the like.

7. Carts and Stands - The appliance should be used only with a cart or stand that is recommended by the manufacturer.

7.A. An appliance and cart combination should be moved with care. Quick stops, excessive force, and uneven surfaces may cause an overturn.

8. Ventilation - The appliance should be situated so its location does not interfere with its proper ventilation. For example, the appliance should not be situated on a bed, sofa, rug, or similar surface that may block the ventilation slots.

9. Heat - The appliance should be situated away from heat sources such as radiator, heat registers, stoves, or other appliances (including amplifiers) that produce heat.

10. Power Sources - Precautions should be taken so that the grounding or polarization marked on the appliance.

11. Grounding or Polarization - Precautions should be taken so that the grounding or polarization means of the appliance is not defeated.

12. Power Cord Protection - Power-supply cords should be routed so that they are not likely to be walked on or pinched by items placed upon or against them. Pay particular attention to cords at plugs, convenience receptacles, and the point where they exit from the appliance.

13. Cleaning - Unplug this unit from the wall outlet before cleaning. Do not use liquid cleaners or aerosol cleaners. Use a damp or dry cloth for cleaning.

14. Power Lines - An outdoor antenna should be located away from power lines.

15. Nonuse Periods - The power cord of the appliance should be unplugged from the outlet when left unused for a long period of time.

16. Object and Liquid Entry - Care should be taken so that objects do not fall and liquids are not spilled into enclosure through openings.

17. Damage Requiring Service - The appliance should be serviced by qualified service personnel when:

- A. The power supply cord or plug has been damaged; or
- B. Objects have fallen into the appliance; or
- C. The appliance has been exposed to rain; or
- D. The appliance does not appear to operate normally or exhibits a marked change in performance; or
- E. The appliance has been dropped, or the enclosure damaged.

18. Servicing - The user should not attempt to service the appliance beyond that described in the operating instructions. All other servicing should be referred to qualified service personnel.



CONTENTS

INTRODUCTION ----- 1
DESCRIPTION ----- 1-2
USING THE WIRELESS RECEIVER ----- 3
USING THE HANDHELD MICROPHONE TRANSMITTER ----- 3
TIPS AND TROUBLESHOOTING ----- 4
SPECIFICATIONS ----- 4

INTRODUCTION

Thank you for purchasing this professional wireless microphone system. Enjoy the compact and easy-going features it brings to you, and above all, enjoy the excellent sound quality that only experienced professional manufacturers can produce today.

This wireless microphone system contains the following components:

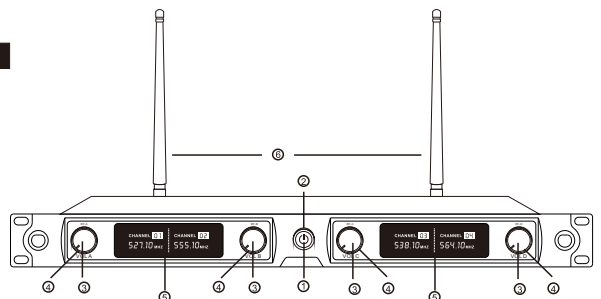
- Wireless Receiver
- Handheld Microphone Transmitters
- Batteries for Transmitters
- Audio Connecting Cable
- User Manual
- (Adapter)

DESCRIPTION

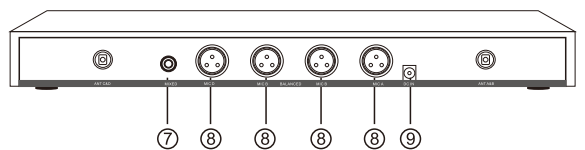
Wireless Receiver (Figure 1)

1. Power Button.
2. Power LED light.
3. Volume.
4. RF Signal Indicator.
5. Display Screen.
6. Telescoping Antennas: to receive signals from the transmitter.
7. Mixed unbalanced audio output connector(6.35mm connector).
8. XLR Audio Output Connectors.
9. Separated audio output connector.
10. Power cord AC 220V.
11. Power Input Connector: Connect to a 220V/110V DC Power adapter.
12. Frequency.

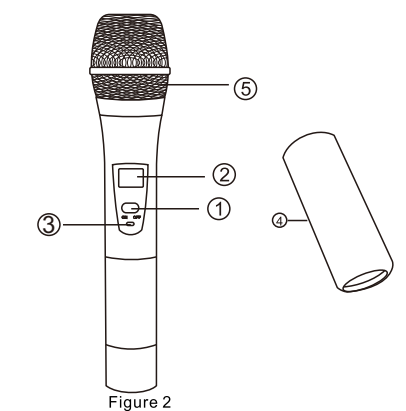
FRONT



BACK



Handheld Microphone Transmitter (Figure 2)



1. **Power Button:** press and hold on to turn on or turn off the power;
2. **Display Screen:** display the channel and frequency;
3. **Low Battery Indicator:** the red light turn on if the battery is not enough ;
4. **Battery Cover:**
5. **Sound Receiver:** steel netting and sound head module;

Using The Wireless Receiver

1. Connect the AC adapter to the POWER jack on the rear panel of the receiver. Plug the AC adapter into an appropriate power outlet.
2. Press the power switch to the ON position to turn on the receiver and the power indicator light turn red. Make the antennas and the receiver body for a 90° angle.
3. Audio output connection: For the mixed output, please connect A+B mixed output of the receiver and the audio connecting cable; For the separate output, please connect A output or B output of the receiver and the audio connecting cable.
4. When the handheld microphone on, the receiver "RF" signal is growing. The receiver output volume can be adjusted by the volume control knob;
5. If it is not used for a long time, please pull out the power adapter.

Using The Handheld Microphone Transmitters(Figure 3)

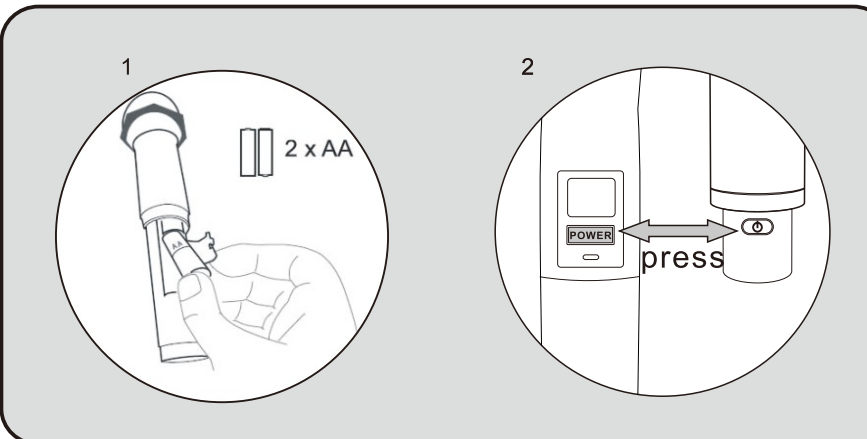


Figure 4

1. Take off the transmitter battery cover to expose the battery case. Insert two 1.5V batteries into the battery company compartment and then replace the battery cover.
2. Press the power button and hold on to turn on the power. The display screen will light up the microphone will start to work. If the LED light do not light, please check whether the polarity of the battery is correct.
3. Replaced the batteries if the power light turn red for the battery voltage not enough.
4. If it is not used for a long time, please take out the batteries in the microphone, so as to avoid battery leaking and damaging the microphone.

TIPS AND TROUBLESHOOTING

Tips for getting the best performance

- Maintain a line-of-sight between the transmitter and receiver antennas.
- Keep the receiver and antennas away from large metal objects.
- Avoid placing the receiver near computers or other RF generating equipment.
- Point the receiver antennas straight up.
- Avoid placing the receiver in the bottom of an equipment rack unless the antennas are remotely located.

Troubleshooting

Some common problems and their solutions are identified in the table below. If you are unable to solve a problem, contact your dealer.

Problem	Solution
No sound;RF light(S) not glowing.	<ul style="list-style-type: none"> • Make sure the transmitter POWER switch is ON and the receiver is plugged into a power source. • Check battery. • Check receiver squelch setting. • Check receiver antenna connection(s). • Make sure antennas are in line of sight of transmitter.
No sound;RF lights glowing.	<ul style="list-style-type: none"> • Turn up receiver audio VOLUME control. • Check for proper connection between receiver and audio mixer unit.
Received signal is noisy or contains extraneous sounds with transmitter on.	<ul style="list-style-type: none"> • Check battery. • Remove local sources of RF interference. • If using a guitar or other instrument,check connections.Two transmitters may be operating on the same frequency.Locate and turn one off. • Signal may be too weak. Reposition antennas. If possible,move them closer to transmitter.
Noise from receiver with transmitter off.	<ul style="list-style-type: none"> • Adjust receiver squelch control. • Remove local sources or RF interference. • Reposition receiver or antennas.
Momentary loss of sound as transmitter is moved around performing area.	<ul style="list-style-type: none"> • Reposition receiver and perform another "walkthrough" test and observe the RF indicators. If audio dropouts persist, mark these "dead spots" in performing area and avoid them during performance.

SPECIFICATIONS

Squelch Control: Noise Lock	Operating Range:50m in open Area;
Frequency Deviation:±18kHz	Resonance Interfere Rate:≥50dB;
Frequency Response:80Hz-15kHz	False Image Interfere Rate:≥50dB;
Frequency Stability:±0.005%	Receiver Power Supply:DC 110-120V/220-240V;
S/N Ratio:≥70db	Transmitter Power supply:1.5V Batteries;
Total Harmonic Distortion:≤0.5%[at 1kHz]	Transmit Power:≤10mW;
Number of Channels: 8Channel	Frequency Range: 518.1MHz-557.7MHz
Receiving Sensitivity:>-90dB	Output Type:Separated or Mixed Output

Specifications are subject to change without further notice.

§ 15.19 Labelling requirements.

This device complies with part 15 of the FCC Rules. Operation is subject to the following two conditions: (1) This device may not cause harmful interference, and (2) this device must accept any interference received, including interference that may cause undesired operation.

§ 15.21 Information to user.

Any Changes or modifications not expressly approved by the party responsible for compliance could void the user's authority to operate the equipment.

§ 15.105 Information to the user.

Note: This equipment has been tested and found to comply with the limits for a Class B digital device, pursuant to part 15 of the FCC Rules. These limits are designed to provide reasonable protection against harmful interference in a residential installation. This equipment generates uses and can radiate radio frequency energy and, if not installed and used in accordance with the instructions, may cause harmful interference to radio communications. However, there is no guarantee that interference will not occur in a particular installation. If this equipment does cause harmful interference to radio or television reception, which can be determined by turning the equipment off and on, the user is encouraged to try to correct the interference by one or more of the following measures:

- Reorient or relocate the receiving antenna.
- Increase the separation between the equipment and receiver.
- Connect the equipment into an outlet on a circuit different from that to which the receiver is connected.
- Consult the dealer or an experienced radio/TV technician for help.