
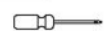


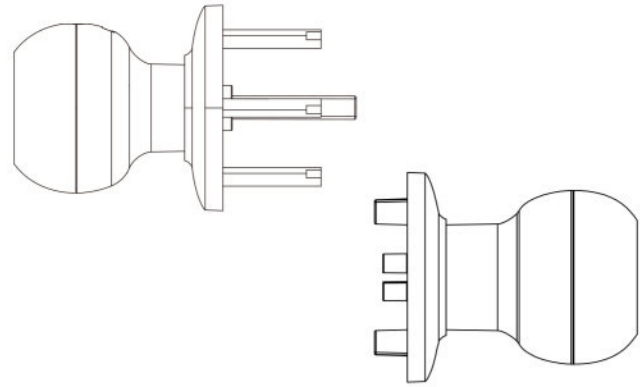


# SMART DOOR LOCK

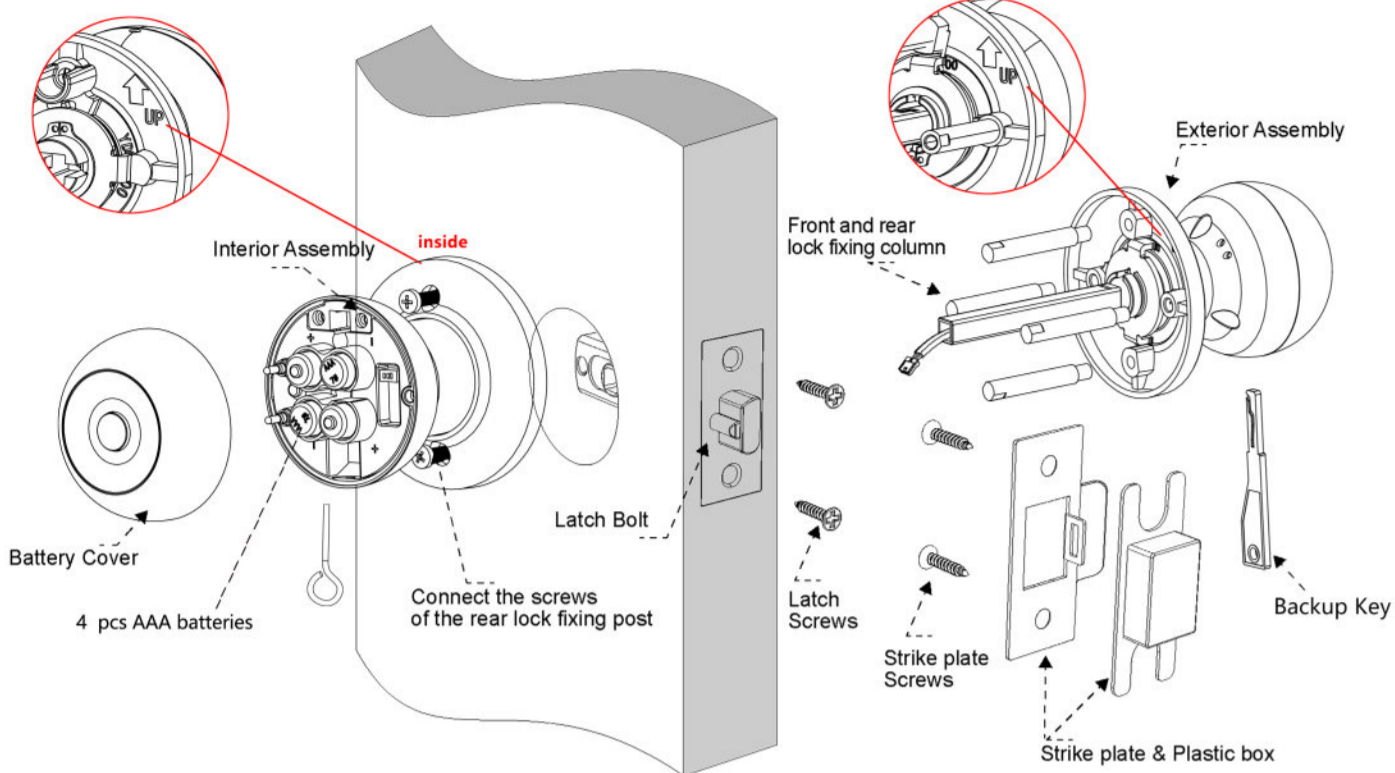
## Installation and User Guide

### Required tools ( not included )

- Ruler 
- Philips head screwdriver 
- Hammer 
- Chisel 




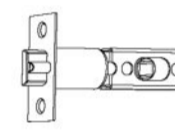
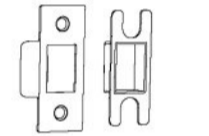
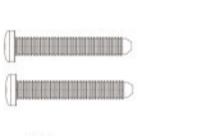
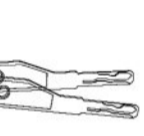



### Exploded View

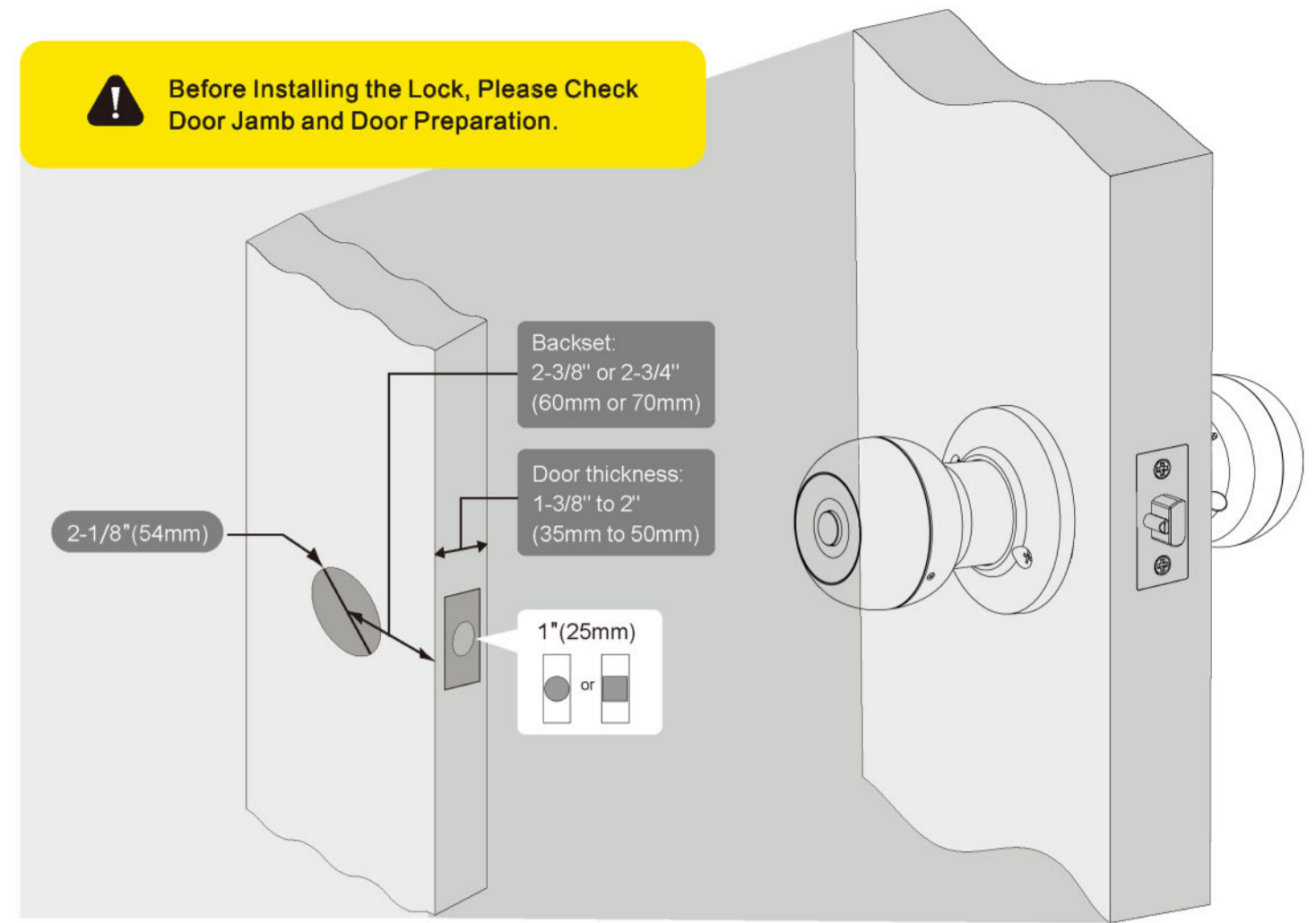


**Kindly reminder**  
If the lock appears to be damaged or missing parts, please contact customer service email or for further assistance.

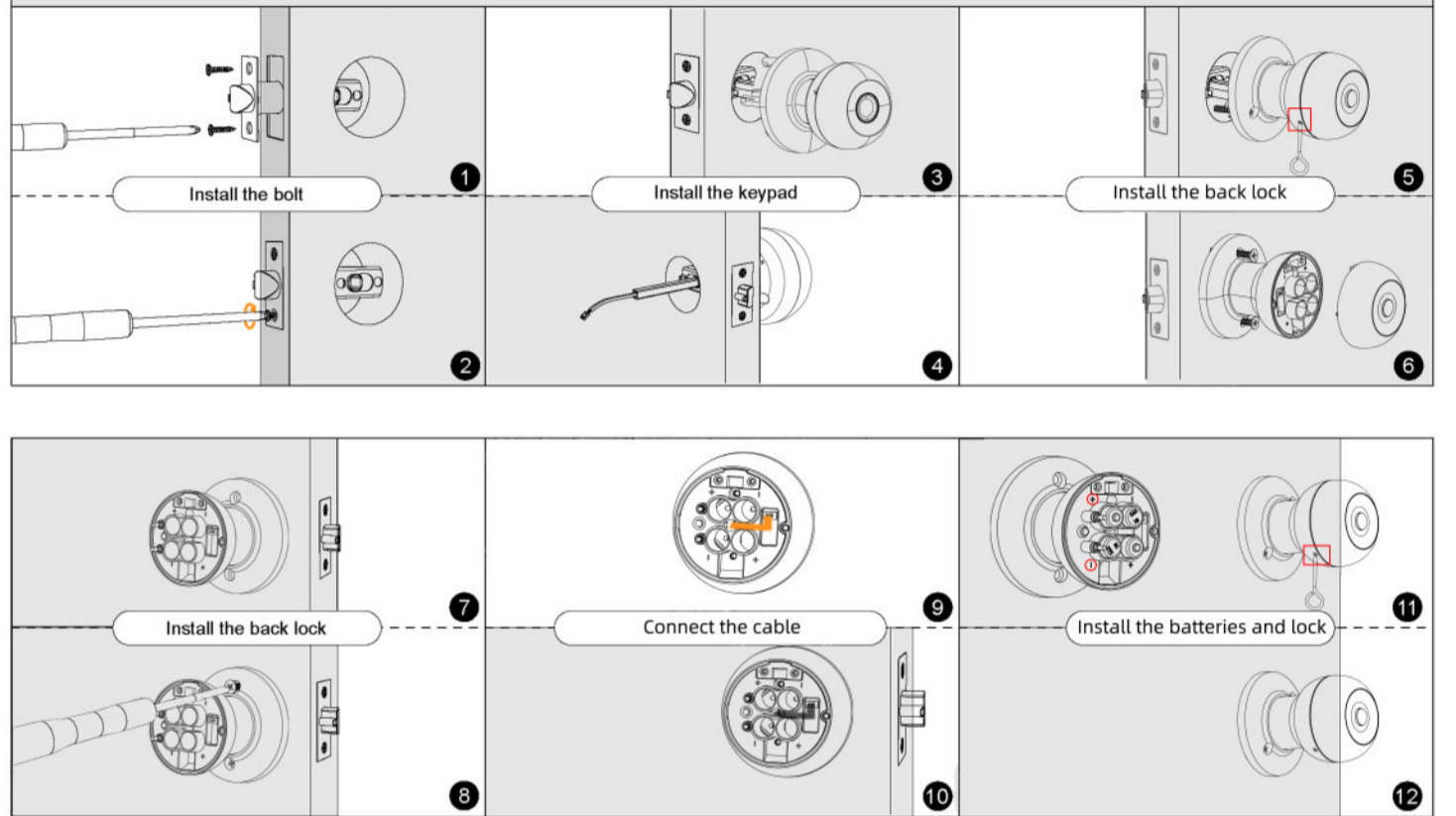
### Parts List

 1 Exterior Assembly	 2 Interior Assembly	 3 Pin	 4 Latch Bolt
 5 Strike plate & Plastic box	 6 Connect the screws of the rear lock fixing post	 7 Backup Keys	 8 Latch Screws

### Simple flowchart of installation

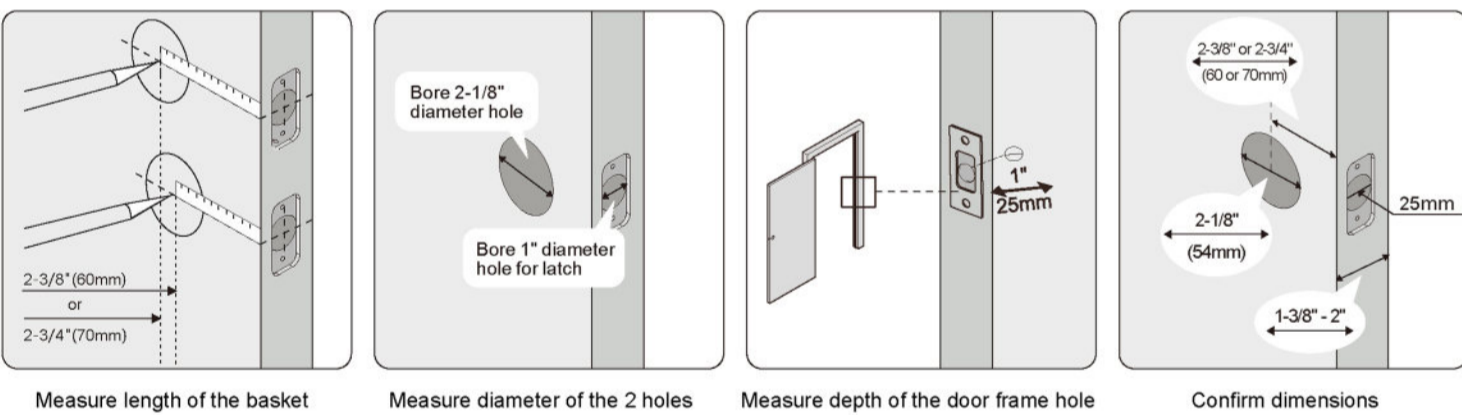


### Detailed installation steps

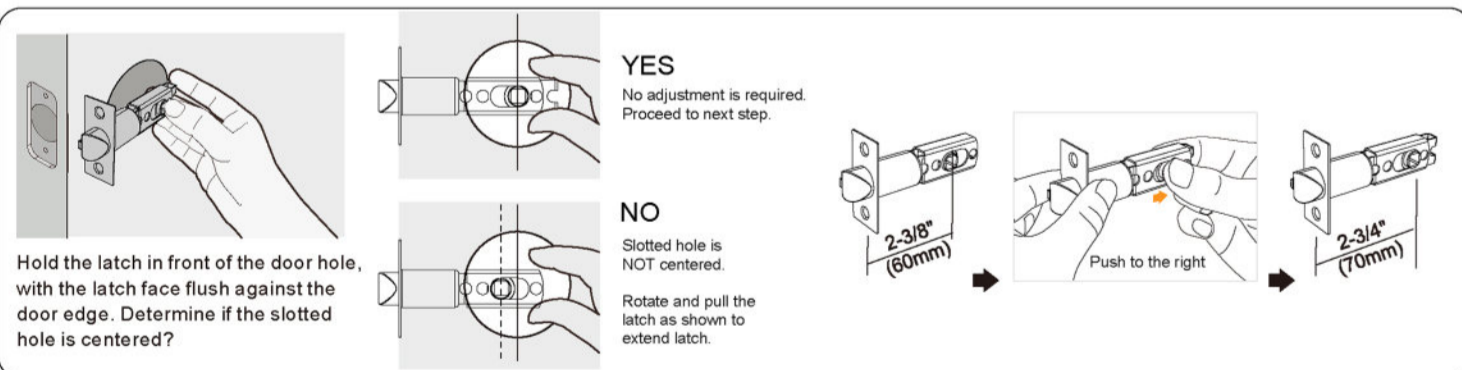


### Precautions for installation

#### 1. Prepare the door and check dimensions



#### 2. Install the latch and strike

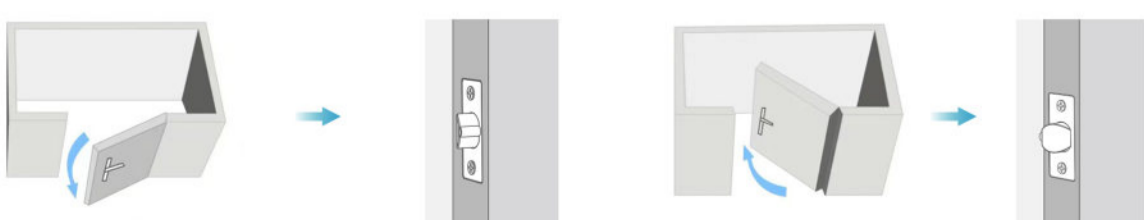


### Identify left/right hand door

Left hand door:Hinge is on the LEFT



Right hand door:Hinge is on the RIGHT



### Warning

This manufacturer advises that no lock can provide complete security by itself, this lock maybe defeated by forcible or technicak means or evaded by entry elsewhere on the property, no lock can substitute for caution, awareness of your environment, and common sense. Builder's hardware is available in multiple performance grades to suit the application. In order to enhance security and reduce risk, you should consult a qualified technician or other security professional.

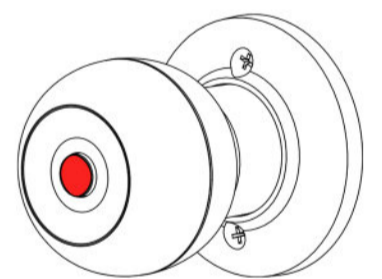
### The deadlock button instructions

#### Passgae mode ON:

Setting via lock: Under unlocking state, long press the deadlock button on the back lock for 2s .

#### Passage mode OFF:

Shortly press the deadlock button for ≤1s and unlock by fingerprint once to turn Passage Mode off or unlock via APP.



#### Deadlock button ON:

Setting via lock: Under locking state, long press the deadlock button for 2s.

#### Deadlock button OFF:

- 1) Shortly press the deadlock button to turn it off;
- 2) Unlock via APP to turn it off
- 3) Unlock the door by administrator's fingerprint once.

#### Restore Factory settings:

- 1) Setting via lock: Within 25s after re-powering up ( no other functional settings during this period), long press the deadlock button for 5s, indicator light flashes and follow the indicator voice to touch the fingerprint sensor by any fingerprint for confirmation.
- 2) Setting via APP: Remove the device from the APP

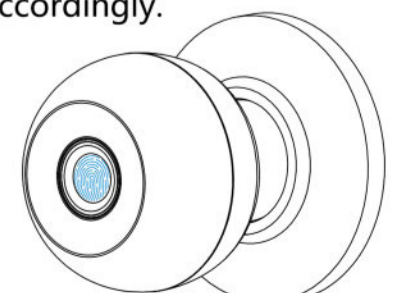
### Add fingerprint

#### Add administrator's fingerprint:

After unlocking the lock, press the deadlock button for 3 times within 10s, and after hearing voice tips, follow the instructions to add fingerprint accordingly. First fingerprint added shall be administrator's fingerprint.

#### Add users' finerprint:

After unlocking the lock, shortly press the deadlock button for 3 times within 5s to enter into fingerprint's setting step. It will automatically exit from this function setting mode with 8s if no operation performed.



**Tips:**  
Register (add) complete fingerprint area including up, down, left and right edges. Move finger slightly each time when programming to improve accuracy.





## App Operation Guide

We recommend using app because it's easier to set and more convenient for future use.

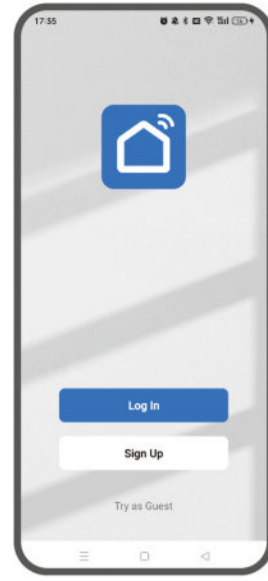
### 1. Create an Account

**Android:** Search Smart Life on Google Play.

**iOS:** Search Smart Life on the App store.

**OR:** Scan the QR code below to download Smart Life App.

Sign up and log into your account with an email address.

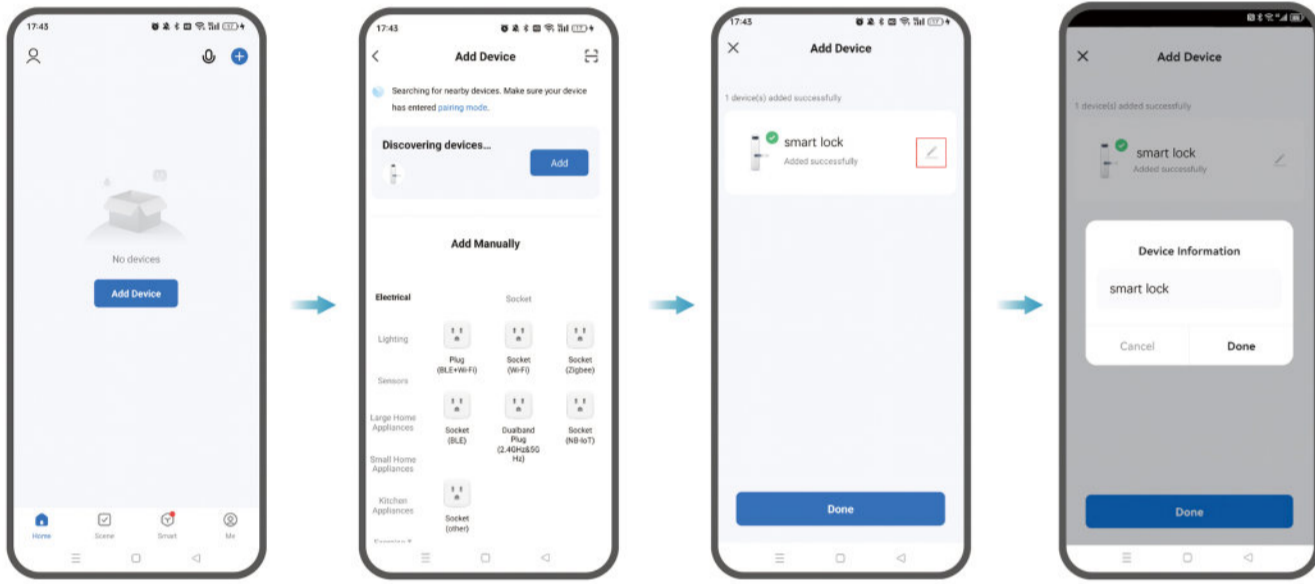


### 2. Pair Your Phone with the Smart Lock

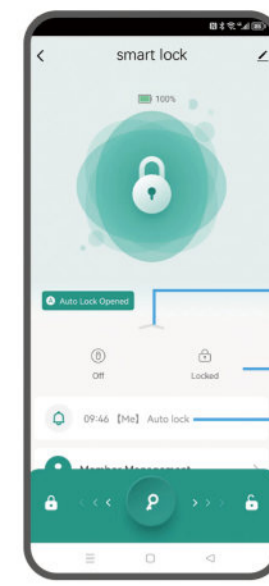
**Step 1:** Press any key to wake up the lock, you will hear a voice prompt "Please add Bluetooth Administrator". If not, please reset the lock. Tap **Add Device**.

**Step 2:** Add the lock discovered.

**Step 3:** Name the lock and Tap **Done**.



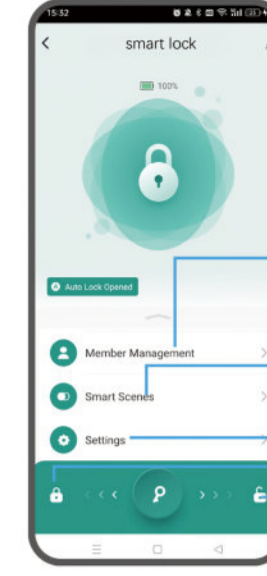
### 3. APP Homepage Overview



Tap here to check more

Lock status

Lock Activities



Set passcodes and fingerprints for the admin and family members.

Receive notifications when family members go home or the door lock alarms.

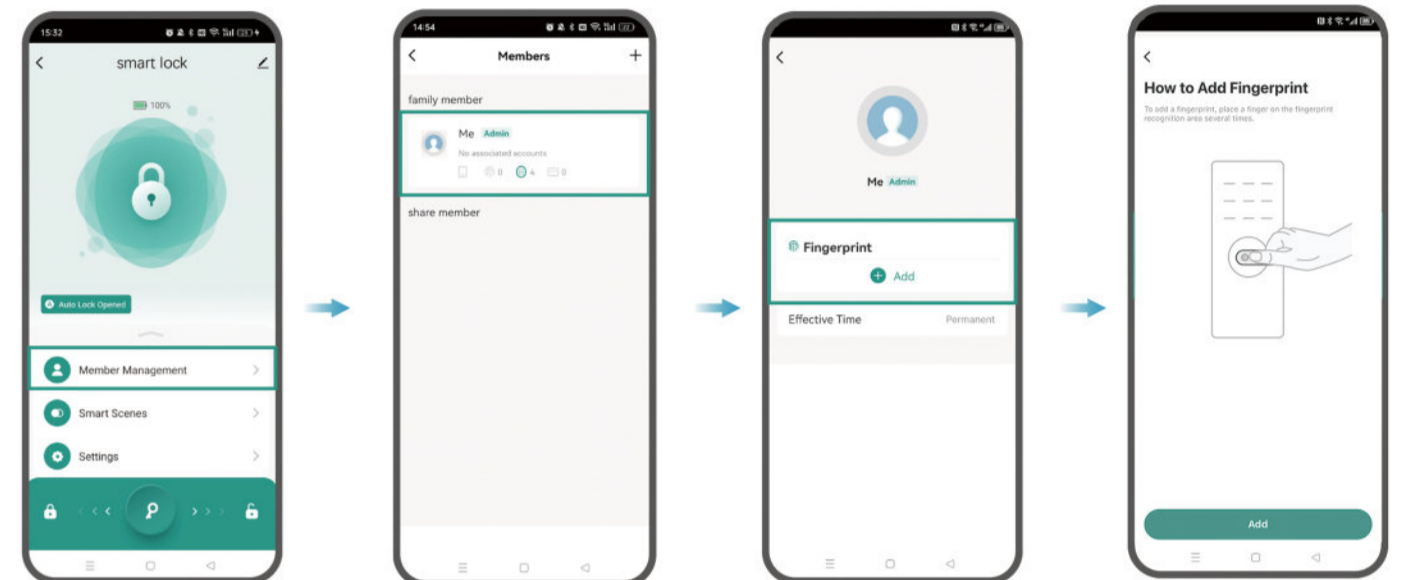
Check and change lock settings.

Lock

Unlock

### 4. Set Fingerprints (up to 50)

Tap **Member Management** → **Admin** → **Add Fingerprint** → Follow the on-screen instructions to add a fingerprint.



**For the lock to better recognize your fingerprints:**

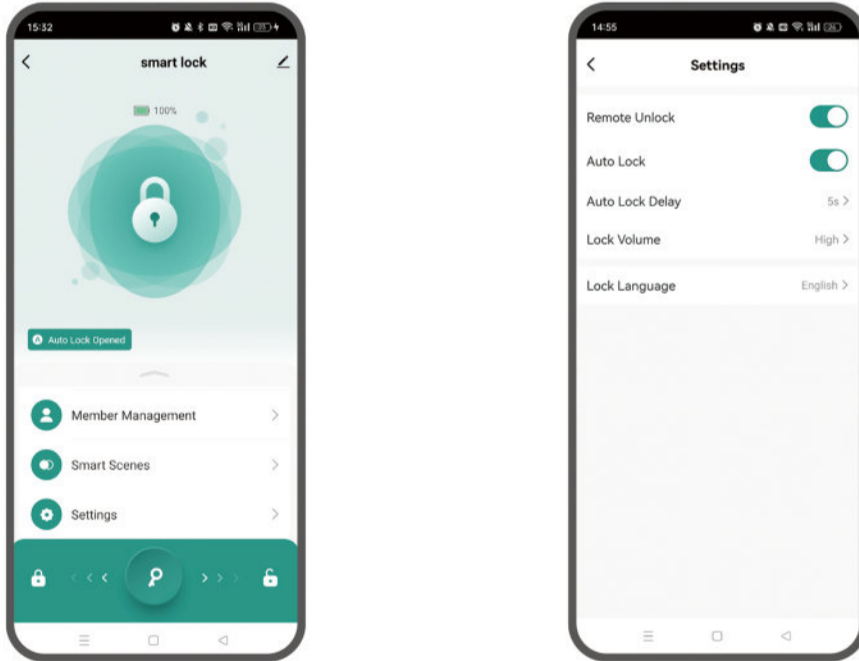
1. Make sure the fingerprint sensor and your finger are clean and dry.
2. Place your finger on the fingerprint sensor. Move your finger around to capture different parts of it.

### 5. Auto Lock

**Settings** → **Auto Lock Delay** (Change the interval time as needed)

**Settings** → **Remote Unlock**

**Note:** By default, The lock is set to automatically lock after 5 seconds.



### 6. Add Member

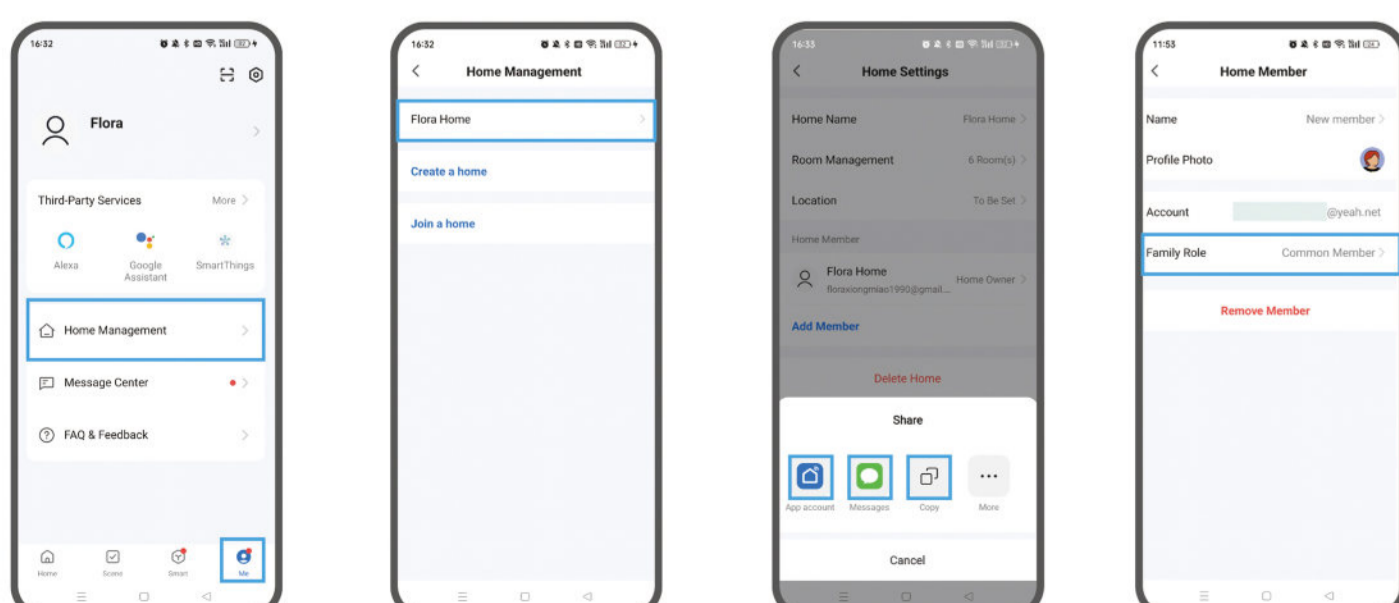
1. The home owner taps **Me** → **Home Management** → **Your Home** → **Add Member** → **Tap Copy/Messages** → Send the invitation code to the recipient.

2. The recipient taps **Me** → **Home Management** → **Join a Home** and enter the invitation code.

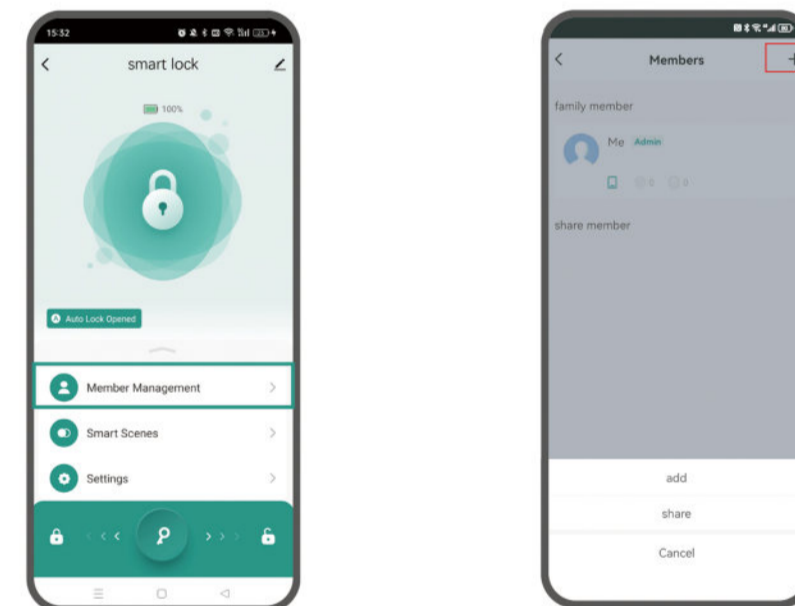
Once the recipient be a home member, you can change the family role of the recipient.

**Common member:** Use device, use smart setting.

**Administrator:** Manage device and room, manage smart setting, manage member.



Or add it directly on this page



### FQA

The solution for details of FQA, please refer to the InstructionsGuide. If necessary, please connect with our customer service.

Question	Answer
How to add fingerprints	Please go to fingerprints in the app, tap "+ Add" button and follow the voice instructions to add the fingerprint on the lock accordingly.
Can the lock sound be muted?	Stand nearby the lock, turn on your phone's Bluetooth and open the App, tap Settings->Lock Volume->Mute
Does it support the Alexa function?	Yes, it supports Alexa APP but it needs matching with Wi-Fi Gateway.
How do I set up auto lock?	Check the part (5.Auto lock)
Fingerprint recognition is not working.	Press in seconds will be better for fingerprint recognition.
How to get a Wi-Fi gateway?	You can purchase an additional gateway, and also to contact our customer service.

**FCC Caution.**

This device complies with part 15 of the FCC Rules. Operation is subject to the following two conditions: (1) This device may not cause harmful interference, and (2) this device must accept any interference received, including interference that may cause undesired operation.

Any Changes or modifications not expressly approved by the party responsible for compliance could void the user's authority to operate the equipment.

Note: This equipment has been tested and found to comply with the limits for a Class B digital device, pursuant to part 15 of the FCC Rules. These limits are designed to provide reasonable protection against harmful interference in a residential installation. This equipment generates uses and can radiate radio frequency energy and, if not installed and used in accordance with the instructions, may cause harmful interference to radio communications. However, there is no guarantee that interference will not occur in a particular installation. If this equipment does cause harmful interference to radio or television reception, which can be determined by turning the equipment off and on, the user is encouraged to try to correct the interference by one or more of the following measures:

- Reorient or relocate the receiving antenna.
- Increase the separation between the equipment and receiver.
- Connect the equipment into an outlet on a circuit different from that to which the receiver is connected.
- Consult the dealer or an experienced radio/TV technician for help.

**\*RF warning for Mobile device:**

This equipment complies with FCC radiation exposure limits set forth for an uncontrolled environment. This equipment should be installed and operated with minimum distance 20cm between the radiator & your body.