

B02U-N

V.2022.10



IPS Screen



IP67 Waterproof



Bluetooth Unlock



UART/CAN communication protocol



Tempered Glass



26K True Color Display



Projected Navigation

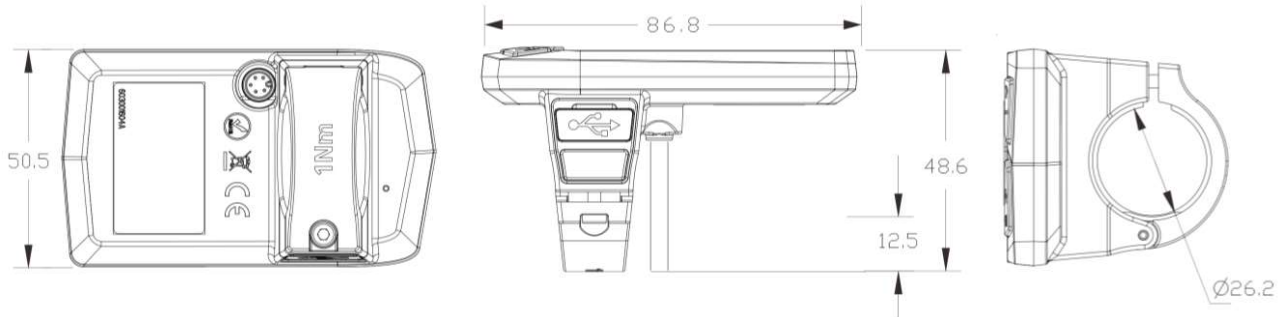


Animated UI



B02U-N

V.2022.10



General Parameters

Dimensions	Length*Width*Height	86.8*50.5*12.5 (mm)
	Screen Dimensions	2.4"
	Handlebar Adaption	22.2/25.4 (mm)
Screen	Type	IPS
	Color	RGB
	Resolution	320*240px
Connector	Type	M5 Waterproof Connector
	Length	20 cm
General Feature	Voltage	12V/32V/48V/60V
	Working Temperature	-20 °C - +70 °C
	Waterproof Grade	IP67
	Weight	67g
Other Feature	Communication Protocol	UART/CAN
	Bluetooth	4.0 + BLE
	Type-C interface	Support
Certification	CE / RoHS / REACH	Support Customization

Display Items

Current Speed
Max Speed
Average Speed
Single Mileage
Total Mileage
Remaining Mileage
Error Code
Battery Capacity
Power-aided Shoving

Parameters Setup

Backlight Brightness
Unit Switch
Speed limit
Wheel Diameter
Battery Voltage Switch
Sleep Mode Timing
Data Reset
Password Setting
English, European/Southeast Asian languages, etc

FCC Caution

This device complies with part 15 of the FCC Rules. Operation is subject to the following two conditions:

- (1) This device may not cause harmful interference, and
- (2) this device must accept any interference received, including interference that may cause undesired operation.

Any Changes or modifications not expressly approved by the party responsible for compliance could void the user's authority to operate the equipment.

Note: This equipment has been tested and found to comply with the limits for a Class B digital device, pursuant to part 15 of the FCC Rules. These limits are designed to provide reasonable protection against harmful interference in a residential installation. This equipment generates uses and can radiate radio frequency energy and, if not installed and used in accordance with the instructions, may cause harmful interference to radio communications. However, there is no guarantee that interference will not occur in a particular installation. If this equipment does cause harmful interference to radio or television reception, which can be determined by turning the equipment off and on, the user is encouraged to try to correct the interference by one or more of the following measures:

- Reorient or relocate the receiving antenna.
- Increase the separation between the equipment and receiver.
- Connect the equipment into an outlet on a circuit different from that to which the receiver is connected.
- Consult the dealer or an experienced radio/TV technician for help.

The device has been evaluated to meet general RF exposure requirement. The device can be used in portable exposure condition without restriction. The use distance is not more than 5mm.