

Bluetooth Speaker User Manual

Thank you for your choose this product, Your recognition has always been our driving force.



1: Instruction:

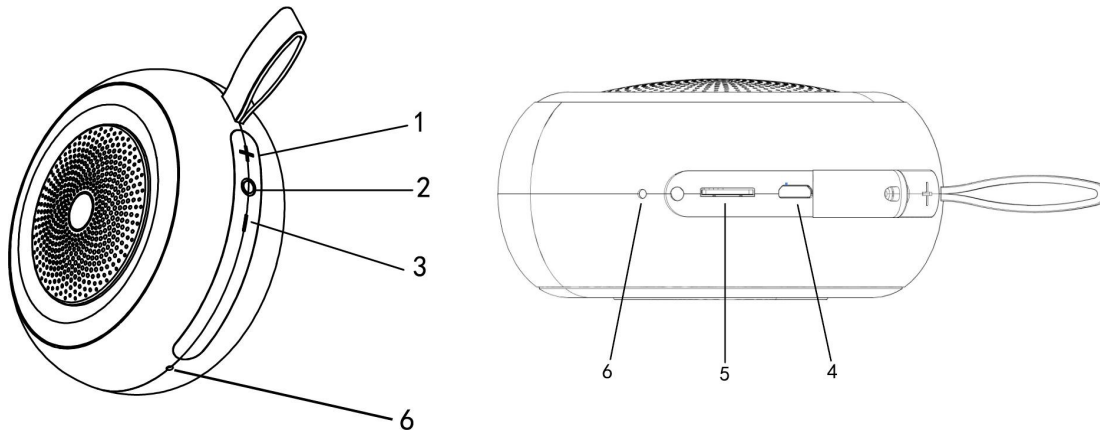
Before using this product pls carefully read the instruction first, to avoid any confused.

1: Firstly please press the swich on/off button of this product. Then open your smart devices to connect the bluetooth name"Stone 135", successfully connected you will hearing the "Ding dong" voice prompt for paring.

2: After connected the bluetooth, you can play any music on your smart devices anytime anywhere then.

2: How to using:

Follows picture for the product buttons instruction.



1: Volume up/Next song button. Short press will be change to next song. Long press will be volume up. Dual press for FM radio function.

2: Switch On/Off button. Long press of 3 second for Switch on/off. Short press for Pause/Play function. Dual press for TWS function. Long press of 8 second for Reset function.

3: Volume down/Previous song button. Short press will be change to previous song. Long press will be volume down.

4: Micro USB Charging port, you can connect the USB cable for get charging if the unit battery is low.

5: TF card slot, the unit can play music after TF card insert.

6: Mic position, help the unit get better communicates quality.

FCC Caution:

This device complies with part 15 of the FCC Rules. Operation is subject to the following two conditions: (1) The device may not cause harmful interference, and (2) this device must accept any interference received, including interference that may cause undesired operation.

FCC Statement:

Changes or modifications not expressly approved by the party responsible for compliance could void the user's authority to operate the equipment.

This equipment has been tested and found to comply with the limits for a Class B digital device,

pursuant to Part 15 of the FCC Rules. These limits are designed to provide reasonable protection against harmful interference in a residential installation. This equipment generates

uses and can radiate radio frequency energy and, if not installed and used in accordance with the instructions, may cause harmful interference to radio communications. However, there is no guarantee that interference will not occur in a particular installation. If this equipment does cause harmful interference to radio or television reception, which can be determined by turning the equipment off and on, the user is encouraged to try to correct the interference by one or more of the following measures:

- Reorient or relocate the receiving antenna.
- Increase the separation between the equipment and receiver.
- Connect the equipment into an outlet on a circuit different from that to which the receiver is connected.
- Consult the dealer or an experienced radio/TV technician for help

The device has been evaluated to meet general RF exposure requirement. The device can be used in portable exposure condition without restriction.

Thank you for your reading, hope you have a nice experience!