


正面

### User Manual

#### Magnetic Car Wireless Charger



#### Operating Instruction of Magnetic

1. iPhone 12 series phones with built-in magnetic or with magnetic protective case can use it directly.



Use magnetic protective case  
iPhone 12 phones with non-magnetic protective case can't use it

2. iPhone 12 or other phones with non-magnetic protective case need to use the provided metal sheet.

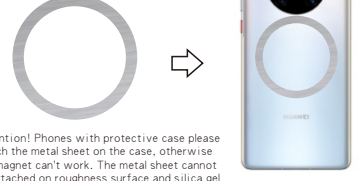
Attention! Must attach the metal sheet on the center of phone, otherwise it will get heated and stop charging, need to remove the metal sheet and attach it at right place.



1 Tear off protective film  
2 Tear off double faced adhesive tape  
3 Attach it on the center of protective case

#### 3. Non-iPhone 12 series usage

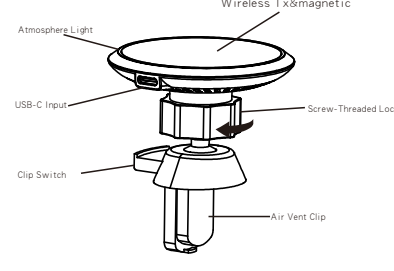
Huawei, Xiaomi, Samsung and iPhone 11 phones need to use the provided metal sheet.



Attention! Phones with protective case please attach the metal sheet on the case, otherwise the magnet can't work. The metal sheet cannot be attached on roughness surface and silica gel materials protective case.


#### Specification & Function Description

Input: USB-C 5V=2A Wireless Out:5W  
Input: USB-C 9V=2A Wireless Out:15W/10W/7.5W  
Dimension:30 (H) x68(Φ)mm  
Weight:50g



### 使用说明书

#### 磁吸车载无线充电器



#### 磁吸使用方法

1. iPhone12系列内置磁铁可以直接使用，磁吸保护壳直接使用。



请使用磁吸保护壳  
iPhone12手机装无磁吸保护壳无法使用


2. iPhone12或其它手机使用无磁吸保护壳，贴上配铁圈使用。  
注意!铁线圈必须贴在手机中心，否则会发热断电，不充电需要拆下重新对位。



1 保护膜撕开  
2 双面胶撕开  
3 贴手机保护壳中心位置

#### 3. 非iPhone12系列使用方法

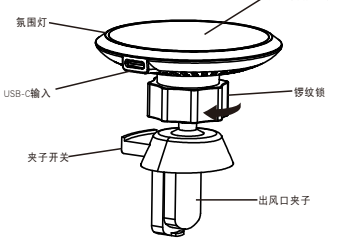
华为、小米、三星、iPhone11等手机需要贴上配铁圈均可使用



注意!手机带保护壳请贴保护壳外否则无法磁吸,凹凸面和硅胶保护无法贴上

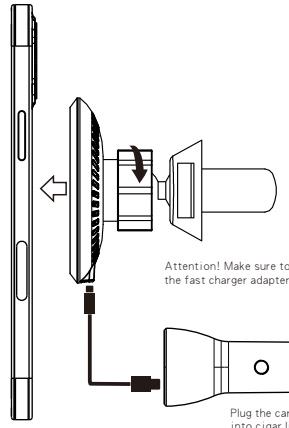
#### 规格参数与功能视图:

输入: USB-C 5V =2A 无线输出:5W  
输入: USB-C 9V =2A 无线输出:15W/10W/7.5W  
体积:30 (H) x68(Φ)mm  
净重:50g

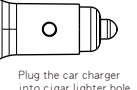


反面


#### How to use the air vent mount holder:



Attention! Make sure to use the fast charger adapter 9V/2A.



Plug the car charger into cigar lighter hole.



#### Installation of Sucking on Glass:



Forward Installation  
1.Pull up the switch  
2.Put the charger on the place you need to stand and get out the air  
3.Press down the switch

Reverse Installation  
1.Pull up the switch  
2.Put the charger on the place you need to stand and get out the air  
3.Press down the switch



Installation of Sucking on Glass

#### Product Warranty Card

Warranty Period: 12 months

Thanks for using our product, we provide 12 months of free charge after-sales service under normal usage. In order to protect your rights, please be sure to fill in the following content truthfully and affix the dealer's seal when purchasing. If the product is damaged by man-made or force majeure, or the product has expired, and the warranty card is not presented, the company reserves the right to charge appropriate service fees at its discretion.

Product Brand: \_\_\_\_\_  
Product Name: \_\_\_\_\_  
Product Model: \_\_\_\_\_  
Purchase Date: \_\_\_Month\_\_\_Day\_\_\_Year

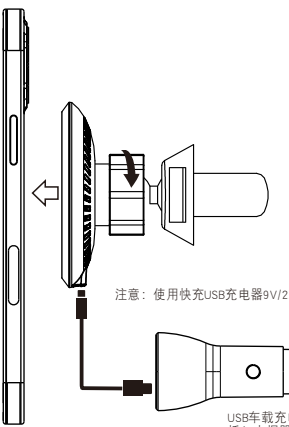
If there is no purchase date filled in, the factory date shall prevail!

Dealer Signature: \_\_\_\_\_

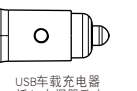
Reasons for Defective: \_\_\_\_\_

Customer Name: \_\_\_\_\_  
Address: \_\_\_\_\_  
Contact Number: \_\_\_\_\_


#### 出风口支架使用方法:



注意: 使用快充USB充电器9V/2A



USB车载充电器插入点烟器孔上



#### 座底口支架使用方法:



正向安装  
1.先真空吸座打开  
2.用力下底座空气出来后。  
3.压下开关

反向安装  
1.先真空吸座打开  
2.用力下底座空气出来后。  
3.压下开关



吸玻璃安装视图

#### 产品保修卡

12个月保修

感谢您使用本公司的产品,本产品从购买之日起,正常使用的情况下,提供一年免费售后服务。为了保障您的权益,购买时请务必如实填写以下内容及加盖经销商印章,人为或不可抗力损坏,或产品已过保修期,及未出示保修卡者,本公司有权酌情收取适当的售后服务费用。

产品品牌: \_\_\_\_\_  
产品名称: \_\_\_\_\_  
产品型号: \_\_\_\_\_  
购买日期: \_\_\_年\_\_\_月\_\_\_日  
无填写购买日期者,以出厂日期为准!

经销商签章: \_\_\_\_\_

商品不良原因: \_\_\_\_\_

购买顾客: \_\_\_\_\_  
联系电话: \_\_\_\_\_  
购买顾客地址: \_\_\_\_\_

## FCC WARNING

This device complies with part 15 of the FCC Rules. Operation is subject to the following two conditions: (1) this device may not cause harmful interference, and (2) this device must accept any interference received, including interference that may cause undesired operation.

Any changes or modifications not expressly approved by the party responsible for compliance could void the user's authority to operate the equipment.

NOTE: This equipment has been tested and found to comply with the limits for a Class B digital device, pursuant to Part 15 of the FCC Rules. These limits are designed to provide reasonable protection against harmful interference in a residential installation. This equipment generates, uses and can radiate radio frequency energy and, if not installed and used in accordance with the instructions, may cause harmful interference to radio communications.

However, there is no guarantee that interference will not occur in a particular installation.

If this equipment does cause harmful interference to radio or television reception, which can be determined by turning the equipment off and on, the user is encouraged to try to correct the interference by one or more of the following measures:

- Reorient or relocate the receiving antenna.
- Increase the separation between the equipment and receiver.
- Connect the equipment into an outlet on a circuit different from that to which the receiver is connected.
- Consult the dealer or an experienced radio/TV technician for help.

To maintain compliance with FCC's RF Exposure guidelines, This equipment should be installed and operated with minimum distance between 20cm the radiator your body: Use only the supplied antenna.