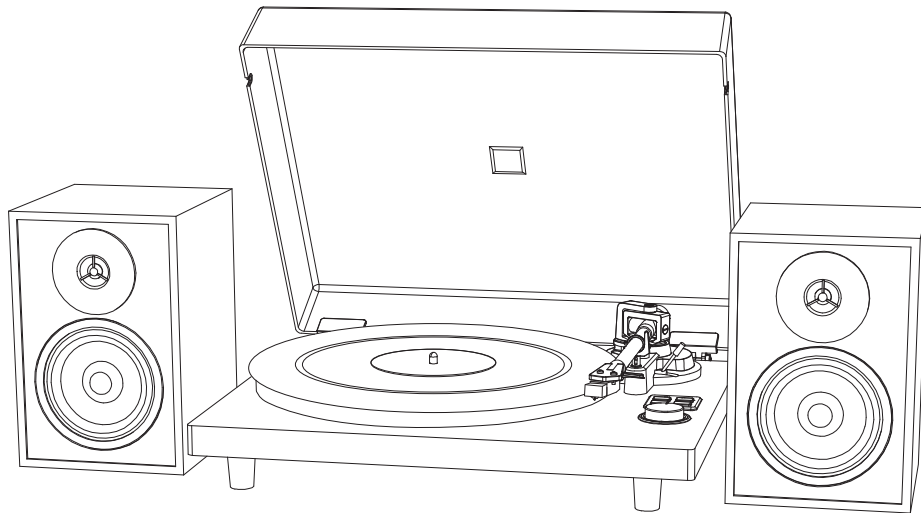


User Manual

Wooden Bluetooth Turntable Converter



Read their structions carefully before use and store in a safe place for future reference

Safety Precautions

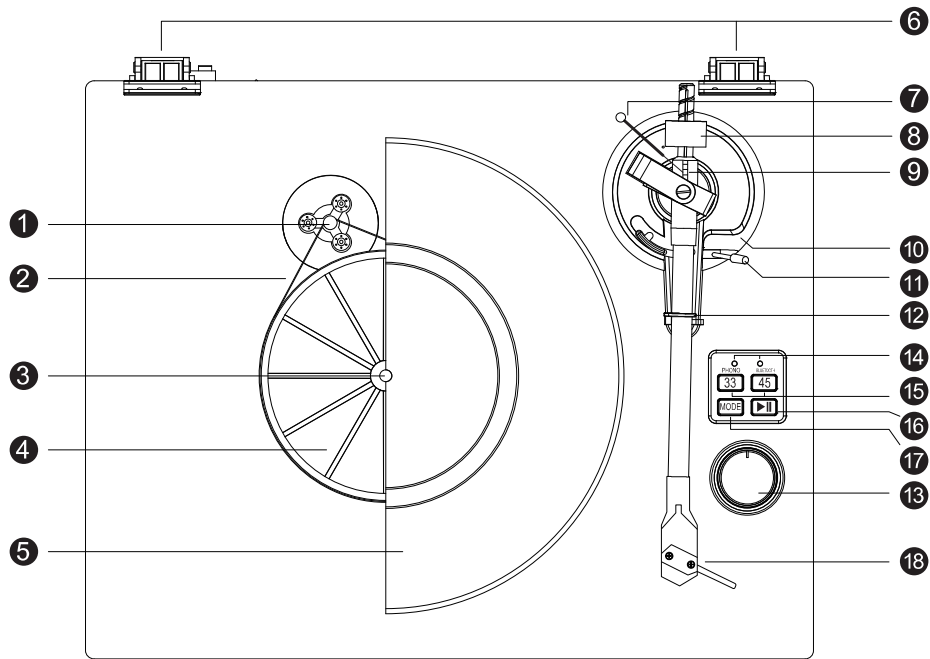
- . Please follow the instructions when using the product.
- . Please ensure that the power voltage is within the specified safe range of the product.
- . Do not modify the power plug of this product in any way. If the plug is incompatible with your socket, please consult a professional electrician.
- . Do not pull, bend, tread, or crush the power cord.
- . Please assemble this product according to the instructions and do not place any items on it.
- . Please avoid any objects or liquid falling into the device in case of short circuit and machinery breakdown. Worse still, it may lead to fire or electric shock.
- . Do not modify the product by yourself as it may cause irreversible damage. If a malfunction occurs, please contact professional repair worker.
- . Select accessories for replacement through legitimate channels and do not use any substandard accessories.
- . Do not place this product near any high-temperature places or fire sources, and avoid rain, moisture, and splashing water.
- . Please place the product on a stable surface, and avoid overturning or bumping it in case of damage during transportation.
- . Do not block or cover the machine's slots and openings, keeping it in a ventilative environment to ensure stable heat dissipation and operation.
- . If the product is not in use for a long time or there are extreme weather conditions such as thunderstorms happening , please unplug the power cord.

Packaging List

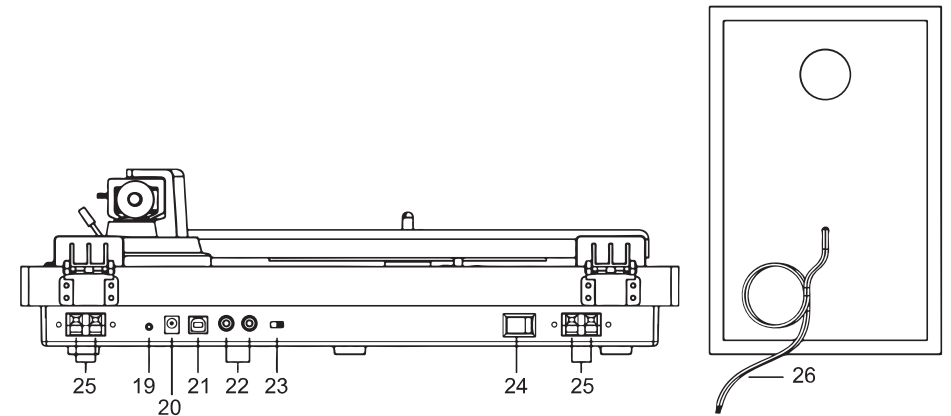
Before installation, please check that the following components are included and undamaged. Keep the original packaging for return or exchange.

- | | |
|--------------------------|-----------------------------------|
| 1.Turntable Unit | 8.Anti-skating Weight |
| 2. Speakers x2 | 9.45 PRM Adapter |
| 3. Dust Cover | 10.Drive Belt |
| 4. Anti-slip Mat | 11.Belt Hook |
| 5. Main Platter | 12.Power Adapter |
| 6. Sub-platter | 13.USB Cable |
| 7. Tonearm Counterweight | 14.Audio Cables for Speakers |
| | 15.Cartridge Alignment Protractor |
| | 16.User Manual |

Component Description



- | | |
|--------------------------|---------------------------|
| 1. Motor Pulley | 10. Tonearm Lift Base |
| 2. Drive Belt | 11. Tonearm Lift Lever |
| 3. Turntable Spindle | 12. Tonearm Rest and Lock |
| 4. Sub- platter | 13. Volume Knob |
| 5. Main Platter | 14. Indicator |
| 6. Lid Hinge | 15. 33/45 RPM Selector |
| 7. Anti-skating Weight | 16. Start/Pause Button |
| 8. Tonearm Counterweight | 17. Mode button |
| 9. Anti-skating Stick | 18. Stylus Cartridge |

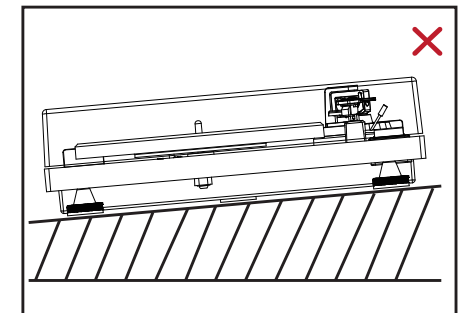
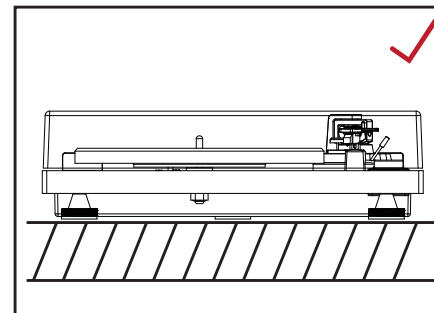


- | | |
|----------------------------|--|
| 19. Ground Connector | 23. Phono & Line Out switch (without/with pre-amplifier) |
| 20. Power Cord Jack | 24. Power Switch |
| 21. USB Port for PC Link | 25. External Speaker Jacks |
| 22. Phono & Line Out Jacks | 26. Speaker Jack (Black- & Red +) |

Installing the Turntable

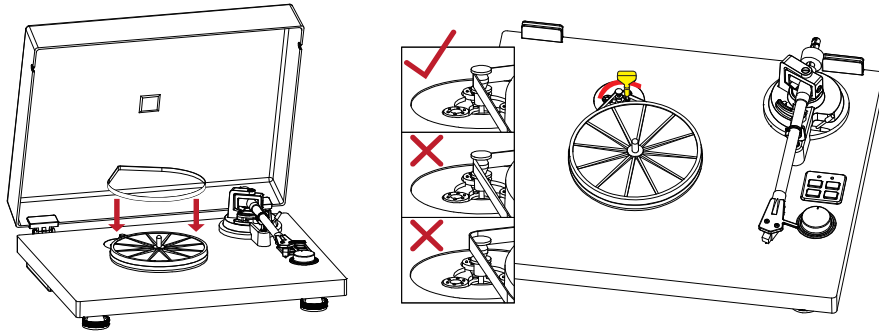
- .Mount the turntable on a sturdy and level surface.
- .Avoid placing the machine in a location that is subject to any vibrations from speakers or slamming of doors or other items.
- .Keep the machine away from electrical devices (such as televisions, hair dryers, or fluorescent lights) to prevent potential interference or noise.
- .Make sure the machine is away from electronic devices that may emit radio waves or electromagnetic noise.
- .Do not let the machine exposed to direct sunlight, extreme temperature conditions, excessive dust, and moisture.

Note: Do not power on before the assembly are finished.

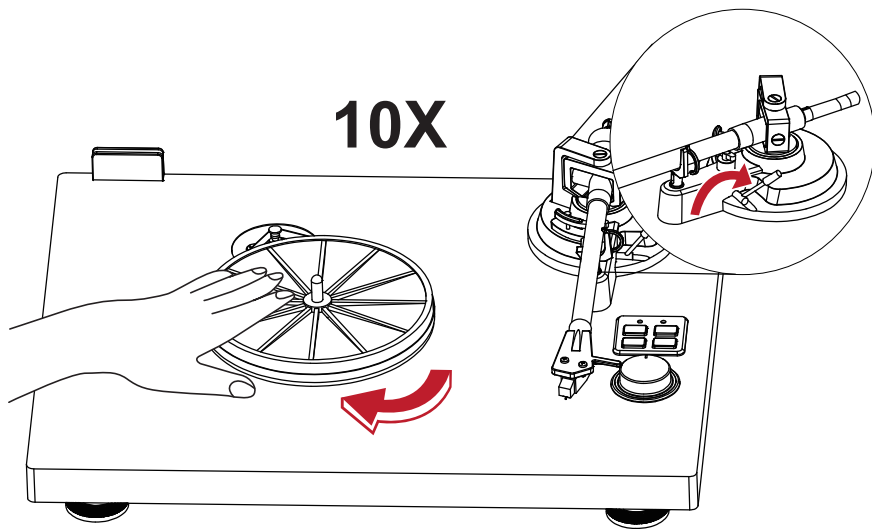


Installing Turntable Platter and Drive Belt

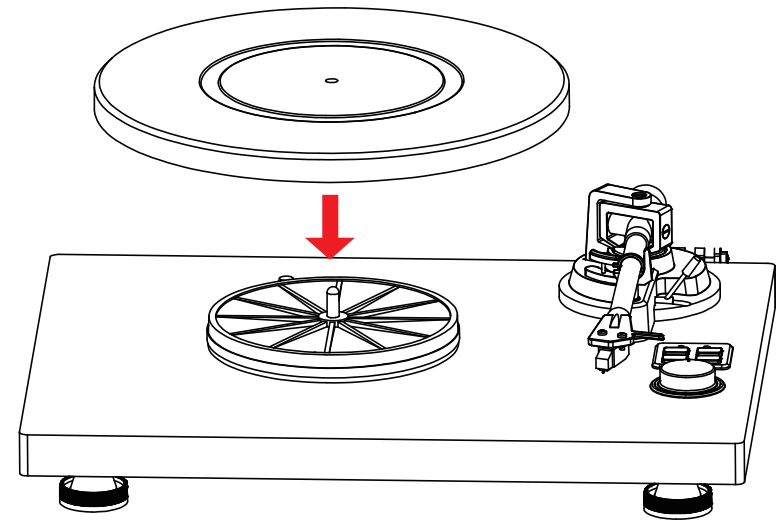
1. Align the spindle of the platter with the round hole on the turntable and place the sub-platter on top.
2. Loop the belt around the motor pulley and the sub-platter, ensuring it is set properly as shown in the diagram below and that the belt is not twisted.



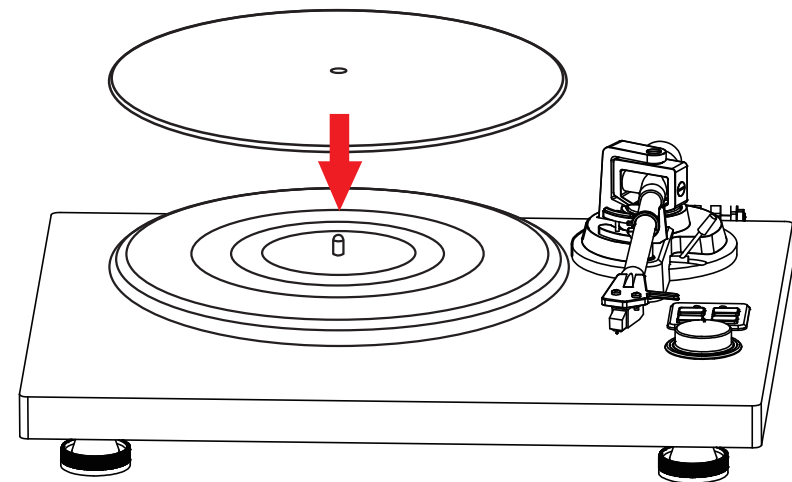
3. For the smooth operation of the turntable's drive mechanism, turn the sub-platter approximately 10 circles clockwise to check if the belt is twisted or detached.



4. Place the main platter on top of the sub platter carefully.

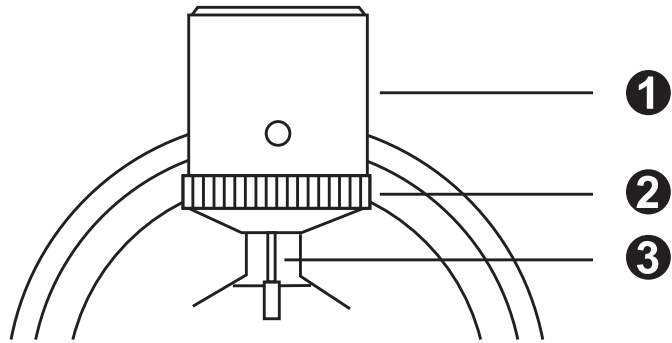


5. Place the anti-slip mat on the platter.



Adjusting the Tonearm Balance

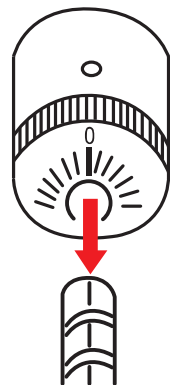
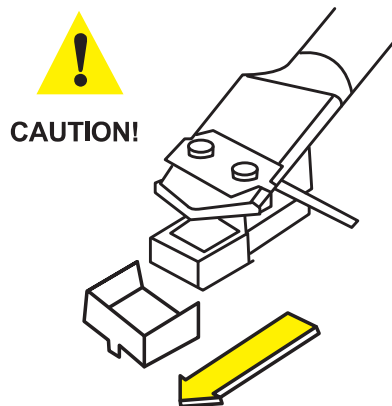
The counterweight included is suitable for cartridges with a tracking force between 3.0g-6g.



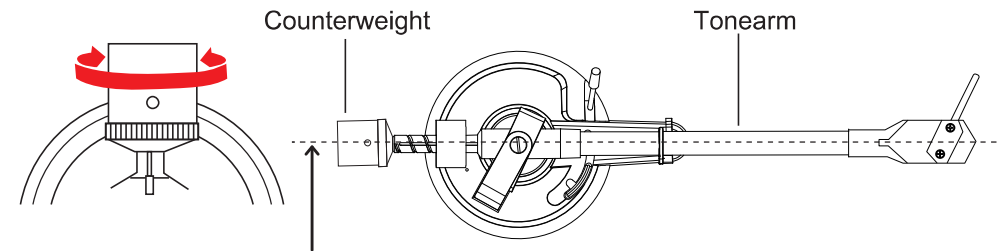
1. Counterweight 2. Tracking Force Dial 3. Center Line

1. Gently push and rotate the counterweight to install it at the end of the tonearm, with the dial line facing the turntable.
2. Carefully remove the protector from the stylus outwards in the horizontal direction.

Tip: Applying a downward force may cause the stylus to fall off. Only low volume outputs if the stylus falls off or becomes loose; in this case, please refer to the “Replacing the Stylus” section of the manual for proper installation of the stylus.



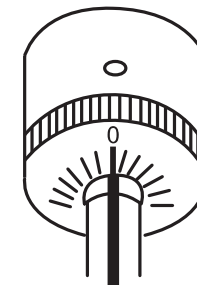
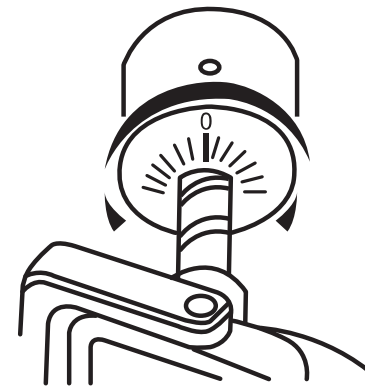
3. Remove the packaging unit for fixing from the tonearm and unlock the tonearm on the tonearm rest.
4. Lower the tonearm lift lever and move the tonearm to the middle of the rest and the turntable.
5. Adjust the counterweight until it comes to a balanced state in the horizontal direction. When the counterweight is in a balanced state, if it is touched, it will automatically come back to balance after a slight movement.



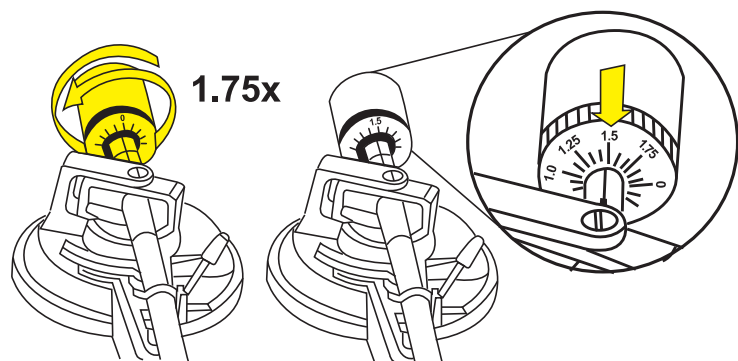
Adjust the counterweight until the tonearm is horizontally balanced.

Set Cartridge Tracking Force

1. After the tonearm is horizontally balanced, move it back into the rest and lock it. Then, with one hand holding and not moving the counterweight, another hand rotates the tracking force dial until the “0” is line with the center line on the tonearm pivot.
2. After completing all the above steps, unlock the tonearm. Observe the tonearm to confirm that it remains a horizontally balanced state.



3. Finally, rotate the counterweight counterclockwise (as seen from the front) until the recommended tracking force for the equipped cartridge is reached.

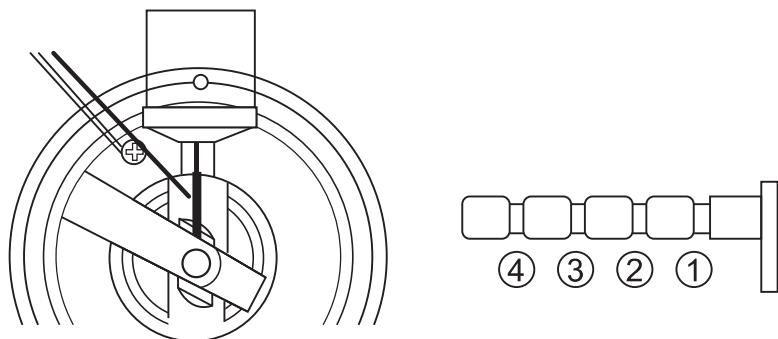


Note: Each mark on the dial represents 0.05g. The recommended tracking force for the included cartridge is 3.5g (with a tolerance of +/- 0.5g). The cartridge tracking force only goes up to 2g for 1 rotation circle of the tracking force dial, so after the cartridge is finished rotating 1 circle, continue rotating it until the center line on the tonearm pivot is in line with the "1.5".

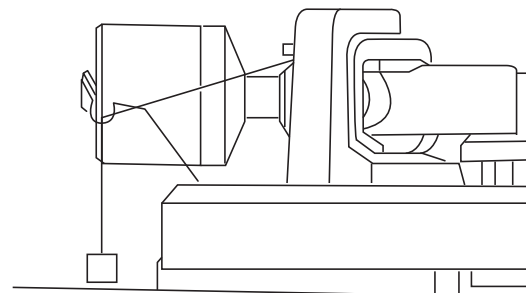
Installing the Anti-skating Weight

The anti-skating weight is used to counteract the negative effect of the skating force on the stylus to avoid wear and needle skipping. Please follow the steps below to set the anti-skating force for the factory-equipped cartridge.

1. Hoop the thread of the anti-skating weight around the pole's third groove.



2. Feed the thread through the hook.



Installing the Dust Cover.

1. Align the dust cover's hinge clasp with the hinge on the back of the turntable, and then push the dust cover in place.

Tip: To remove the dust cover from the turntable, first open the dust cover completely, then hold the two lower sides and last gently pull it out upwards.

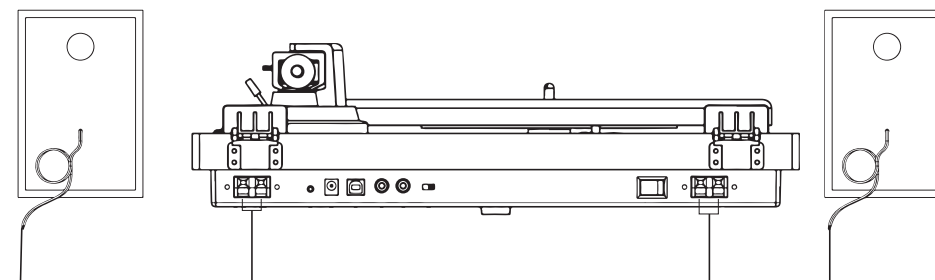
Connecting Audio Devices.

Note: _____

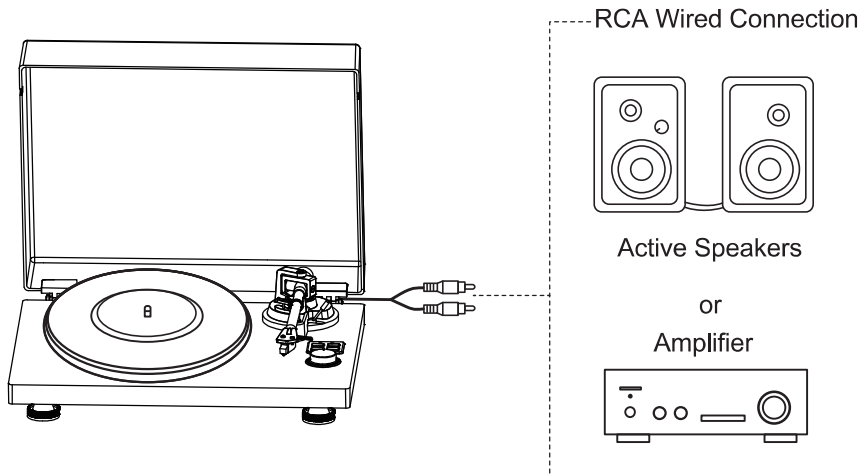
1. Make sure the power is switched off before connecting audio devices such as stereophonic system or amplifier.
2. Make sure that all connections are made before powering on.

1. Connecting the Included Speakers.

This product is equipped with a pair of HiFi passive speakers. Use the provided speaker cables to connect the turntable and the speakers (the red wire is for the red cable clamp and the black for the black cable clamp).



2.Connection to External Speaker with a RCA Audio Cable



2.1.Setting PHONO & LINE Selector Switch

The product has a built-in phono equalizer, with phono and line out. You can decide whether to use the built-in phono equalizer to play vinyl records.

Set the output via PHONO & LINE selector switch, as shown below.

Position of PHONO & LINE Selector Switch	Function
PHONO	without phono equalizer
L I N E	with phono equalizer

Note: When connecting via the included speakers, setting the PHONO & LINE Selector Switch is not necessary.

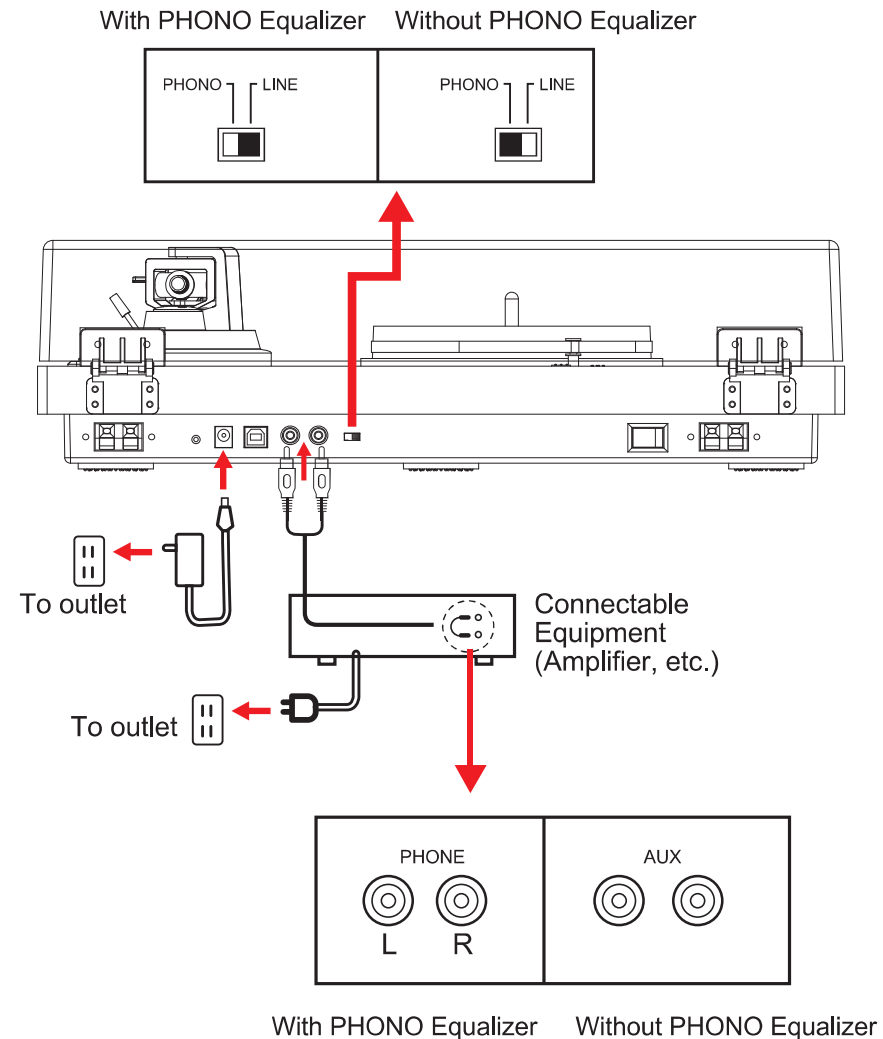
Tip:

1. There may be ground (earth) terminal near the PHONO input jack of audio equipment. Connecting it to the turntable with a ground wire can reduce playback noise.
2. On LINE mode, the audio output jacks are not designed to be connected directly to passive speakers. If they are connected, there will be no audio output.

2.2.Device Connecting

After the settings for PHONO & LINE Selector Switch, connect the RCA cable to the input jacks of your amplifier or active speakers compatible.

1. The RCA audio cable's red jack is for the right (R) channel and the white jack for the left (L) channel.
2. Make sure they are tightly connected, or there will be noise.




Power Connection

1.Insert the plug of the power adapter cord into the DC IN 15V jack at the back of the turntable.

2.Plug the power adapter into an outlet.

Note: Before turning on turntable power, recheck all connections to make sure they are correct and secure. Always turn off the turntable before connecting or disconnecting from power.

Power Management Function

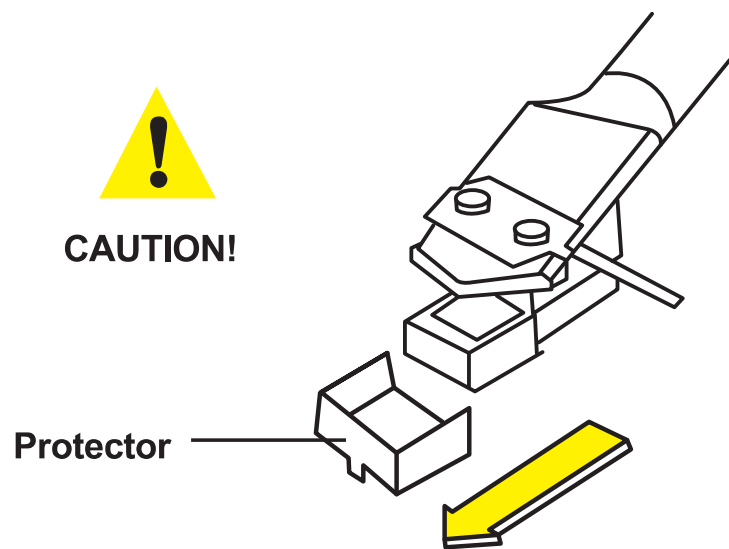
If the silent pause time between each track is longer than 3 minutes, the platter will automatically stop spinning to avoid damaging the record. Press the  button to restart the platter.

Playback

1.Before playing a record

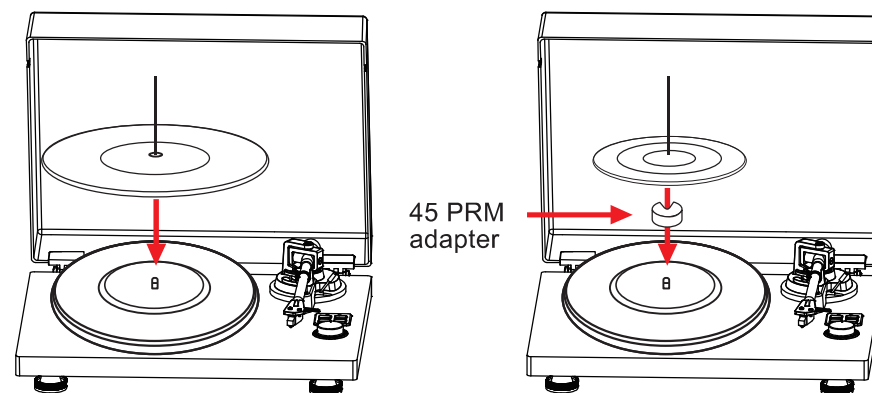
1.1.Remove the protector outwards in the horizontal direction.

Tip: Applying a downward force may cause the stylus to fall off. Only low volume outputs if the stylus falls off or becomes loose; in this case, please refer to the “Replacing the Stylus” section of the manual for proper installation of the stylus.



Protector

1.2.Place the record on the anti-slip mat so that the center hole is aligned with the spindle. If playing a 45 PRM record, place a 45 PRM adapter first.



2.Turntable Operation

Note:

Before playing a record, remember to turn down the volume of the connected audio equipment (amplifier, speakers, etc.) to avoid huge cracking sound. This noise produced by the stylus’s contact with the record may damage audio equipment, so it is supposed to turn up the volume after the stylus completely placed on the vinyl record.

2.1.Connect the turntable to power with the included power adapter, and then slide the power switch to the “ON” position.

2.2.Remove the protector from the stylus carefully.

2.3.Press the Mode button to go into turntable mode. Red indicator light indicates turntable mode and the blue indicates Bluetooth mode.

2.4.Place the record on the anti-slip mat. If playing a 45 PRM record, put a 45 PRM adapter on the spindle first. (Note: no more than 1 vinyl record each time)

2.5.Press the 33 or 45 RPM speed button according to the type of record.

(Note: Speed value is often printed on vinyl records or central labels of record seal.)

2.6.Press the Play/Pause button. The platter will start spinning.

2.7.Unlock the tonearm and set the tonearm lift lever to the up position.

2.8.Position the tonearm over the desired location (groove) on the record. (Note: gently hold the cartridge shell to move the tonearm.)

2.9.Lower the tonearm lift lever. The tonearm will be down slowly and the record start to play.

2.10.Turn up the volume of the turntable as needed.

2.11.When you are finished playing the record, raise the tonearm with the tonearm lift lever, put it back to the rest and lock it. Press the Play/Pause button for the platter to stop spinning.

Note: _____

1.Dust accumulates easily on the anti-slip mat and damages the record, so remove the mat from the turntable for a periodical clean.

2.To prevent the record from being scratched or warped, remove and take card of it after use.

3.Using the tonearm lift lever can ensure a fluent playback and avoid record scratches at the same time.

4.A disk stabilizer is not recommended.

Bluetooth Operation

1.Connect the turntable to power with the included power adapter, and then slide the power switch to the “ON” position.

2.Press the Mode button to go into Bluetooth mode. The Red indicator light indicates turntable mode and the blue indicates Bluetooth mode.

3.Open the Bluetooth function of another media device. Search for and click “Turntable” to pair the media device and the turntable.

4.After successful pairing, the quickly flashing Bluetooth indicator light will stay long on.

5.Play music from another media device on the turntable.

Recording from the Turntable to your Computer

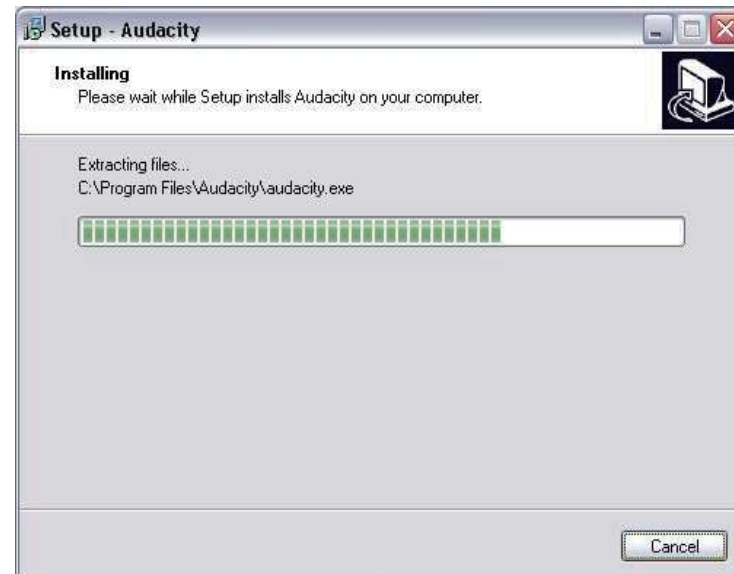
Audacity software download link: <https://audacity.onl/download/>

Installing the software

Place the supplied CD into the drive of your computer, follow the instructions and the software will automatically install as follows:



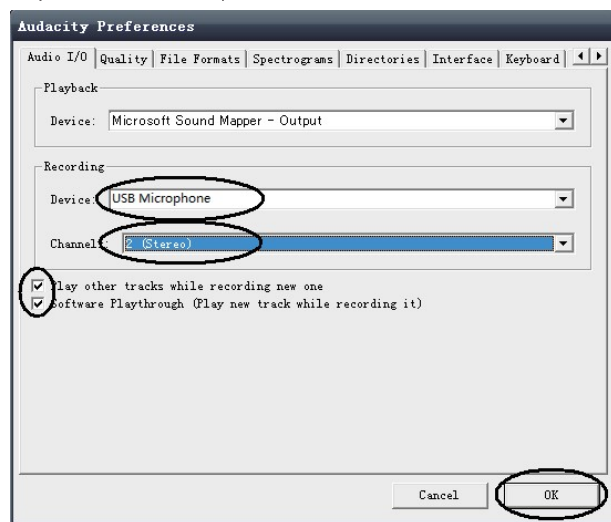
Click“Next”:



The software will start to install:



1. Click on "Finish" to complete the installation:
2. Audacity should automatically start up, if not follow the next sequence:
3. The Audacity icon will now be seen on the desk top, double click on it to start Audacity running, if an icon does not appear, go to the "C" drive under "My Computer", click on "Program files" and then "Audacity". Right click on the "orange ball wearing Headphones" icon and select "Send to" then "Desktop (create short cut)".




Using Audacity

1. Plug the USB cable into the back of the unit and the other end into a spare USB port on your computer.
2. Insert the mains plug into the nearest mains socket and switch on if applicable.
3. Run the Audacity software by double clicking the Audacity icon.
4. Before recording, click on Edit at the top of the main page; Select preferences at the bottom of the menu which will open up Preferences.
5. At the recording part of the window open the Device menu by using the down arrow on the right handside. Select the USB Microphone option from the menu. Also tick the box next to "Software Play through (Play new track while recodingit)".
6. The lower box enables the number of recording channels to be set, 1 is Mono and 2 is Stereo, select the Stereo option.
7. Click "OK" once the options have been selected:

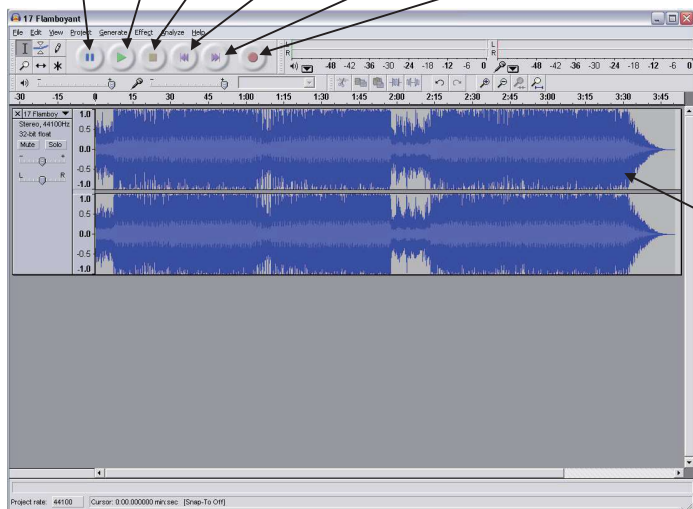
Playing a record

1. This turntable player operates by USB power from PC.
2. Raise the lid and push it back far enough until it stays upright.
3. Switch on the unit by switching the power switch
4. Release the Security latch from the tone arm by moving it to the right.
5. Place the record to be played on the turntable.
6. Select the correct playing speed for the record (33, 45 or 78 rpm) using the
7. Speed control switch on the top right side of the unit.
8. Moving the arm from its rest will start the turntable rotating.
9. At the end of the record, the Turntable will automatically stop rotating.

Recording to computer using Audacity

1. Start the record playing as described above, and press Record  at the top of the Audacity window to start recording to the computer.
2. Once recorded use the Transport controls at the top of the screen to, Go to start, Play, Record, Pause, Stop and Go to end of Wave form as below:

Pause-Play-Stop-Go toStart-Go toEnd-Record



1. Use the file, Edit, View, Project, Generate, Effect and Analyse menus to Save, Export and Manipulate your music.
2. If the recording level requires adjustment, click on "START", "SETTINGS" and select control panel. Under Control Panel select "SOUNDS and AUDIO DEVICES", click on the "VOLUME" tab and select "ADVANCED".
3. On the Master volume window select options at the top left hand corner, click on properties in the drop down menu.
4. In the Properties window select "USB Microphone" from the drop down menu at the top. Click on "OK" to confirm the selection and a window will now appear with a control for the recording level. Move this control up if the recording is too quiet and down if the recording is too loud.
5. **NOTE:** the blue wave form should sit in the Audacity window such that the peaks of it stop short of the top and bottom.
6. Before editing your music, the recorded wave form will need to be high lighted.
7. To high light your wave form, click with the left mouse button on the left hand side of the wave form (under the L+R controls) and the wave form will go darker.
8. At this point the whole wave form can be edited. However if only a section of the wave form needs to be edited (or saved) the section required can be high lighted by placing the mouse over the beginning of the section holding the left button down and dragging it right over the area required and releasing it when the end of the desired section is reached. This darkened section will now be the only audio that will be edited.

9. Alternatively click on the EDIT menu at the top left and then click on SELECT then choose from: All(whole wave form), Start to Cursor or Cursor to end.
10. **NOTE:** after recording to the Computer, the USB cable may have to be removed from the USB port in order to enable play back later from the Computer.

Exporting your music files(.WAV)

1. Once you have recorded and edited your music, you will need to save your files to the computer. To do this, click on file and move down to Export as WAV tab.
2. Click on this and you will promptly be asked for the file name of the music recorded which will be saved in the location shown. At this point either make a note of the folder where your music is saved or save it in a folder of your choice.
3. This can either be an existing one or a new folder.

Exporting your music files(.Mp3)

1. Once you have recorded and edited your music, you will need to save your files to the computer. To do this click on file and move down to Export as Mp3 tab.
2. Click on this and you will promptly be asked for the file name of the music recorded which will be saved in the location shown. At this point either make a note of the folder where your music is saved or save it in a folder of your choice.
3. This can be either be an existing one or a new folder.
4. **NOTE:** In order to activate the Export to Mp3 feature, it will be necessary to copy a file named lame_enc. Dll from the installation CD and paste it in the AUDACITY folder that contains the software on the hard drive that was copied earlier from the CD. The software will automatically detect this file and exporting as an mp3 will now be possible.



CAUTION:

Usage of controls or adjustments or performance of procedures other than those specified here in may result in hazardous radiation exposure. This unit should not be adjusted or repaired by anyone except qualified service personnel.

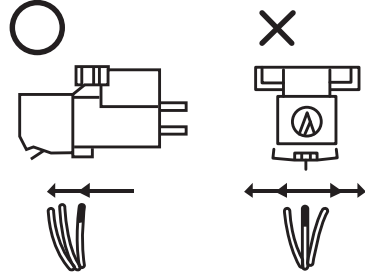
Care

Cleaning Turntable Body

- When the turntable body is dirty or dusty, first disconnect the AC adapter and then wipe off the dirt and dust with a soft, dry cloth.
- If there is mud that's difficult to wipe off, try to wet the cloth with a mild cleaner. Do not use any chemical solvents, such as alcohol, gasoline or coating diluent, which may damage the machine surface.
- When it is not in use for a long time, disconnect the AC adapter, wrap the product and keep it in a dry place; at the same time, the drive belt should be removed to prevent affecting its life due to unequal stretching.

Cleaning the Stylus

- When dirt or dust sticks to the stylus, use a soft brush to clean it. It is recommended to use a stylus cleaner (not included). Remember to clean the stylus by moving the brush from the rear to the front.

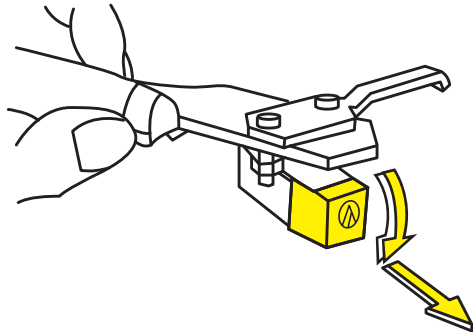


Replacing the Stylus

It's suggested to replace the stylus after 400 hours of use.

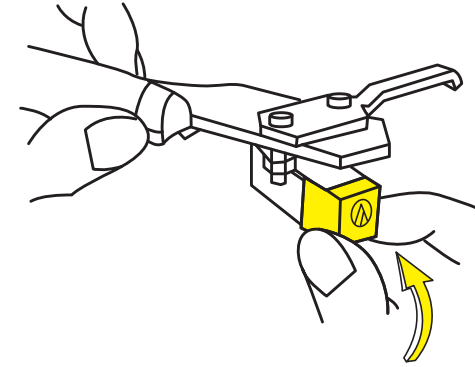
Removing the Stylus

- In addition to the deterioration of sound quality, records may also be damaged as the cartridge's stylus tip wears down.
- Be sure to disconnect the product's AC adapter from the outlet.
- To replace the stylus, with one hand holding the cartridge body, another hand grasps both sides of the stylus, applying it a downward and then straightforward force.

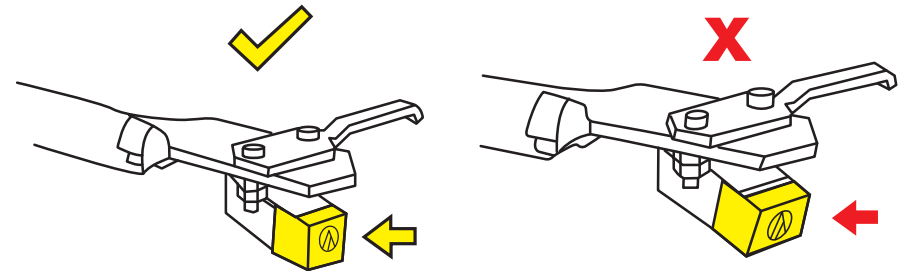


Installing a New Stylus

1. Embed the protruding part of the stylus base into the groove at the end of the cartridge.
2. Push the stylus up until it clicks into place.



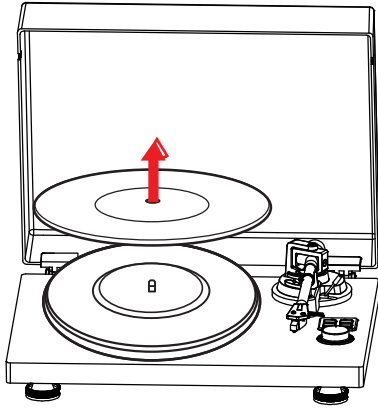
3. Ensure there is no gap between the headshell and the cartridge.



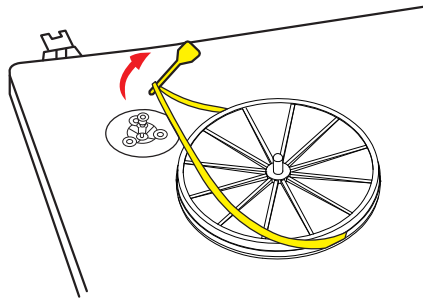
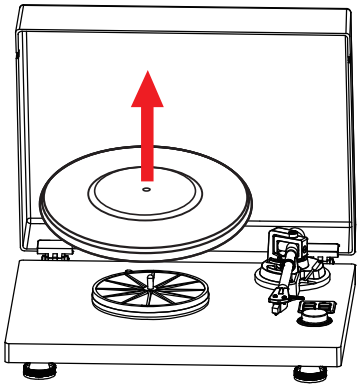
Replacing the Drive Belt

- The drive belt is a consumable item. It may wear out or break over time. Replace the drive belt if the speed of playback slows down or irregular rotation occurs. As a rule of thumb, we suggest replacing the belt once a year.
- Before replacing the drive belt, be sure to disconnect the product's AC adapter from the outlet.

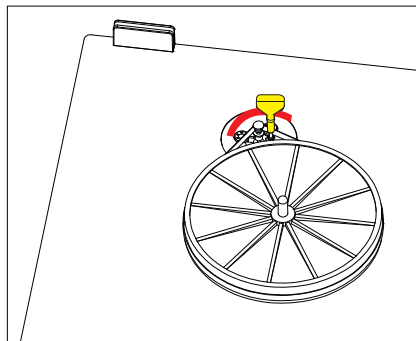
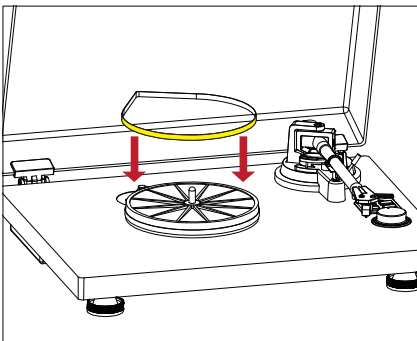
1. Remove the anti-slip pad.



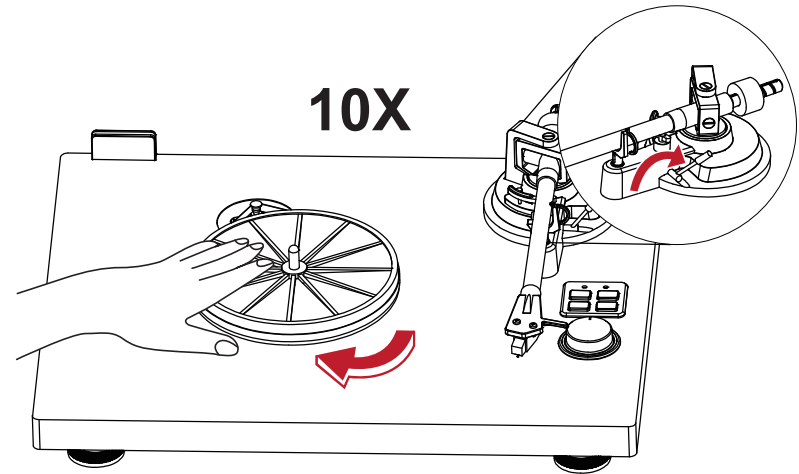
2. Remove the main platter and the old drive belt.



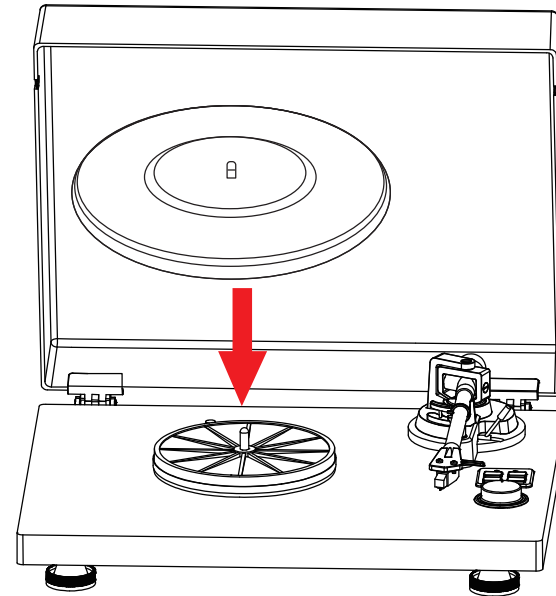
3. Install the new drive belt, looping it correctly on the motor pulley and sub-platter.



4. Slowly rotate the sub-platter clockwise manually for about 10 circles to check if the belt is twisted or detached.



5. Place the main platter back above the sub-platter.



Replacing the cartridge

1. Before replacing the cartridge, place the stylus protector back on the stylus to prevent damage during replacement.
2. Remove the wires behind the original cartridge carefully.
3. Loosen the two screws securing the cartridge to the headshell, and then remove the original cartridge.
4. Install the new cartridge into the cartridge headshell and tighten the screws gently, but not fully at this step.
5. Connect the wires to the new cartridge. Please note the correct connection interface, as shown below:

Wire	Channel
White	Left channel positive (L +)
Black	Left channel negative (L -)
Red	Right channel positive (R +)
Black	Right channel negative (R-)

6. Adjust the position of the cartridge to ensure that it is precisely aligned so that the stylus tracks parallel to the record groove. To achieve this, follow the process: put the included cartridge alignment protractor on the turntable spindle, lift the tonearm carefully and place the pointed ends of the stylus on 130mm and 150mm marking points respectively. Slightly adjust the position of the cartridge headshell until the cartridge is perfectly parallel to the two-point reference line.

7. Fully tighten the screws after achieving the optimal alignment.

NOTE: If the process above is unfamiliar or you are unsatisfied with the aligning result, we suggest consulting professionals for installation.

Advice on Moving the Turntable

If you still keep the original packaging materials, pack it as it was. If not, it is recommended to do as follows:

- After disconnecting the power adapter from the outlet, remove the anti-slip mat and the platter, and then wrap them to prevent damage.
- Close the stylus protector.
- Secure the tonearm to the rest with string or other bindings to prevent it from falling off during movement.
- Wrap the main body of the turntable in paper or soft cloth to avoid damage.

Trouble Shooting

Problem	Solution
The platter does not spin.	<ul style="list-style-type: none"> •Is the AC adapter connected to the outlet? - Connect the AC adapter to the outlet correctly. •Is the turntable turned on? - Please follow the user manual to turn it on correctly, Turn on the turntable after power on. •What's the status of the indicator light? - The indicator is blue. That means the record player is in Bluetooth mode. In this case, press the Mode button to switch to Turntable mode. In Turntable mode, the indicator light will be red. •Has the drive belt been detached or been damaged? - Check the drive belt is installed correctly. •Is the motor working? - If installation and operation are all correct, remove the platter and check if the motor pulley is spinning.
The platter is spinning, but there is no sound or the volume is not loud enough.	<ul style="list-style-type: none"> •Is the stylus damaged? - Check the stylus and replace it, if necessary. It is suggested to replace the stylus every 400 hours of use. •Is the stylus properly installed on the cartridge base? - Check whether the stylus and the cartridge are installed correctly. •Are the circuit connections and function settings incorrect? - Make sure that the PHONO/LINE selector switch on the turntable matches the type of input jack on the audio equipment to which the turntable is connected. - Check the circuit connections between the turntable and the audio device, as well as the device's function and volume settings.
Skipping Stylus	<ul style="list-style-type: none"> Is the vinyl record bent? - Check the vinyl record. •There is dust or scratches on the vinyl record. - Wipe the surface with vinyl cleaning products or replace the vinyl record. •Is the tracking force set correctly? - Refer to the user manual for tracking force adjustment.
There is howling sound.	<ul style="list-style-type: none"> •Is the product picking up excessive vibrations from the surfaces of floors and walls or nearby speakers? - Decrease vibrations or mount the product on a surface that is not subject to the effects of vibrations. •Is the product mounted on an unstable surface? - Check whether the surface on which the product is mounted is suitable.

Problem	Solution
There is noise when the record is playing.	<ul style="list-style-type: none"> •Is there dust on the cartridge stylus tip? -Clean the stylus with a professional cleaning brush. If the stylus is worn out, replace it. •There is dust or scratches on the vinyl record. -Wipe the surface with vinyl cleaning products or replace the vinyl record. •Is the tracking force set correctly? - Refer to the user manual to adjust the tracking force.
Pitch up and down.	<ul style="list-style-type: none"> •Is the tracking force set correctly? - Refer to the user manual to adjust the tracking force . •The stylus is worn out? - Replace a new one.
The playback speed of vinyl is too fast or too slow.	<ul style="list-style-type: none"> •Are the speed settings for this record player correct? - Select the correct speed according to the type of record being played.
Playback speed slows down or there is irregular rotation.	<ul style="list-style-type: none"> •Is the belt installed correctly? - Refer to the user manual to reinstall the drive belt. •Is the drive belt stretched out? - Replace with a new belt.
Stylus isn't touching the vinyl record.	<ul style="list-style-type: none"> - Make sure the tracking force is adjusted correctly. - The tonearm is too high. Gently turn the screw on the tonearm lift base clockwise to lower the stylus.
Stylus is scratching the record's surface.	<ul style="list-style-type: none"> - Make sure the tracking force is adjusted correctly. - The tonearm is too low. Gently turn the screw on the tonearm lift base anticlockwise to raise the height of the stylus.

If you find that the vinyl record player is not functioning properly, please refer to the suggestions listed in the "Trouble Shooting" section to determine if repairs are needed. If these suggestions do not resolve the issue, please contact your dealer or visit the customer support website.

Specifications

Turntable

Power Adapter	AC100- 240V DC15V,3000mA
Power Consumption	70W
Turntable Speed	33 1/3, 45 RPM
Wow and Flutter	≤0.15%
Signal to Noise	65dB
Tracking Force Range	0-6.0g
Effective Tonearm Length	8.6" (218.5mm)
Dimensions (LxWxH)	Lid Closed:16.93" X 14.56" x 5.12" (43x37x 13cm) Lid Open:16.93" x14.56" x14.56" (43x37x 37cm)
Weight	(5kg)

Stylus

Model	Audio-Technica AT3600
Frequency Response	20Hz - 20kHz
Channel Balance	<2.5dB
Channel Separation	>18dB
Output Voltage	2.5mV
Recommended Load Resistance	47kQ
Amplifier Connection	MM (Moving Magnet) - input
Recommended Tracking Force	3.5+0.5g
Weight	0.180z (5.1g)

Speaker

Output Power	18W*2
Speaker Units	Woofer: 4" Tweeter: 3"
Impedance	4Q
Frequency Response	50Hz- 20KHz
Dimensions	5.9"x6.77"x9.08" (15x 17.2x 23cm)
Weight	7.92lbs (3.6kg)



At the end of its life, the device has to be separated from the other waste. Consign the device and all its components together to a center of electronical and electrotechnical waste recycling center, designated by your local authorities

FCC Warning:

This equipment has been tested and found to comply with the limits for a Class B digital device, pursuant to part 15 of the FCC Rules. These limits are designed to provide reasonable protection against harmful interference in a residential installation. This equipment generates, uses and can radiate radio frequency energy and, if not installed and used in accordance with the instructions, may cause harmful interference to radio communications. However, there is no guarantee that interference will not occur in a particular installation. If this equipment does cause harmful interference to radio or television reception, which can be determined by turning the equipment off and on, the user is encouraged to try to correct the interference by one or more of the following measures:

- Reorient or relocate the receiving antenna.
- Increase the separation between the equipment and receiver.
- Connect the equipment into an outlet on a circuit different from that to which the receiver is connected.
- Consult the dealer or an experienced radio/TV technician for help.

Caution: Any changes or modifications to this device not explicitly approved by manufacturer could void your authority to operate this equipment.

This device complies with part 15 of the FCC Rules. Operation is subject to the following two conditions:

(1) This device may not cause harmful interference, and (2) this device must accept any interference received, including interference that may cause undesired operation.

The device has evaluated to meet general RF exposure requirement.
The device can be used in portable exposure without restriction.

Customer Service:

✉ Email: orderwarranty@hotmail.com

☎ Tel.: +1 6264203417(US) Mon-Fri 9:00-17:00(PST)

📍 148 s 8th ave city of industry CA91746 **MADE IN CHINA**
