

nooie

Nooie Pet Feeder

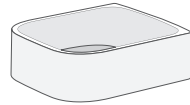
In the Box



1 × Wi-Fi Automatic Feeder



1 × User Manual



1 × Stainless Steel Bowl



1 × Desiccant Bag



1 × 5V/1A Power Adapter

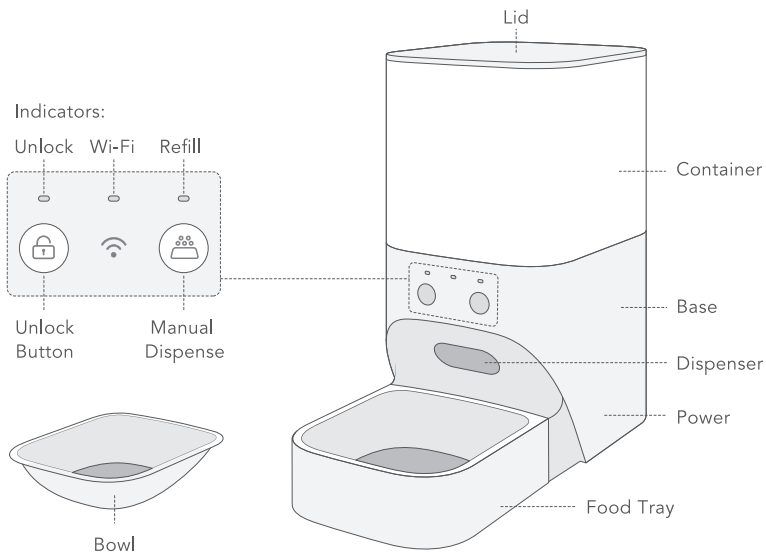
App Setup

1. Download the Nooie App and create an account.
2. Open the App, tap on "Add Device" and choose Nooie Pet Feeder.
3. Follow the instructions in the App and connect the device to the internet.




Note: 5GHz network is not supported.




Product Overview



Wi-Fi Indicator

-  **Flashing Slowly**
Ready to connect.
-  **Flashing Rapidly**
Connection in progress.
-  **Steady**
Connected and working.

Refill Indicator:

-  **Steady**
Not enough food.

Manual Dispense

1. Press and hold the unlock button until the unlock indicator turns on.
2. Press the manual dispense button.

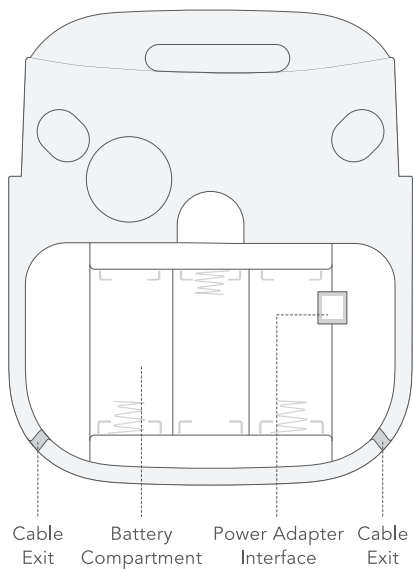
* Feeder will automatically lock again after 1 minute, and the unlock indicator will go out.

Reset

Press and hold the unlock and manual dispense buttons together until the Wi-Fi indicator blinks slowly.

Connecting to Power

1. Open the battery compartment at the bottom of the feeder.
2. Insert the power adapter cord into the power adapter interface.



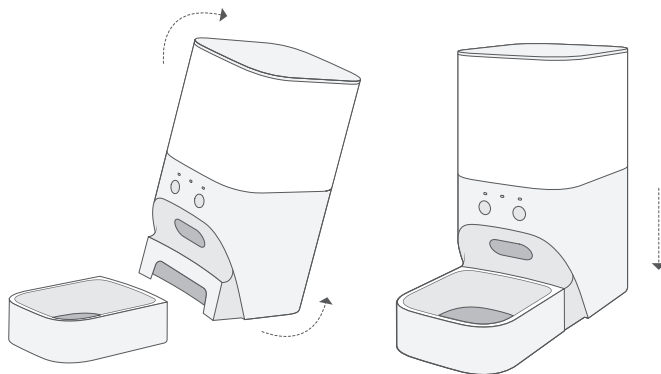
Tip:

Use 3 D batteries (NOT included) as backup power.

Do not use rechargeable batteries.

Assembling Food Tray

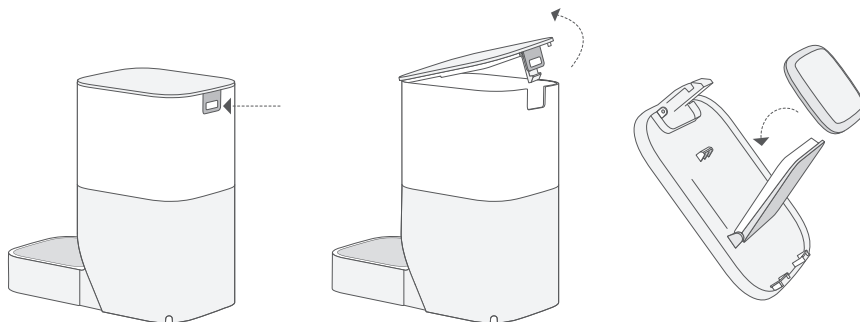
Tilt-up the main unit to insert the food tray, and press down to secure it in place.



Adding Food

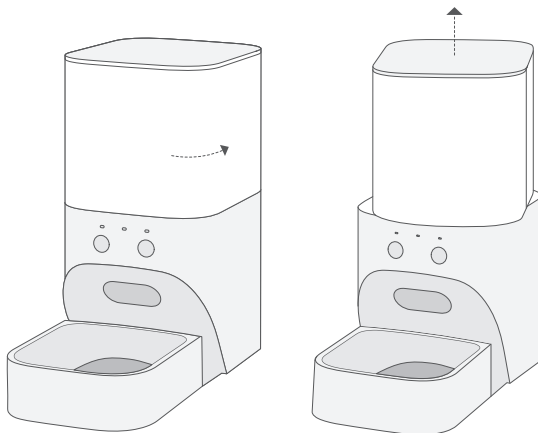
1. Press and hold the container button to lift the lid.
2. Place the desiccant bag inside of the lid holder and close it tight.
3. Insert dry pet food and close the lid.

Note: The dispensing unit will auto-calibrate consistent portion sizes after initial use.

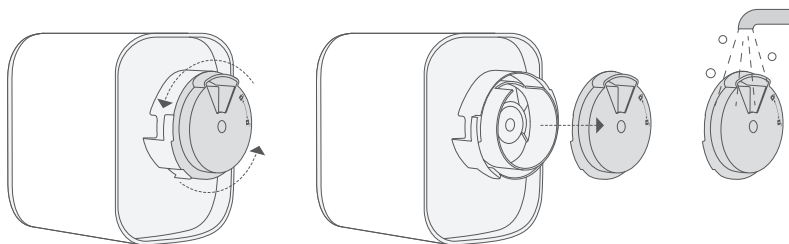


Cleaning Instructions

1. Unplug the unit.
2. Rotate the food container counterclockwise and lift up.



3. Turn the food container over, rotate the funnel counterclockwise to extract and clean.



Caution

- For dry pet food storage only.
- Do not use outdoors.
- Keep out of reach of children.
- Do not store items on the feeder.
- Avoid electrical hazard, do not submerge base unit in water.
- Disconnect unit before disassembly for cleaning.
- Unauthorized accessories or modifications will void the warranty.
- Discard packaging carefully to avoid suffocation to children or pets.
- Do not allow pets to chew on or swallow any parts.
- For use with dogs and cats only.

Warranty Terms

1. 12-month limited warranty.
2. Receive timely customer service nooie.com/support
3. Lifetime technical support provided by Nooie.

Troubleshooting

“My device couldn't be paired...”

“My device keeps disconnecting...”

1. Ensure your home Wi-Fi is working properly and your phone is connected to it.
2. The feeder supports 2.4 GHz Wi-Fi only. Make sure you are in your Wi-Fi range and ensure the signal is good.
3. If the signal's weak, place the feeder next to your Wi-Fi router when pairing.
4. Reset the feeder and connect again.
5. The feeder supports Bluetooth connection as well. Make sure that your phone's Bluetooth is on and follow the Bluetooth pairing instructions in the App.
6. If the problem persists, please contact us via support@nooie.com

“Food won't dispense...”

1. Please be sure to fill the container with dry food per sizing guide:
2-15mm / 0.07-0.6 inches in diameter.
2. Check whether any foreign objects are placed in the container.
3. Check whether the battery level is low and the power adapter is connected.

Customer Care

Hey, did we forget something?

Check out the FAQ on our website: nooie.com/support

Want to give us a shout out?

Tag us with #nooie on social media.



FCC Statement

This device complies with part 15 of the FCC Rules. Operation is subject to the following two conditions:

- This device may not cause harmful interference.
- This device must accept any interference received, including interference that may cause undesired operation.

NOTE: This equipment has been tested and found to comply with the limits for a Class B digital device, pursuant to part 15 of the FCC Rules. These limits are designed to provide reasonable protection against harmful interference in a residential installation. This equipment generates, uses and can radiate radio frequency energy and, if not installed and used in accordance with the instructions, may cause harmful interference to radio communications. However; there is no guarantee that interference will not occur in a particular installation. If this equipment does cause harmful interference to radio or television reception, which can be determined by turning the equipment off and on, the user is encouraged to try to correct the interference by one or more of the following measures:

- Reorient or relocate the receiving antenna.
- Increase the separation between the equipment and receiver.
- Connect the equipment into an outlet on a circuit different from that to which the receiver is connected.
- Consult the dealer or an experienced radio/TV technician for help.

CAUTION: To comply with the limits of the Class B digital device, pursuant to Part 15 of the FCC Rules, this device is to comply with Class B limits.

Changes or modifications not expressly approved by the party responsible for compliance could void the user's authority to operate the equipment.

RF Exposure Statement

To maintain compliance with FCC's RF Exposure guidelines, This equipment should be installed and operated with minimum distance of 20cm the radiator your body. This device and its antenna(s) must not be co-located or operation in conjunction with any other antenna or transmitter.



Designed in USA
Made in China

本页不印刷，
仅供排版示意

封面	1	2	3	4
----	---	---	---	---

封底	5	6	7	8
----	---	---	---	---

纸质: 100g 金太阳双胶(雾面)

装订方式: 风琴折

成品尺寸: 133 mm x 166 mm

背景颜色: ■ RGB: #454755 CMYK: C:71 M:65 Y:48 K:34

备注: 折痕不印刷