

# UHF

Professional Wireless Microphone

Professional Wireless Microphone

All Right Reserved

①

## Content List

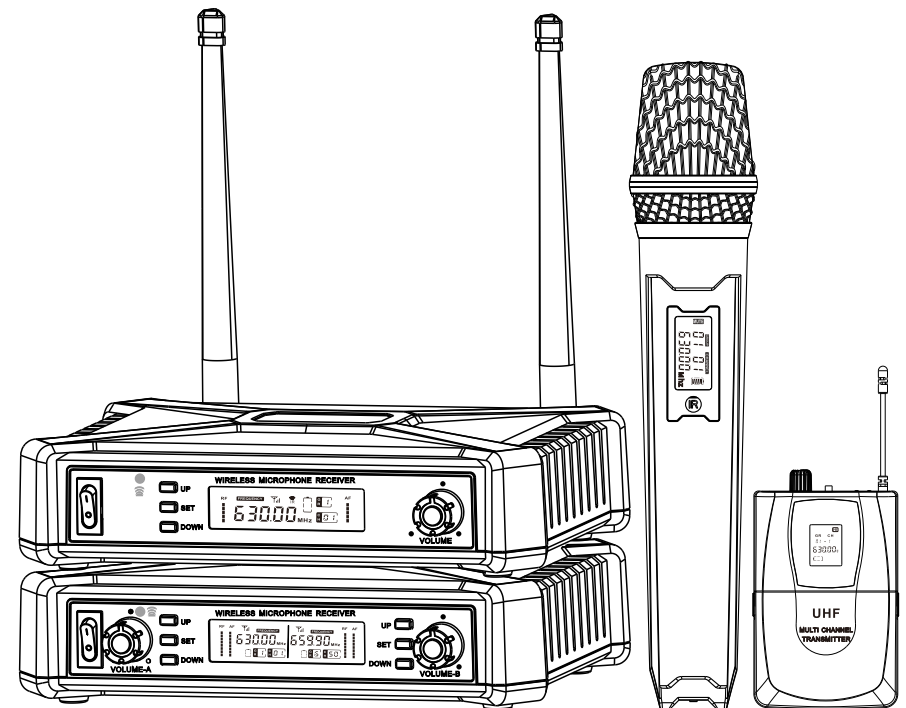
- 1. Receiver ..... X1
- 2. Handheld Mic ..... X1
- 3. 1.5VAA Battery ..... X2
- 4. Power Adapter ..... X1
- 5. Audio Cable ..... X1
- 6. Manual ..... X1

②

## Content List

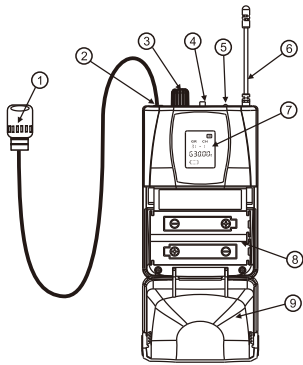
- 1. Receiver ..... X1
- 2. Handheld Mic ..... X2
- 3. 1.5VAA Battery ..... X4
- 4. Power Adapter ..... X1
- 5. Audio Cable ..... X1
- 6. Manual ..... X1

## Operating Manual



Please read this manual carefully before use.

## 7、 BODY-PACK TRANSMITTER (OPTIONAL)



- 1、 MICROPHONE
- 2、 INPUT SOCKET
- 3、 - VOL +
- 4、 ON/OFF
- 5、 POWER INDICATOR
- 6、 ANTENNA
- 7、 LED DISPLAY
- 8、 BATTERY SINK
- 9、 BATTERY COVER

## 8、 TECHNIQUE SPECIFICATION

### ● RECEIVER

Carrier Frequency:500-960MHz

Dynamic Range:96dB

Distortion: < 0.3%

Frequency Response:30-20KHz/+ -2dB

Signal / noise Ration:96dB

Receiving Sensitivity:-95dBm

Power Supply: DC12V 500mA

Audio Output: 1x6.3mm,2xXLR balance output

### ● HANDHELD MICROPHONE AND BODY-PACK MICROPHONE

Carrier Frequency: 500-960MHz

Frequency Switch: IR SYNC

Harmonic Radiation: < -50dBc

Battery life: > 5h

Power Output: 10-30mW

Battery : 2x1.5V AA battery

## CONTENTS

Contents .....	1
Brief Introduction .....	1
Main Features .....	2
Parts(Receiver).....	2
Receiver Display .....	4
Receiver Operation .....	5
Handheld Microphone Operation .....	6
Performance index .....	8

## 1、 BRIEF INTRODUCTION

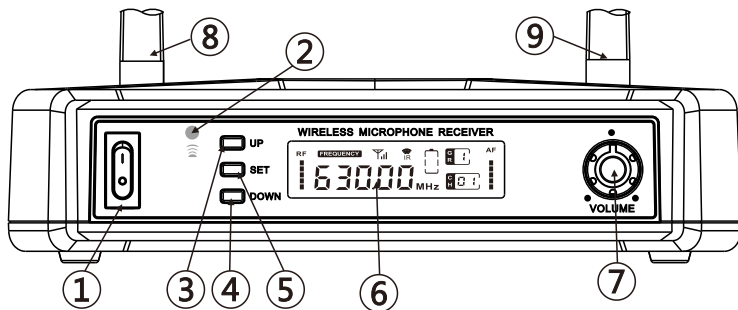
Our company has designed and developed this excellent wireless microphone system, using a fully integrated solution, single-chip integrated microphone amplifier, DSP-based audio processor, phase-locked loop frequency synthesizer and so on. Compared with the traditional discrete device system, the stability and reliability of all the circuit modules are further improved. This machine uses the traditional FM modulation technology, has the superior RF performance and the audio performance, provides the professional grade sound quality experience for the user.

## 2、 MAIN FEATURES

- Optional UHF band(550-960Mhz)
- Unique digital pilot technology, no crosstalk disturbance even same frequency.
- An efficient battery energy design that allows the microphone to be used continuously for longer periods of time.
- IR function
- The receiver and transmitter use LCD display to indicate frequency and battery level and so on.
- Single chip circuit design with multi-frequency selection function.
- Dedicated to large and small stages, dance halls, conference rooms, speeches, family entertainment and so on.
- Ideal distance: 50m

## 3、 PARTS(RECEIVER)

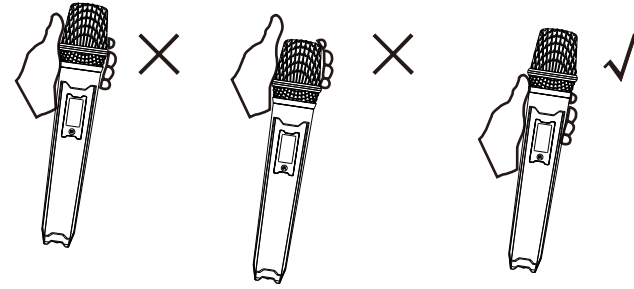
①、



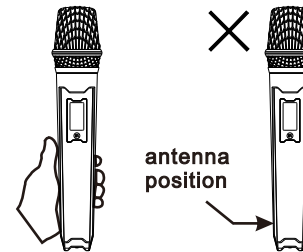
- |          |                   |
|----------|-------------------|
| 1、 POWER | 5、 SET            |
| 2、 IR    | 6、 DISPLAY WINDOW |
| 3、 UP    | 7、 VOL            |
| 4、 DOWN  | 8、 ANT-A          |
|          | 9、 ANT-B          |

## HANDHELD MICROPHONE USING TECHNIQUE

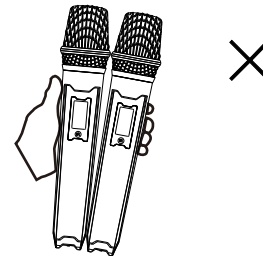
(1) Don't hold the microphone Grille:



(2) Avoid holding the microphone on antenna position:



(3) Don't put the two microphone to use together:

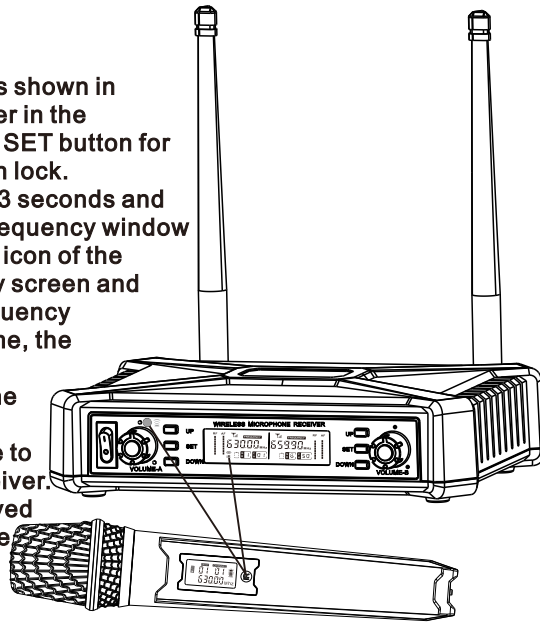


(4) Attention the using distance between the microphone Grille and mouth is less than 1 5cm.

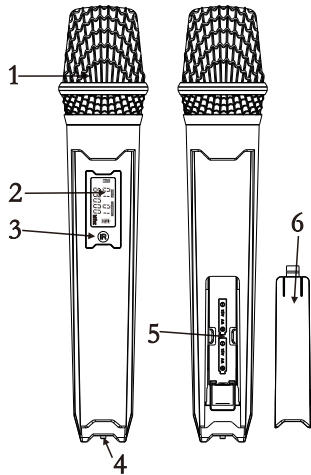
(5) Avoid pointing the Grille against the Horn.

## RECEIVER IR SYNC

Infrared frequency matching as shown in the following figure, the receiver in the power-on state, long press the SET button for 3 seconds to release the button lock. Then press the SET button for 3 seconds and then the light of the opposite frequency window of the receiver flashes with the icon of the receiving and receiving display screen and begins to emit the infrared frequency -to-frequency signal. At this time, the power switch of the wireless microphone is turned on and the frequency window of the microphone is closely opposite to the infrared window of the receiver. The frequency receiver displayed by the frequency receiver of the frequency successful microphone displays the same frequency, and the receiver displays the RF field strength signal.

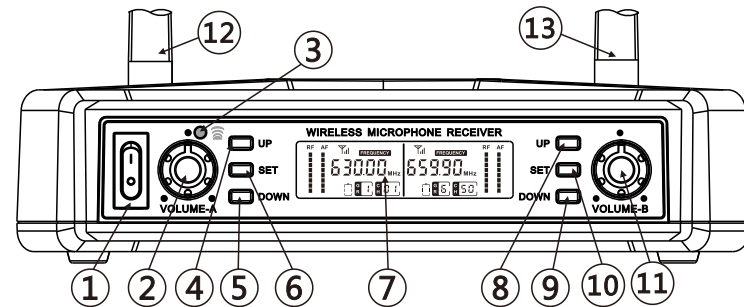


## 6. HANDHELD MICROPHONE OPERATION



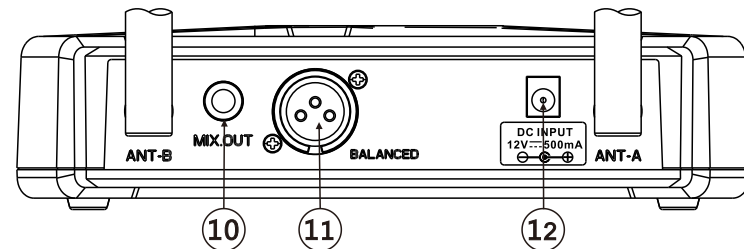
1. Microphone capsule: use to pick up sound.
2. LCD display: indicates the microphone working information status.
3. SYNC window: use to receive IR signal, must put against to the Receiver IR window when SYNCING.
4. ON/OFF switch: control the handheld microphone of power on, mute and off.
5. Battery Sink: insert 2x1.5VAA battery, note to insert in correct polarity.
6. Battery cover: battery for fixed wireless microphones

②、



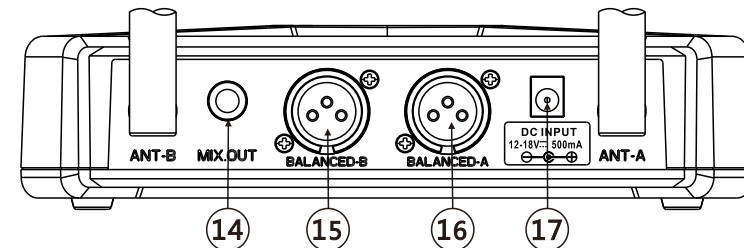
- |          |                  |
|----------|------------------|
| 1、POWER  | 7、DISPLAY WINDOW |
| 2、VOL.A  | 8、UP-B           |
| 3、IR     | 9、DOWN-B         |
| 4、UP-A   | 10、SET-B         |
| 5、DOWN-A | 11、VOL.B         |
| 6、SET-A  | 12、ANT-A         |
|          | 13、ANT-B         |

①、



- 10、MIX.OUT    11、BALANCE    12、DC INPUT

②、



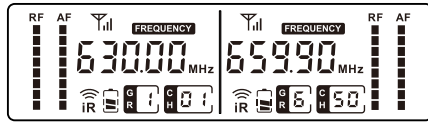
- 14、MIX.OUT    16、BALANCE A  
15、BALANCE B    17、DC INPUT

### 4. RECEIVER DISPLAY

①、



②、



RF: Indicate signal intensity, the longer length of the color, the stronger signal.  
 AF: Indicate audio level, the longer length of the color, the stronger signal.

IR Sync Sign

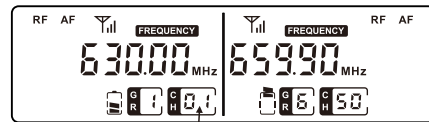
Battery icon, indicates the handheld microphone battery status.

630.00 MHz Indicates working frequency is 630.00MHz

Indicates working Group

Indicates working Channel

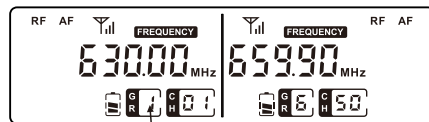
#### ● Channel setting model:



Flashing

Enter normal working state, long press SET key 3 seconds to release the key lock function, then press set key to enter channel setting mode, and then press UP key or DOWN key to select the appropriate channel.

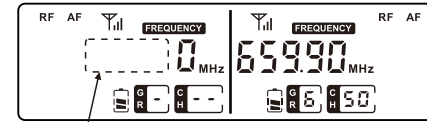
#### ● Group setting model:



Flashing

Enter normal working state, long press SET key 3 seconds to release the key lock function, then press set key to enter Group setting mode, and then press UP key or DOWN key to select the appropriate Group.

### ● Scan available channel mode

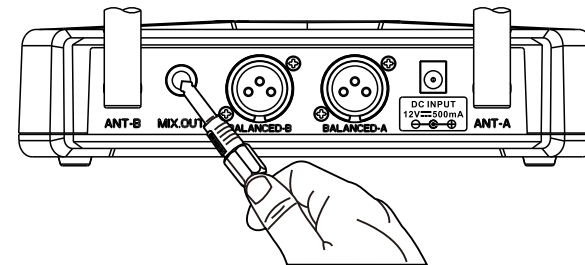


Flashing

Enter normal working state, long press SET key 3 seconds to release the key lock function, then press set key to enter Scan available channel setting mode, and then press UP key or DOWN key to select the appropriate Scan available channel.

### 5. RECEIVER OPERATION

- Connect the power: Connect the power cable to the DC socket (12) or (17) of the Receiver, make sure the adaptor is suitable before using the Receiver.
- Connect the audio cable: Mix output: connect the audio cable (attached) to the MIX. OUT socket (10) (14) while the other side connect to MIX. IN or AUX IN.



- Turn on the power button (1), Receiver is in working status.

Note: Before turn on the Receiver, turn the volume control knob (2.11) to the minimum volume, adjust the volume as needed when the Receiver is working.

FCC Warning:

This equipment has been tested and found to comply with the limits for a Class B digital device, pursuant to part 15 of the FCC Rules. These limits are designed to provide reasonable protection against harmful interference in a residential installation. This equipment generates, uses and can radiate radio frequency energy and, if not installed and used in accordance with the instructions, may cause harmful interference to radio communications. However, there is no guarantee that interference will not occur in a particular installation. If this equipment does cause harmful interference to radio or television reception, which can be determined by turning the equipment off and on, the user is encouraged to try to correct the interference by one or more of the following measures:

- Reorient or relocate the receiving antenna.
- Increase the separation between the equipment and receiver.
- Connect the equipment into an outlet on a circuit different from that to which the receiver is connected.
- Consult the dealer or an experienced radio/TV technician for help.

Caution: Any changes or modifications to this device not explicitly approved by manufacturer could void your authority to operate this equipment.

This device complies with part 15 of the FCC Rules. Operation is subject to the following two conditions:

(1) This device may not cause harmful interference, and (2) this device must accept any interference received, including interference that may cause undesired operation.

This equipment complies with FCC radiation exposure limits set forth for an uncontrolled environment. This equipment should be installed and operated with minimum distance 0cm between the radiator and your body.