

Automatic Pet Feeder

Video Type Operation Guide



Please Read the Manual Carefully
Before Using the Product

Safety Instruction

- 1.Children need to be used in the company of adults;
- 2.Do not use the feeder for pets who cannot reach the food tray or have physical disabilities.
- 3.Do not immerse the base part in water, which will damage electronic components such as control panel.
- 4.Do not place any foreign objects in the pet feeder.
- 5.Do not put canned, wet or wet food in the feeder.
- 6.Do not disassemble the equipment by yourself.
- 7.Do not modify the pet feeder.
- 8.If the equipment has faults or damaged accessories, do not try to repair the pet feeder by yourself. Contact the seller immediately and solve it.
- 9.Be sure to unplug the power plug when not using the product or cleaning the product.
- 10.If the power plug of the equipment is damp, please turn off the power of the socket and do not try to unplug the power plug.

Notice

- 1.Do not let your pet chew or swallow any accessories. If you are worried about the power cord, please buy wire conduit (hard plastic protector) and protect the power cord at the hardware store.
- 2.Do not install or put the pet feeder in an exposed place. The temperature should be within the range of - 10 °C~40 °C.
- 3.Please use alkaline Size D battery for power supply. Do not use rechargeable batteries.
- 4.Check the battery regularly. If you travel or travel for a long time, be sure to replace the battery.
- 5.Do not lift the pet feeder directly with the cover, food bucket and food tray. Hold the base with both hands to lift and carry, while keeping the device in an upright position.
- 6.Only applicable to dry food with a diameter of 2-12mm. Larger foods may get stuck or block the Food Outlet.
- 7.Please carefully read and follow all important instructions listed on the pet feeder and package.

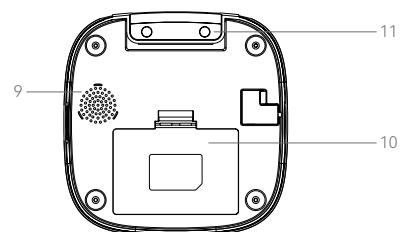
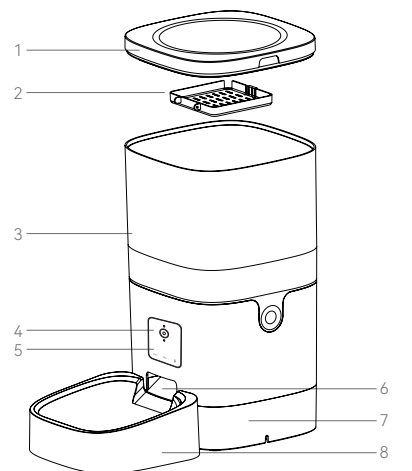
Product Image

Front view

- 1.Button to open cover
- 2.Food Tank Lid
- 3.Food Tank
- 4.Camera
- 5.Control Panel
- 6.Food Outlet
- 7.Body
- 8.Food Bowl

Bottom View

- 9.Speaker
- 10.Battery Compartment
- 11.DC Interface



Button Description

- ⊕ Reset: Press and hold for 7 seconds to make a "ding dong" sound, and the device will automatically restart after restoring the factory settings
 - ⊖ Manual feeding: short press to serve 1 portion, there are recordings and 2 recordings are played at the same time.
 - Ⓞ Recording button: Long press for 1s until you hear "di" and start recording. The recording time does not exceed 10s, After you release your hand, you will hear "didi" to indicate that it has been saved.
- Delete recording: Long press 1s to hear "di", then press 1s to release the recording button when hear "didi" to end recording. (It is actually used no recording to cover the old recording)

Indicator light (blue light)

1. Flashing: waiting for the distribution network
2. Steady on: The network connection is successful

Indicator light (red light)

1. Flashing: abnormal detection of limit switch (motor does not rotate)
2. Lock/unlock: Flashing twice

Cleaning and Maintenance

Please clean the feeder regularly to keep your pet's health.
When it starts to get dirty and a lot of loose food in the food trough, you can remove the food cover to clean it.
Clean the feeder base containing the control panel with a soft, damp cloth. Do not wet this part. Remember not to rinse it directly with running water.
Do not put the product in the dishwasher, otherwise it will be permanently damaged!

Packing list

After opening the product package, please confirm whether the machine is in good condition.
Please check the list to confirm whether the accessories are complete.
The Feeder ×1
The power adapter ×1
Power Cord ×1
User's guidance ×1

Specification

Food Tank Capacity: 4L/6L
Power supply: DC 5V/1A power adapter; 3pcs alkaline Size D Battery
Power adapter: AC110-240V input, DC5V output
GW: 4L-2.06kg / 6L-2.18kg
Size: 4L-19×19×30cm / 6L-19×19×35cm

FCC WARNING

This device complies with part 15 of the FCC Rules. Operation is subject to the following two conditions: (1) this device may not cause harmful interference, and (2) this device must accept any interference received, including interference that may cause undesired operation.

Any changes or modifications not expressly approved by the party responsible for compliance could void the user's authority to operate the equipment.

NOTE: This equipment has been tested and found to comply with the limits for a Class B digital device, pursuant to Part 15 of the FCC Rules. These limits are designed to provide reasonable protection against harmful interference in a residential installation. This equipment generates, uses and can radiate radio frequency energy and, if not installed and used in accordance with the instructions, may cause harmful interference to radio communications.

However, there is no guarantee that interference will not occur in a particular installation. If this equipment does cause harmful interference to radio or television reception, which can be determined by turning the equipment off and on, the user is encouraged to try to correct the interference by one or more of the following measures:

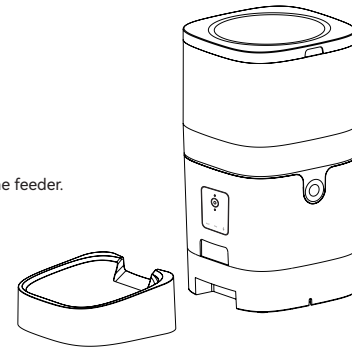
- Reorient or relocate the receiving antenna.
- Increase the separation between the equipment and receiver.
- Connect the equipment into an outlet on a circuit different from that to which the receiver is connected.
- Consult the dealer or an experienced radio/TV technician for help.

To maintain compliance with FCC's RF Exposure guidelines, This equipment should be installed and operated with minimum distance between 20cm the radiator your body: Use only the supplied antenna.

Instructions

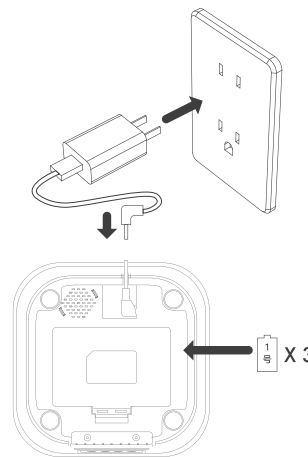
01 | Installation

- Remove the feeder from the box.
- Place the feeder in the suitable location.
- Combine the food tray with the base of the feeder.



02 | Connect the power supply

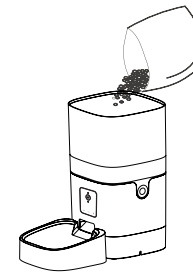
- Plug the 5V/1A power adapter into the wall socket and connect the device.
 - Open the battery compartment at the bottom of the feeder and install 3 pcs Size D Battery (not necessary) to prevent power failure
 - The LED light is on to indicate that the feeder is powered on.
- Note:
Does not including battery.
Before turning on the power, make sure that all parts are clean and completely dry.



03 | Put pet food in food tank

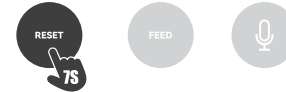
- Fill the food tank with dry pet food. Close the lid and it will snap into place due to gravity.

Note:
Do not place canned, wet or wet pet food.
The recommended pet food size range is 2-12 mm.



04 | Recording

- Press and hold for 7 seconds to make a "ding dong" sound, and the device will automatically restart after restoring the factory settings



5 | Feeding

- Manual feeding: short press to serve 1 portion, and will play the recording 2 times at the same time.

Note:
The feeding plan will not be affected.



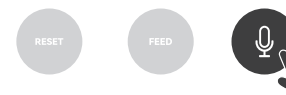
6 | Recording

- Press and hold for 1 second to start recording with a beep, when hear two beeps to end recording. The feeder only support up to 10 seconds recording.
- Delete recording: Long press for 1 second to make a beep, release the recording button for 1 second, and end the recording when you hear two beeps.

(In fact, a short period of blank recording is to replace recording)

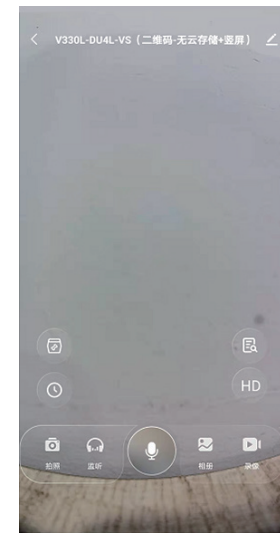
Note:

- It will play only when it is pressed when there is a recording.
- when the feeding time it will play the recording twice.



Feeder APP interface function

- Feeding: Manually feed pets.
- Timing feeding: Set the daily feeding time and number of servings for pets.
- Take photos: Take photos of pets and save them in the phone album.
- Headphone icon: Turn it on to hear the sound from the feeder.
- Microphone: Long press to start the intercom and release to end the intercom. You can talk to your pet through your mobile phone.
- Album: Store photos and videos.
- Video: Record pet videos and save mobile phone albums.
- HD: HD/SD, video resolution can be selected according to network speed.
- Search: Query feeding records.
- Setting options: device name, device information, basic function setting, infrared night vision function, detection alarm setting, common problems and feedback, sharing device, device upgrade.



Smart Life APP specific operations

- Scan the QR code to download the exclusive APP, register an account and log in
- Enter the main interface of the APP and add a device
- Manually Add-Small Appliances-IPC Pet Feeder
- Confirm the device indicator is flashing, then next step
- Enter the WiFi password. Note that the name and password do not contain Chinese characters and special symbols, and 5G WiFi is not supported.
- Keep the QR code facing the feeder camera at a distance of 10-15cm
- Wait for the device to connect to the network
- The addition is successful, you can give a name to the feeder
- Choose to feed regularly and set up a feeding plan
- Add timing, set feeding time and number of meals
- Select the time, repeat the selection to every day, and select the number of servings per meal
- Click the mark in the upper right corner of step 9 to enter the device settings

Simple Troubleshooting

- Q: Cannot be configured
- A: 1) WiFi name and password do not use Chinese, no more than 12 digits, please use a combination of numbers and letters, do not support 5G WiFi signal, please use 2.4G WiFi signal.
- 2) Some software conflicts in the mobile phone will also cause the network connection to fail. Please restart the mobile phone, close the non-system software that starts automatically when you turn it on, turn on the mobile phone's Bluetooth and positioning, and then try to reconnect.

- Q: The feeder is inaccurate or unable to feed
- A: Please check whether there is too much food on the food tray and whether the food outlet is blocked; usually clean the food outlet and food channel in time; when using battery power, please check whether the battery is dead and whether the battery is leaking.

- Q: The feeder displays offline
- A: Please check whether the distance between the feeder and the router at home is more than 10 meters (effective distance is 10 meters); try not to partition the wall in the middle. According to the WiFi characteristics, the WiFi signal of the partition wall will drop sharply, and the connection will become unstable, which will cause the product to be offline.

- Q: No response when turn on the feed
- A: First check that the movie is plugged in and the switch is on. If they are all plugged in, please check whether the power adapter and power cord are damaged, and contact customer service for handling.

- Hotspot distribution network (optional)**
- The specific steps are as follows:
- Open the Smart Life APP, select Add Device - Manually Add - Small Appliances - Pet Feeder (Wi-Fi) - Enter the WiFi Password Next - Click "Next", select Slow Flash - Click "Connect" - then go to connect SmartLife -XXXX WiFi signal.
 - After connecting, return to the previous interface, and then enter the network configuration interface to wait for the connection.