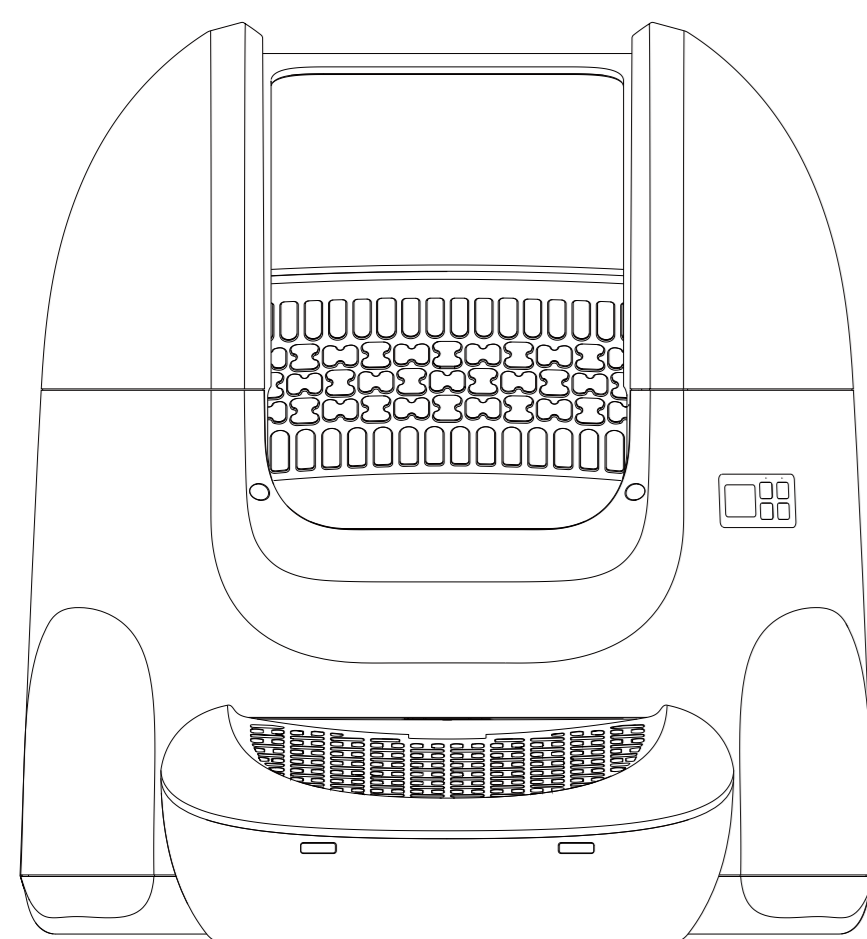


# Smart Cat Litter Box

## Operation Guide

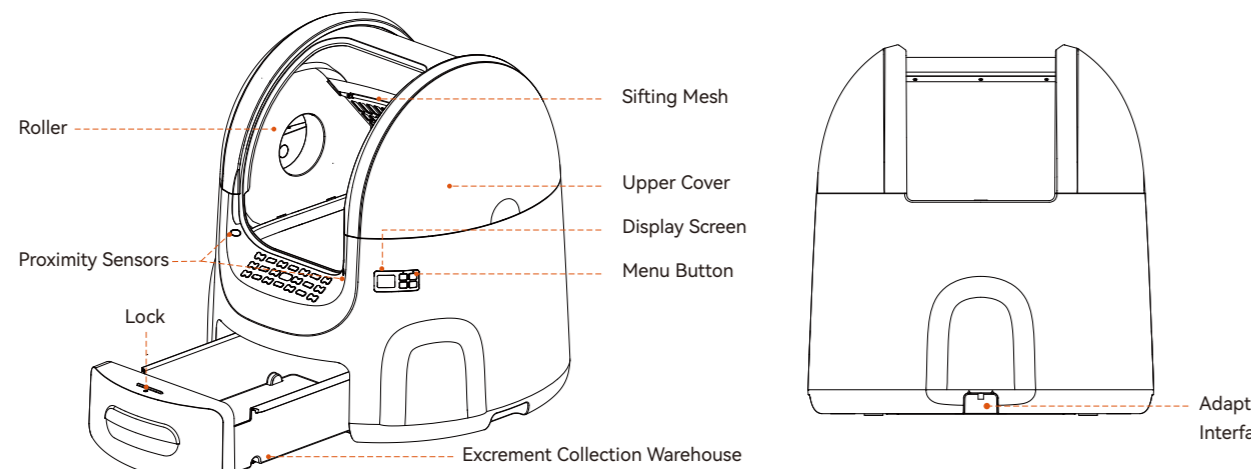


### 01 Parts List

Before installation, please check if the accessories are complete according to the parts list.



### 02 Product Image

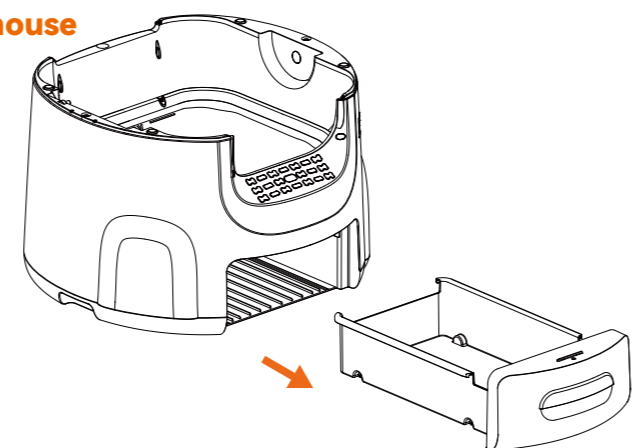


\*Note: In order to provide customers with better products, we will make product improvements regularly. Please refer to the actual product.

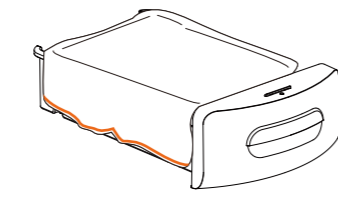
### 03 Installation

#### 3.1 Install Excrement Collection Warehouse

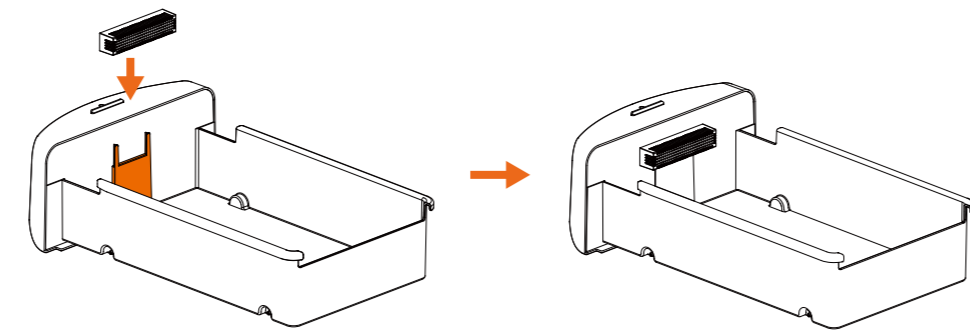
Step 1: Hold the handle of the collection warehouse, pull it out, and take out the excrement collection warehouse.



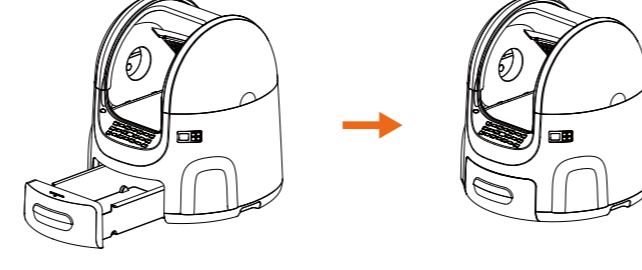
Step 2: Open the garbage bag, put it on the four sides of the excrement collection warehouse (as shown), and fit it to the bottom of the excrement collection warehouse with your hands.



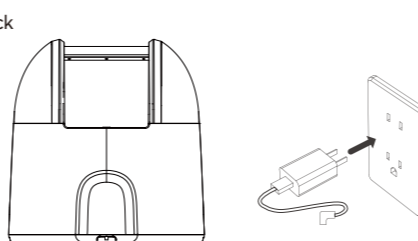
Step 3: Take out the deodorization block, and place it in the position as shown.



Step 4: Push the excrement collection warehouse back into the main unit.



Step 5: Plug the power adapter into the power interface on the back of the main unit, then plug it into the power socket to turn on.



#### 3.2 Add Cat Litter

Connect the power supply, wait for the device turns on and the screen lights up, then add cat litter.



#### 3.3 Smooth Cat Litter

(1) Hold and press the button for 3 seconds, until you hear 'did!' mean that the device unlocks.



(2) Press the button, the device will auto-smooth the cat litter.



### 04 Instructions

#### How to use the button of main body?

● Clean Now: Press this button to clean the cat litter; press it again to stop cleaning.

● Smooth Cat Litter: smooth the cat litter (suitable for when adding new cat litter daily); press again during this process to stop smoothing.

● Dumping Cat Litter: Dump all cat litter into the excrement collection warehouse, and press it again to stop the dumping. (suitable for replacing all the cat litter in the roller or cleaning the roller)

● Roller return/factory reset: Roller return: After unlocking the device, click the return roller to its initial position. Click it again during the process to pause/continue. Restore factory settings/network configuration: After unlocking the device, press and hold for 6 seconds, the machine is in network configuration state.

#### 4.2 Child Lock

● Default: if there is no button operation for 30 seconds, it will automatically lock.

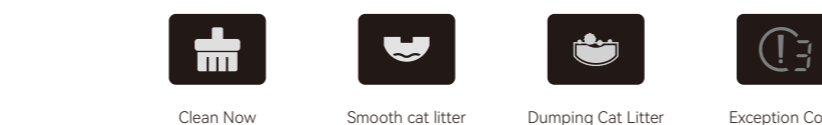
● Unlock: Method (1) hold and press button for 3 seconds, when you hear 'did!' and it unlock successfully. Method (2), click to unlock on the App homepage.

● Cancel Child Lock: You can turn off the child lock in App and it will keep all buttons unlocked status.

#### 4.3 Screen Description

● When the device button without any operation, the screen turns off; when there is a button operation, the screen lights up.

Note: When the screen is off, press any button and the screen will light up.



● When the cat litter box work, the screen will display the current action icon, after finishing current action, the screen will resume the main page.

#### The icons meaning as follow:

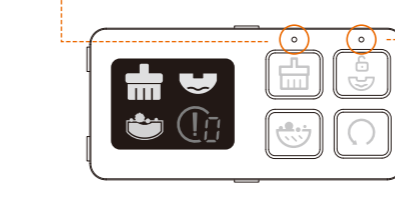
- Exception Code Meaning
  - C1 Normal
  - C2 Cat approach
  - C3 Cat enter
  - C4 Upper cover not install in place
  - C5 Excrement collection warehouse not install in place
  - C6 Excrement collection warehouse full
  - C7 Roller won't stay in place
  - C8 Reversal failed (It is a protection mechanism used when cat is caught in a trap)
  - C9 Upper cover not install in place
  - C10 Roller return (return state, not abnormal)

\*Note: when multiple exceptions occur in the device, the most recent exception is displayed. When all exceptions are resolved, the exception code disappears and the device returns C1 normal.

#### Indicator Light

● Left: Distribution Network Indicator  
○ Enter the distribution network state: light flashing  
○ Network distribution is successful: the light is always on

● Right: Abnormal indicator light  
(Check abnormal interaction below for indication status)



● Voice Interaction  
○ Operation button successful: it will beep once  
○ Abnormal prompt (see 4.4 Abnormal Interaction Description for details)

#### 4.4 Abnormal Interaction Description

Display Screen-Exception code	Meaning	Abnormal Indicator	Voice
C1	Normal	/	/
C2	Cat approach	Flash twice	/
C3	Cat enter	Flash twice	/
C4	Upper cover not install in place	Red light always on	Long beep for 1s
C5	Excrement collection warehouse not install in place	Red light always on	Long beep for 1s
C6	Excrement collection warehouse full	Red light always on	Long beep for 1s/10 minutes until the abnormality is eliminated
C7	Roller won't stay in place	Red light always on	Long beep for 1s
C8	Reversal failed	Red light always on	Long beep for 1s/10 minutes until the abnormality is eliminated
C9	Roller return (not abnormal)	Red light always on until the return is completed	/

### 4.5 Exception Resolution Method

Display Screen-Exception code	Meaning	Abnormal release	Image
C1	Cat approach	After the cat leaves for 30 seconds, it will be automatically released.	/
C2	Cat enter	It will be automatically released after the cat leaves.	/
C3	Upper cover not install in place	1. Check if the Upper cover is aligned; if not, align it. 2. If abnormality is still exist after alignment, check if the components have fallen off; if missing parts, do not operate by yourself; please contact the seller to deal with it.	Upper cover not install in place
C4	Excrement collection warehouse not install in place	1. Check if the excrement collection warehouse has been pushed to the bottom. 2. Check if the warning parts on the handle of collection warehouse has fallen off; if it fallen off, do not operate by yourself; please contact the seller to deal with it.	Excrement collection warehouse not install in place
C5	Excrement collection warehouse full	1. Remove garbage timely and replace it with new garbage bags to use. 2. Check if any foreign matter block the collection warehouse mouth; if yes, please wipe it with a wet rag or wet wipe. 3. If the problem not deal after above steps, please contact the seller to deal with it.	Excrement collection warehouse full
C6	Roller won't stay in place	1. Check if the components have fallen off; if yes, please contact the seller to deal with it. 2. Check whether the buckle is fastened as shown. 3. If the problem not deal after above steps, please contact the seller to deal with it.	Roller won't stay in place

### Exception Resolution Method

C7	Reversal failed	Check if any foreign object stuck at the location of the roller; if yes, it is necessary to take out the foreign object.	/
C8	Roller return (not abnormal)	No processing is required, and the exception code automatically returns to normal after execution.	/

### 05 Smart Life APP Connection

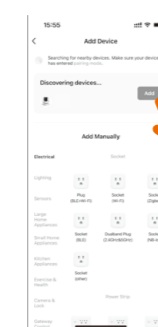
#### 5.1 App Binding & Activation

##### (1) Download & Install App



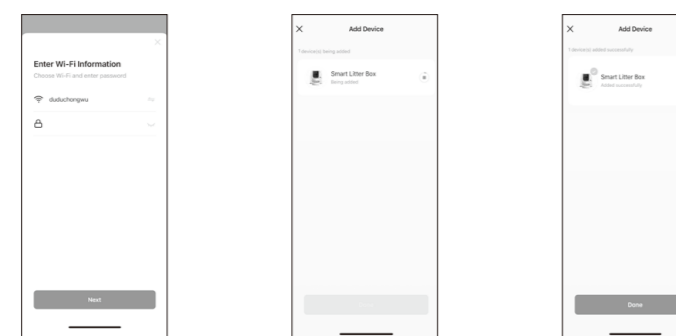
##### (2) Add Device

Make sure the device's network distribution indicator light is flashing. Download 'Smart Life' App and enter the main interface, then click 'Add Device' on the upper right corner and select 'Smart Cat Litter Box'.



##### (3) Connect

Make sure the device's network distribution indicator light is flashing. Enter the WiFi password. Note that the name and password do not contain Chinese and special symbols, and wait for the device to connect to the network.

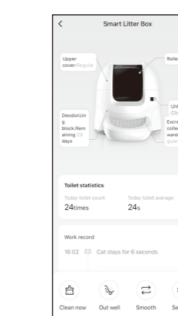


#### 5.2 App Intelligent Operation

##### (1) Check Toilet Status

Click the cat litter box from the device list on the home page, enter to view the toilet status, today toilet count and today toilet average etc.

As shown on right:



#### (2) Main Functions Introduction



● Clean now: After your pet goes to the toilet, click it to clean up.



● Out well: Dump all cat litter of the roller into the excrement collection warehouse. (Only support manual operation on the device control panel)

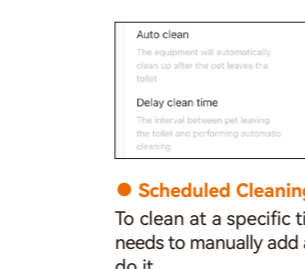


● Smooth: Smooth the cat litter inside the roller.

#### (3) Intelligent Setting

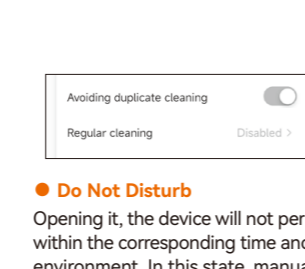
##### ● Automatic Cleaning

Opening it, you can set the delayed cleaning time, as shown.



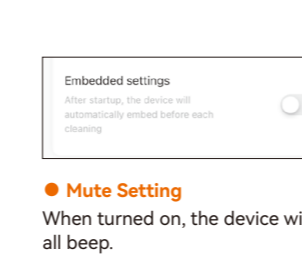
##### ● Avoid Duplicate Cleaning

Opening it, it can auto-identify whether it has been cleaned during the set time. It can avoid repeated cleaning and you can set the interval parameter.



##### ● Embedded Setting

Opening it, the cat litter box can embed before each cleaning, which is used when cats don't like to embed their excrement.



##### ● Mute Setting

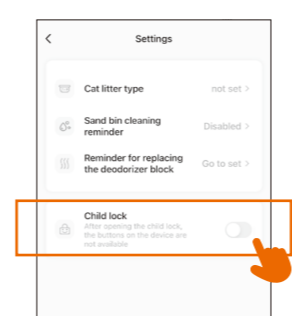
When turned on, the device will mute all beep.



#### (4) Child Lock Setting

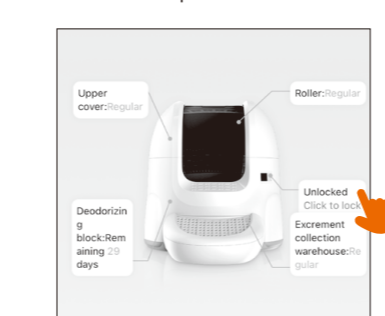
##### ● Child Lock Off

Turn off the child lock on the setting page, all device buttons can be operated at any time, not limited, but there is a risk of pets accidentally touching it, so it is recommended to turn on the child lock.



##### ● Unlock/Lock

When the child lock switch on the setting page is turned on, temporary lock and unlock can be performed.



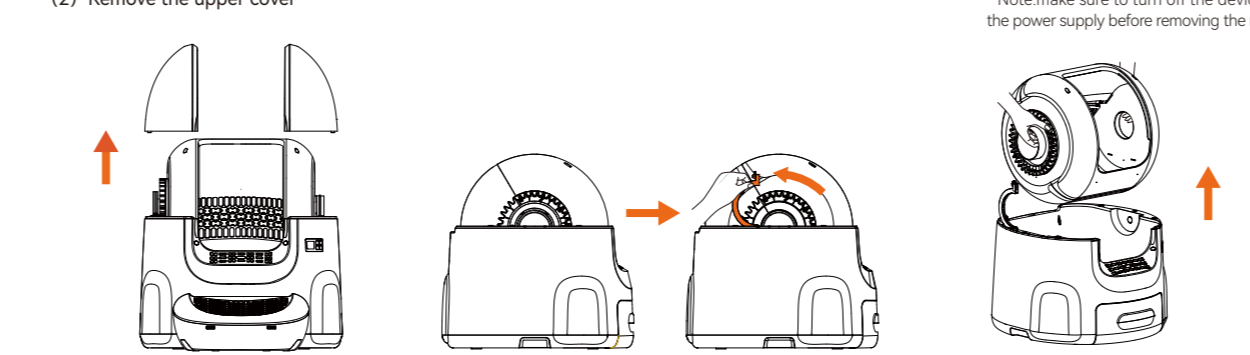
### 06 Cleaning and Maintenance

#### 6.1 Empty Cat Litter

Before cleaning, empty the remaining cat litter in the roller. Click to empty the cat litter in the roller.

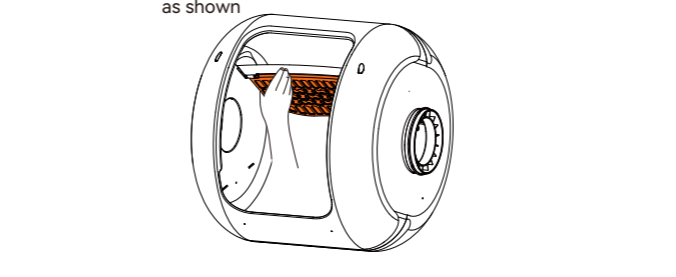
#### 6.2 Disassemble the Roller

(1) Turn off Power (2) Remove the upper cover (3) Open the lock assembly (4) Lift up and remove the roller

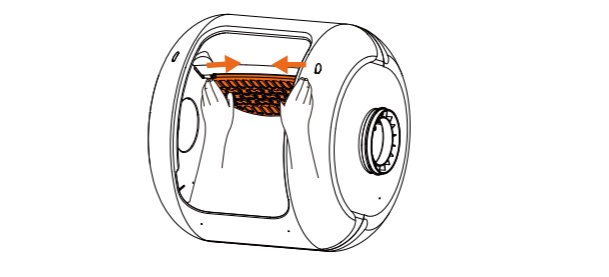


#### 6.3 Remove Sifting Mesh

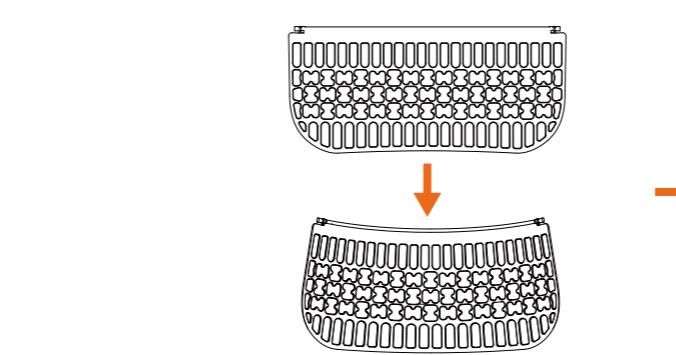
(1) Insert your hand deep into the roller and hold the sifting mesh, as shown.



(2) Press the sifting mesh inward with both hands, as shown.

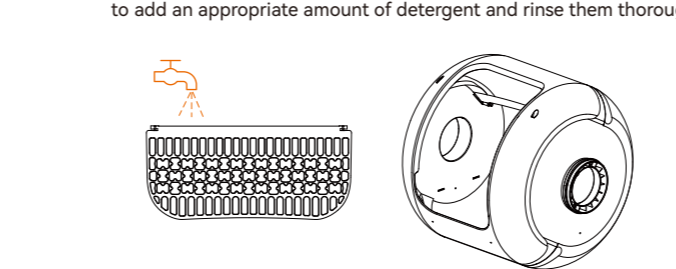


(3) The sifting mesh is slightly curved and can be removed from the buckle.

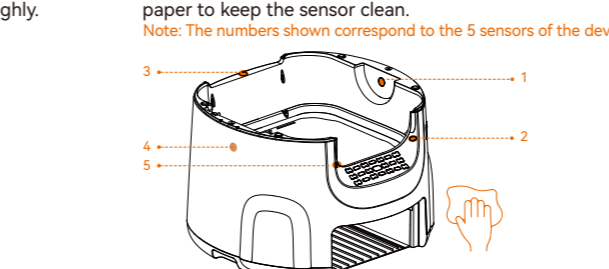


#### 6.4 Cleaning Instructions

(1) Clean the roller and sifting mesh one by one. It is recommended to add an appropriate amount of detergent and rinse them thoroughly.



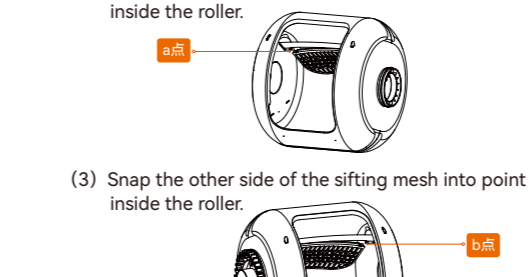
(2) Wipe the surface and interior of the main body with a wet paper to keep the sensor clean.



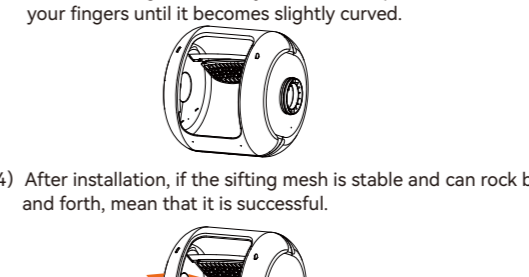
Note: After cleaning, all parts must keep dry then install them into the main body. The main unit is strictly forbidden to rise or soak in water! Only wipe, otherwise product damage will occur!

#### 6.5 Install Sifting Mesh

(1) Firstly, snap the front side of sifting mesh into point a inside the roller.



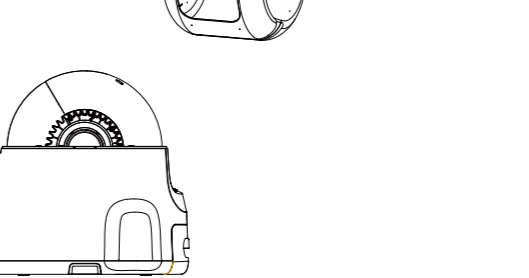
(2) Hold the sifting mesh with your hand and press it inward with your fingers until it becomes slightly curved.



(3) Snap the other side of the sifting mesh into point b inside the roller.

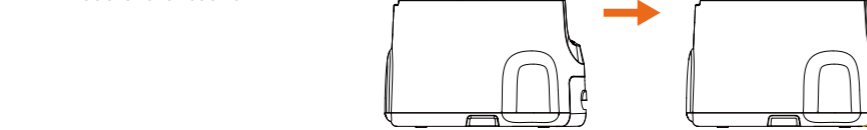


(4) After installation, if the sifting mesh is stable and can rock back and forth, mean that it is successful.



#### 6.6 Install roller

Put the roller back on



#### Safety Instruction

Please install and use the equipment strictly according to the instructions. It is strictly prohibited to use by kittens under 6 months old and cats weighing less than 1.5kg. Do not place the device in a high temperature and high humidity environment. Please use it in an indoor environment. Do not place it in a place exposed to direct sunlight. Please keep it away from the sources. This device is in low-voltage mode, but pets chewing on the wires may still cause leakage, so please use it correctly. Please use the original adapter, otherwise it may damage the device or cause safety hazards. Please place it on a level hard surface and avoid touching the wall. Do not tip over the device to avoid safety hazards. It is forbidden to immerse or soak the bottom of the main unit of this product in water. The base of this product is equipped with many components. Please be careful when handling. If this product will not be used for a long time, please unplug the power cord. Children must be accompanied by adults to use it. Please perform maintenance under the guidance of professionals to avoid various accidental injuries. It is prohibited to place objects or press on the top of the device to prevent it from affecting the normal operation. Before a long vacation, please make sure if enough cat litter in the cat litter box and if there is enough space in the toilet. If you meet any product problems, please contact the seller to deal with it.

#### Product Parameters

Rated voltage: 12V  
Rated power: 24W  
Connection method: Wi-Fi connection  
Scope of application: Cats 6 months old and above  
Product name: Smart cat litter box  
Product model: DU-CL31W  
Packing size: 651\*442\*658MM  
Overall machine weight: 13.04kg  
ID: 051-D

Any Changes or modifications not expressly approved by the party responsible for compliance could void the user's authority to operate the equipment.

This device complies with part 15 of the FCC Rules. Operation is subject to the following two conditions: (1) This device may not cause harmful interference, and (2) this device must accept any interference received, including interference that may cause undesired operation.

Note: This equipment has been tested and found to comply with the limits for a Class B digital device, pursuant to part 15 of the FCC Rules. These limits are designed to provide reasonable protection against harmful interference in a residential installation. This equipment generates and can radiate radio frequency energy and, if not installed and used in accordance with the instructions, may cause harmful interference to radio communications. However, there is no guarantee that interference will not occur in a particular installation. If this equipment does cause harmful interference to radio or television reception, which can be determined by turning the equipment off and on, the user is encouraged to try to correct the interference by one or more of the following measures.

- Reorient or relocate the receiving antenna.
- Increase the separation between the equipment and receiver.
- Connect the equipment into an outlet on a circuit different from that to which the receiver is connected.
- Consult the dealer or an experienced radio/TV technician for help.

This equipment complies with FCC radiation exposure limits set forth for an uncontrolled environment. This equipment should be installed and operated with minimum distance 20cm between the radiator and your body.

This transmitter must not be co-located or operating in conjunction with any other antenna or transmitter.