



Sports smart watch User Manual

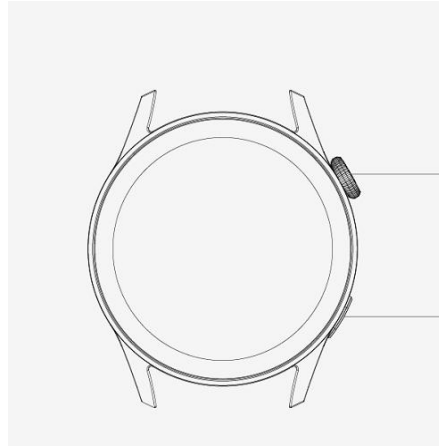
Thank you for choosing our smart watch. You can fully understand the use and operation of the equipment by reading this manual.

The company reserves the right to modify the contents of this manual without any prior notice.

The product contains: a packing box, a manual, a watch body, and a USB cable.

Watch function description

Button description:



Up button:

Turn on and off the screen; one key to return to the main interface; long press to restart the watch.

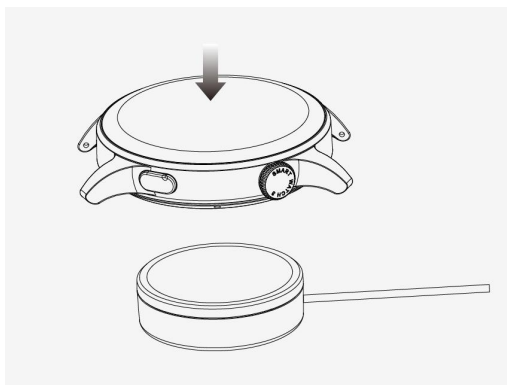
Button down:

Short press to enter multi-sport mode.

In addition, when the watch is in the off-screen state, the watch can turn on the screen by pressing the button.

Charging instructions:

Wireless charging, as shown in the figure below.



1.1 Shortcut function:

- 1) Swipe to the left to display the "+" icon, click the icon to add part of the menu as a shortcut function.
- 2) Slide down to display, Bluetooth connection status, time, power, brightness adjustment and other functions.
- 3) Swipe to the right to display, time/date/week, the latest message (enter to view multiple messages)/turn on or off Bluetooth for calls and display some of the recently used menu functions.
- 4) Swipe up to enter the menu interface, and slide up and down to find the corresponding function.
- 5) Long press the watch face interface to slide to switch the watch face, select it and touch it to set it successfully.

1.2 Push message

- 1) When the watch is bound to the APP, and the notification permission is turned on, the new messages received in the notification bar of the mobile phone will be pushed to the watch, and a total of 10 messages can be saved. The messages received after 10 messages will be overwritten one by one news.
- 2) Swipe to the bottom to press the delete icon to clear all message records.

1.3 Drop-down menu

The dial interface slides down to open the drop-down menu interface.

- 1) Bluetooth connection status; time display, power display;
- 2) The first icon, about;
- 3) Setting; enter the setting part of the function;
- 4) Brightness adjustment; adjustable screen brightness adjustment;
- 5) stopwatch; Click the stopwatch to enter the timing interface, and you can record the time at a time.

1.4 Phone/Call History

1. Enter the left swipe interface, click the call icon to turn on/off the Bluetooth phone, turn on Bluetooth, go to "About" to turn on Bluetooth, open the phone settings, search, Bluetooth name + the last four digits of the Bluetooth address, after connecting the phone to Bluetooth successfully, you can Use the watch to answer/hang up the Bluetooth phone.
2. Call records, which can save the records of connected and dialed calls. (It can save more than 50 call records, and it will be automatically overwritten when 128 records are full. Click any call record to call back)
3. Dial the keyboard, you can enter the phone number to make a call.

1.5 message

The watch and the APP are successfully bound, the corresponding notification authority in the mobile phone system is opened, and the mobile phone information can be synchronized with the watch.

- 1.5.1. Incoming call notification:

Turn on the call reminder in the personal application. When the phone receives the call reminder, the watch will light up or vibrate.

1.5.2. SMS notification:

The SMS notification is enabled in the personal application. When one or more SMS messages are received on the mobile phone, the watch will receive one or more SMS reminders at the same time.

1.5.3. Other application message notifications:

Turn on the corresponding application message notification switch in personal applications, such as WeChat, QQ, Outlook, Facebook and other applications. When the mobile terminal receives one/multiple application message notifications, the watch terminal will receive one/multiple corresponding message reminders at the same time Notice.

1.6 Frequently used contacts

You can connect to the APP. In the device of the APP" select frequently used contacts" add contacts (up to 20 contacts can be added), which can be synchronized to the watch, and the watch can display up to 20 contacts.

1.7 Fitness data

The fitness data is turned on by default. Enter the fitness data interface and slide from bottom to top to display the current number of steps, distance, and calories of the watch. The data is cleared at 12 o'clock in the morning every day.

1.8 Sports modes (strike, running, cycling, skipping rope, badminton, basketball, football)

1.8.1 Select the corresponding exercise mode, click the start button on the screen to enter the corresponding exercise mode; click the start button of the exercise being calculated to pause the exercise, click the end button to end the exercise and save the data.

1.8.2 When the exercise time is longer than 1 minute, the exercise data can be saved; when the exercise is saved under this condition, it will prompt "Too little data to save".

1.9 Heart rate

Put the watch on your wrist correctly, enter the heart rate menu, and you can measure the heart rate value at a time.

1.10 ECG

Put the watch on your wrist correctly, enter the ECG menu (need to open the APP "ECG monitor" interface), you can measure the ECG value in a single time, and the single ECG measurement can be saved in the APP simultaneously. This function needs to be connected to the APP to use .

2.0 My QR code

Connect the watch to the APP, find my QR code on the APP interface, select WeChat/QQ/ Alipay and other "Receive money QR code" to save (the specific operation method is based on the instructions of the APP).

2.1 Calculator

Simple calculations can be performed after entering.

2.2 Remote music

Connecting to the APP, you can control the phone's music/start/pause/previous/next song, and the speaker sound will appear on the phone.

Connect the call Bluetooth, you can control the phone's music/start/pause/previous/next song, and the speaker sound appears on the watch.

2.3 Sleep

Sleep monitoring time period: from 18:00 in the evening to 10:00 the next day, the watch generates data. After exiting the sleep monitoring, the sleep data on the watch can be synchronized to the APP for viewing after connecting to the app.

2.4 Stopwatch

Click the stopwatch to enter the timing interface, and you can record the time at a time.

2.5 Weather

After the watch is connected to the app and the data is synchronized, click on the weather on the watch to display the weather information of the day.

2.6 Find mobile phone

After the watch is bound to the app, click on the phone to find the phone on the watch, and the phone will vibrate or ring tones.

2.7 Meteorology

Click the weather on the watch side to display the ultraviolet (UV) and air pressure conditions of the day.

2.8 Breathing

There are three modes of breathing: slow, moderate, and fast, which can be selected, and the breathing can be carried out according to the mode selected by the user.

2.9 Massager

Tap the green button to start the massage, and the watch is in a vibrating state, tap the red button to end the massage state.

3.0 Menu style

There are a variety of menu styles to choose from. After setting, the menu style of the watch will also be changed.

3.1 Settings

- 1) When you enter, you can select the watch language, connect to the APP, and synchronize data. The watch and the phone have the same language.
- 2) Switch the watch face, slide right to select the next watch face, select a watch face, and click to set the watch face.
- 3) Bright screen time; a variety of bright screen time lengths can be selected.
- 4) Vibration intensity; click to set reminder vibration intensity.
- 5) Bluetooth phone; Bluetooth phone can be turned on/off
- 6) Password; a 4-digit password can be set (if you forget the password, please enter 8762, which can be decrypted)
- 7) Restore factory settings; click ✓ to enable the factory reset, and click X to cancel the factory reset.

II. Bind APP

1. APP download

1.1 Scan the QR code to download the APP



1.2 For Android end user:

Search for "WearPro" in the Google Play App Store or any customized Android Store to download, remember to check the phone pop-up box to agree to the permissions when installing;

1.3 For IOS end user:

Search for "WearPro" in the APP Store to download, remember to check the mobile phone pop-up box to agree to the permissions when installing;

After WearPro is installed, the application icon is shown as:



2. Connect APP through mobile phone Bluetooth

2.1 Search for Bluetooth name to connect/pair

Scroll down on the **watch** main interface, find the first icon "About (i)" and click it, and remember the Bluetooth name of the watch; then, open the WearPro APP on the mobile phone, click on the "Device" column, and click on "Search to bind device" to start searching , In the

Bluetooth list, find the Bluetooth name of the your watch and pair it. If the connection is successful, the Bluetooth icon of the watch will light up green (in the middle of the icon);

2.2 Scan QR code to connect/pair

After pulling down on the watch main interface, click on the first icon displayed "About (⚙)" , you can see a QR code for connection, then take out the phone to open WearPro, and in the "Device" column, select "Scan to bind device", the pairing box will pop up after scanning the QR code. Click "Pair" to connect the App to the watch. Remember to check to agree to the notification permissions of various Apps;

3. Connect the watch's audio/call Bluetooth channel:

Open the Bluetooth settings of the phone, swipe right on the main interface of the watch, click the "phone call" icon that appears below, and click "Open" to see the name of the audio/call Bluetooth. Find the Bluetooth name in the Bluetooth list of the phone and pair; after the audio/call Bluetooth connected, the Bluetooth icon of the watch is displayed as (the outer periphery) lights up in blue;

Tip: Based on this connection, make sure to tap on various APP notification synchronization permissions in WearPro settings, to realize synchronously viewing of various message from mobile phone on the watch side; to realize all connection functions(like making a phone call through watch), make sure that both App side and audio Bluetooth are connected to the phone.

4. Unbind Bluetooth connection from the APP side

4.1 Android system unbind Bluetooth from the APP

In the "Device" column of WearPro, pull down to the "Unbind" and click to unbind the App;

4.2 IOS system unbind APP Bluetooth

In the "Device" column of WearPro, scroll down to "Unbind" and click to unbind the App; then go to the Bluetooth settings of the phone, select the Bluetooth name of the smart watch, and click "Ignore this device"

After canceling the Bluetooth connection on the APP, the green connection in the middle of the Bluetooth icon of the watch is released, and the blue outside the circle is still lit;

5. Unbind audio Bluetooth connection

TO disable the audio Bluetooth connection, find the name of the audio Bluetooth in the Bluetooth settings of the mobile phone, and click "Ignore this device" to unbind all Bluetooth connections with the watch. After all operations are completed, the watch's Bluetooth icon will return to gray, means no connection .

6. Find the device

The watch is successfully bound to the app. Click to find the watch on the mobile app, and the watch will vibrate once when the screen is on.

7. Camera

Tap the camera to wake up the watch device's camera mode, tap the camera button to take a photo, and the picture will be automatically saved to the phone system album.

8. Data synchronization

The watch is successfully bound to the app, and the data from the watch can be synchronized to the app.

9. Raise your hand to brighten the screen

Wear the watch correctly on your wrist (left/right hand). When you turn on the hand-up button, when you lift your wrist to look at the watch, the watch will automatically brighten the screen.

10. Do not disturb mode

In the APP Device>More, set the start to end time, such as: 12:00 to 14:00 noon for the do not disturb mode, during this time there will be no phone calls and message sound reminders on the watch.

11. Daily alarm clock

In the APP in the APP Device>More, set the start to end time, the alarm can be set only once or repeatedly select the date (week) setting, and the alarm can be turned on/off.

12. Sedentary reminder

Set the start to end time period and the sedentary time interval (minutes) in the APP, click to enter the repeat setting only once or select the sedentary reminder date (week). When the sedentary time is reached, the watch will vibrate and there will be a sedentary icon.

13. Drink water reminder

Set the start to end time period and frequency (minutes) in the APP, click to enter the repeat setting, select the drinking reminder date (week), check the drinking reminder and save it. When the reminder time for drinking water arrives, the watch will vibrate and there will be a drinking water icon.

14. Dial push

14.1 Push an existing watch face

Connect to the app, go to Device>Dial Push>Select Dial>, and make sure to replace it with this dial. After the dial is synchronized, the watch will automatically restart and then automatically connect to the app.

14.2 Customize the watch face

Connect to the APP, select Device>Dial Push>(Dials with pen icons belong to custom dials) Custom Dial Settings>You can choose a custom background. After the dial is synchronized, the watch will automatically restart and then automatically connect to the app.

15. Firmware version

The version of the watch is displayed, and the user can choose to upgrade the firmware version.

16. QR code of Alipay payment

The watch features the payment function , which requires the phone to scan the code to verify binding. Follow the steps below:

Click the Alipay icon on the main interface(drop down screen) of the watch, and complete the binding and use of **personal Alipay account** and **smart watch payment function** according to the instructions in the popup box. If you do not use the watch to pay, you can also unbind.

●Frequently asked questions and answers

***Please avoid exposing the device to extreme temperatures that are too cold or too hot for a long time, which may cause permanent damage.**

***Why can't I take a hot bath with my watch?**

The temperature of the bath water is relatively changed, it will produce a lot of water vapor, and the water vapor is in the gas phase, and its molecular radius is small, and it is easy to seep into the gap of the watch case. The internal circuit of the watch is short-circuited, which damages the circuit board of the watch and damages the watch.

***No power on, no charging.**

If you receive the goods and the watch does not turn on, it may be caused by a collision during the transportation of the watch and the battery Seiko board has been protected, so plug in the charging cable to activate it.

If the battery is too low or the watch does not turn on after a long period of time, please plug in the data cable and charge it for more than half an hour to activate.

Warranty description:

1. When this product is in normal use, if there are product quality problems caused by manufacturing, materials, design, etc.,

From the date of purchase, the motherboard is guaranteed for free within one year, and the battery and charger are guaranteed for half a year.

2. No free warranty is provided for failures caused by the user's personal reasons, as follows:

1). Failure caused by unauthorized disassembly or modification of the watch.

2). Failure caused by accidental fall during use.

3). All man-made ruins or due to the third party's fault, misuse (such as: water in the main engine, external force cracking, scratches on peripheral components Damage, etc.) are not covered by the warranty.

3. When requesting a free warranty, please provide a warranty card with the date of purchase and the stamp of the place of purchase.

4. When the user repairs the product, please take the product to our company or our company's dealership.

5. All functions of the product are based on physical objects.

Purchase date:

Invoice(Ref) No.:

Seller:

Customer Signature:

Signature of Store Clerk:

Stamp of Store:

FCC Caution:

This device complies with part 15 of the FCC Rules. Operation is subject to the following two conditions: (1) This device may not cause harmful interference, and (2) this device must accept any interference received, including interference that may cause undesired operation.

Any changes or modifications not expressly approved by the party responsible for compliance could void the user's authority to operate the equipment.

NOTE: This equipment has been tested and found to comply with the limits for a Class B digital device, pursuant to Part 15 of the FCC Rules. These limits are designed to provide reasonable protection against harmful interference in a residential installation. This equipment generates, uses and can radiate radio frequency energy and, if not installed and used in accordance with the instructions, may cause harmful interference to radio communications. However, there is no guarantee that interference will not occur in a particular installation.

If this equipment does cause harmful interference to radio or television reception, which can be determined by turning the equipment off and on, the user is encouraged to try to correct the interference by one or more of the following measures:

- Reorient or relocate the receiving antenna.
- Increase the separation between the equipment and receiver.
- Connect the equipment into an outlet on a circuit different from that to which the receiver is connected.
- Consult the dealer or an experienced radio/TV technician for help.

The device has been evaluated to meet general RF exposure requirement. The device can be used in portable exposure condition without restriction.

FCC ID: 2A54U-DT3MAX