

# Smart watch

## USER MANUAL



**Thank you for choosing our smart watch. You can fully understand the use and operation of the equipment by reading this manual. The company reserves the right to modify the contents of this manual without any prior notice.**

Package box contains: a packing box, a manual, a watch body, and a charging cable.

## I. Watch function description

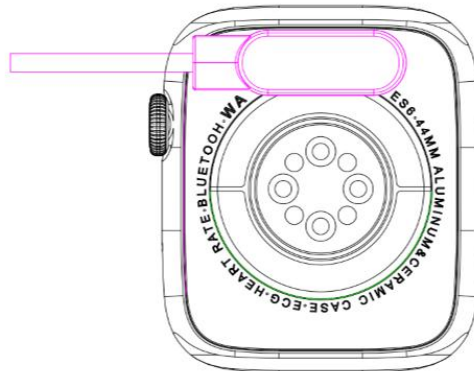
### Button description:



- 1) When the watch is in the off-screen state, short press the rotary button to turn on the screen, and short press the rotary button again to turn off the screen;
- 2) When the watch is in the dial interface, double-click the rotary button to make emergency calls (need to connect to the calling/audio Bluetooth of a mobile phone to use); rotate the rotary button to switch the dial;
- 3) In the menu interface, rotate the rotary button to turn the page;
- 4) Enter the menu style interface, short press the rotary button to exit;
- 5) In the menu style interface, double-press the rotary button to switch the menu style;
- 6) When entering the second-level interface or the third-level interface, short press the rotary button to return to the dial interface;
- 7) Long press the rotary button to control the watch on/off.

### Charging instructions:

Magnetic charging, as shown in the picture below.



### 1.1 Shortcut function:




- 1) Swipe to the left to find the "+" icon, click the icon to add part of functions in shortcut.
- 2) Scroll down to find Bluetooth connection status, time, power, do not disturb mode, brightness adjustment and other functions.
- 3) Swipe to the right to display, time/date/weekday/ the latest message (enter to view multiple messages)/turn on or off Bluetooth for calls and display some of the recently used menu functions.
- 4) Scroll up to enter the menu interface, and scroll up and down to find the corresponding function.
- 5) Long press the watch face interface to switch the watch face, select one and tap it to set it successfully..


### 1.2 Push message

- 1) When the watch is bound to the APP, and the notification permission is turned on, the new messages received in the notification bar of the mobile phone will be pushed to the watch, and a total of 10 messages can be saved. The messages received after 10 messages will be overwritten one by one.
- 2) Scroll down to the bottom to press the delete icon to clear all message records.

### 1.3 Drop-down menu

Scroll down the watch face to enter the drop-down menu interface.

- 1) Bluetooth connection status; time display, power display;
- 2) Icon , to show the version of the watch and the Bluetooth address;
- 3) Icon , to adjust the brightness of the screen;
- 4) Icon , to control the music;

5) Icon , to set the phone number of the emergency call. In the dial interface, long press the bar button to quickly make the emergency call.

6) Swipe left for more shortcut functions: GPS, mode selection, power saving mode, alarm, flashlight, SOS (in power saving mode, the brightness display will be slightly different).

#### **1.4 Phone/Call History**

1) Enter the telephone function, click "Open" to turn on the calling Bluetooth, you can see a name of the audio/calling Bluetooth, find the the name in the mobile phone's Bluetooth list and bind it. After they are successfully connected, you can use the watch to answer or hang up the Bluetooth calls.

2) Call records can save the records of Bluetooth calls.

3) Enter the keyboard, input phone number to make Bluetooth calls.

#### **1.5 Message**

After you successfully bind the watch to the APP, and the corresponding notifications permission is allowed in your mobile phone system, notifications received in your mobile phone can be pushed to the watch.

1.5.1. Incoming call notification:

Turn on the call reminder in the APP. When the phone receives a call, the watch will ring or vibrate.

1.5.2. SMS notification:

The SMS notification can be enabled in the APP. When one or more SMS messages are received on the mobile phone, the watch will receive one or more SMS reminders at the same time.

1.5.3. Other applications' notification:

Turn on the corresponding application notification switch in the APP, such as WeChat, QQ, Outlook, Facebook and other applications. When the mobile phone receives one/multiple application notifications, the watch will receive one/multiple corresponding message reminders at the same time.

#### **1.6 Frequently used contacts**

Bind the watch to the APP first, then open the APP, tap "Device" > "Frequent contacts" > "Add contacts (up to 20 contacts can be added) > "Syn to watch".

#### **1.7 Fitness data**

The fitness data is turned on by default. Enter the fitness data interface and scroll down to display the current number of steps, distance, and calories of the watch. The data will be cleared at 00:00 every day.

#### **1.8 Smart mode selection**

When the watch is switched to watch mode, the watch will disconnect the Bluetooth connection and the watch can be used independently, making it more power-efficient.

When the watch is switched back to smart mode, the watch can connect to the APP on the phone to perform more smart operations.

#### **1.9 Sports modes** (strike, running, cycling, rope skipping, badminton, basketball, football etc.)

1.9.1 Select the corresponding exercise mode, click the start button on the screen to enter the corresponding exercise mode; click the start button to start or pause the calculation of the exercise, click the end button to end the exercise and save the data.

1.9.2 When the exercise time is longer than 1 minute, the exercise data can be saved; when the exercise is less than one minute, it will prompt "Too little data to save".

1.9.3 Newly added more exercise modes to choose from, such as gym, yoga, indoor running and free training.

1.9.4 Newly added the GPS movement track. When you start the sport function in the APP, the watch will enter the sport mode simultaneously. After the exercise, the data in the APP like GPS movement track will synchronize to the watch for you to check conveniently.

## **1.10 Heart rate**

Wear the watch on your wrist correctly, enter the heart rate feature, and you can measure the heart rate for once each time(Please make sure you wear it firmly when you measure).

## **1.11 ECG**

Wear the watch on your wrist correctly, enter the ECG feature (need to open the interface of "ECG Detection" in the APP), you can measure the ECG for once each time, and the single ECG measurement result can be saved in the APP simultaneously. This function needs the watch to connect to the APP to use(Please make sure you wear it firmly when you measure).

## **2.0 My QR code**

Connect the watch to the APP, find My QR Code in the APP, select WeChat/QQ/Alipay and other "Receive money QR code" to sync to the watch ( Please follow the instructions in the APP for the specific operation) .

## **2.1 Calculator**

Simple calculations can be performed with watch.

## **2.2 Remote control music**

Connecting the watch to the APP, you can control the phone's music, and songs will be broadcast on the phone.

Connecting to the calling Bluetooth of your mobile phone either, you can control the phone's music, and the music will be broadcast on the watch.

## **2.3 Sleep**

The sleep monitoring feature works between 18:00 at dusk and 10:00 in the morning the next day. After you wake up, the sleep data on the watch can be synchronized to the APP for viewing after connecting it to the APP.

## **2.4 Stopwatch**

Click "Stopwatch" to enter the timing interface, and you can record the time for once each time..

## **2.5 Weather**

After the watch is connected to the app and the data is synchronized, click on "Weather" on the watch to display the weather information of the day.

## **2.6 Find mobile phone**

After the watch is bound to the app, click "Find phone" on the watch to find the compatible phone, and the phone will vibrate or ring tones.

## **2.7 Meteorology**

Click on “Meteorology” on the watch to display the ultraviolet (UV) and air pressure conditions of the day.

## **2.8 Breathing**

There are three modes of breathing training: slow, moderate, and fast. Users can take the breath training based on the mode they select.

## **2.9 Massager**

Tap the green button to start the massage, and the watch is in a vibrating state, tap the red button to end the massage.

## **2.10 Time setting**

Disconnected from the APP and set the time function on the watch separately.

## **2.11 Voice assistant**

After the watch is connected to the calling/audio Bluetooth of your mobile phone, you can wake up the phone's voice assistant feature with a double-click on the watch. (for example, iOS phone is Siri, Android phone is the voice assistant).

## **2.12 Flashlight**

Tap the flashlight icon, the watch screen will be fully lit to achieve the flashlight effect.

## **3.0 Female assistants**

To check the status of women's menstrual period, you can view the data of the last time of menstrual period, such as the length of the menstrual period, and the number of days between menstrual periods in the app.

## **3.1 Menu style**

There are a variety of menu styles to choose from.

## **3.2 Settings**

- 1) You can select the watch language on the settings of the watch, or the watch language can be synchronized with your mobile phone language after the watch successfully binds to the APP.
- 2) Switch the watch face, swipe to the right to view the next watch face, select a watch face, and click it to set the watch face.
- 3) Set screen time; a variety of screen time lengths can be selected.
- 4) Vibration intensity; set reminder vibration intensity.
- 5) Password; a 4-digit password can be set (if you forget the password, please enter 8762 to decrypt the previous password).
- 6) Restore factory settings; click √ to enable the factory reset, and click X to cancel the factory reset.

## **II. APP Binding**

### **1. APP download**

#### **1.1 Scan the QR code to download the APP**



### **1.2 For Android users:**

Search "WearPro" in Google Play or any customized Android Stores to download, pay attention to the phone pop-up box and tap "Agree" to give the permissions to the APP when installing;

### **1.3 For iOS users:**

Search "WearPro" in APP Store to download, pay attention to the phone pop-up box and tap "Agree" to give the permissions to the APP when installing;

After WearPro is installed, the application icon is shown as:



## **2. Connect APP through mobile phone Bluetooth**

### **2.1 Search for Bluetooth name to connect/pair**

Scroll down the watch face, find the icon "About (i)" and click it, and remember the Bluetooth name of the watch; then open the APP WearPro, click on "Device" at the bottom bar, and click on "Search to bind device" to start searching. Find the Bluetooth name of your watch and pair it. If the connection is successful, the Bluetooth icon of the watch will light up green (in the middle of the icon);

### **2.2 Scan QR code to connect/pair**

Scroll down the watch face, find the icon "About (i)" and click it, you can see a QR code for connection, then open the APP WearPro, click on "Device" at the bottom bar, select "Scan to bind device", the pairing box will pop up after scanning the QR code. Click "Pair" to bind the APP to the watch. Remember to agree to the apps notification permissions on the watch;

### **2.3 Connection Precautions**

- 1) If you can't connect to the Bluetooth, see if you can find the Bluetooth name of the watch in the mobile phone settings;
- 2) Check whether the permission of your mobile phone location(GPS) is enabled;
- 3) Whether the watch has been bound by other mobile phones;
- 4) Turn off the Bluetooth on the phone and turn it on again;
- 5) Restart the phone;
- 6) Go to the Bluetooth settings on your mobile phone, find the Bluetooth name of the watch, disconnect with the watch by forgetting the device, then go to the APP to rebind.
- 7) Too many devices connected to the mobile phone can lead to the Bluetooth connection failure of the watch. The number of devices that can connect to a mobile phone is limited, please stay no more than 3 frequently use devices connected to the Bluetooth of a mobile phone.

### **3. Connect to the audio/calling Bluetooth of the watch:**

Open the Bluetooth settings of your mobile phone, swipe to the right when the watch is on the dial interface, click the "BT call" icon, then click "Open" to see the name of the audio/calling Bluetooth. Find the Bluetooth name in the Bluetooth list of the phone and pair; after the audio/calling Bluetooth is connected, the Bluetooth icon of the watch is displayed as (the outer periphery ) lights up in blue;

**Tip:** Based on this connection, make sure to tap on various APP notification synchronization permissions in WearPro settings, to realize synchronously viewing of various messages from mobile phone on the watch; to realize all connection functions(like making a phone call through watch), make sure that the watch is connected to both the APP and the audio Bluetooth of the phone.

### **4. Unbind Bluetooth connection from the APP**

#### **4.1 Android system unbind Bluetooth from the APP**

In the "Device" column of WearPro, scroll down to the "Unbind" and click to unbind the App;

#### **4.2 IOS system unbind Bluetooth from the APP**

In the "Device" column of WearPro, scroll down to "Unbind" and click to unbind the App; then go to the Bluetooth settings of the phone, select the Bluetooth name of the smart watch, and click "Forget this device".

### **5. Unbind audio Bluetooth connection**

To disable the audio Bluetooth connection, find the name of the audio Bluetooth in the Bluetooth settings of the mobile phone, and click "Ignore this device" to unbind all Bluetooth connections with the watch.

### **6. Find the device**

The watch is successfully bound to the app. Click to find the watch on the APP, and the watch will vibrate once when the screen is on.

### **7. Take a photo**

Tap "Take a photo" in the column of "Device" in the app to enable the camera remote control feature on the watch. Tap the camera icon on the watch to control the phone to take a photo, and photos you take will save in the album of the mobile phone.

### **8. Data synchronization**

The watch is successfully bound to the APP, and the data from the watch can be synchronized to the app.

### **9. Tilt your hand to wake the screen**



Wear the watch correctly on your wrist (left/right hand). When you turn on “Tilt to wake” feature on the APP, the watch will light up automatically when you tilt your hand to look at the watch.

## **10. Do not disturb mode**

In the APP, tap “Device” > “More” > “Do not disturb mode”, set the start to end time, such as 12:00 to 14:00, then you won’t receive phone calls and apps notifications on the watch during this period.

## **11. Daily alarm clock**

In the APP, tap “Device” > “More” > “Alarm setting” > “+”, set the alarm time, and the days weekly it will repeat.

## **12. Sedentary reminder**

Set the time period, reminder frequency, and repeat mode to decide how you would like to have sedentary reminders.

## **13. Drink water reminder**

Set the time period, reminder frequency, and repeat mode to decide how you would like to have the drink water reminders.

## **14. Watch face push**

### 14.1 Push an existing watch face

Bind the watch and the app, open the app, tap Device > Watch face push, the watch will restart and bind the APP automatically after the synchronization of the watch face.

### 14.2. Customize the watch face

Bind the watch and the app, open the app, tap Device > Watch face push, the first several watch faces marked with “custom watch faces” are customizable. The watch will restart and bind the APP automatically after the synchronization of the watch face.

## **15. Firmware version**

The version of the watch is displayed on “Firmware upgrade” in the column of “Device”, and users can decide to whether upgrade the firmware version.

## **16. QR code of Alipay payment**

The watch has the feature of Alipay, which requires the phone to scan the code to verify binding. Follow the steps below:

Click the Alipay icon on the main interface(scroll down screen) of the watch, and complete the binding with your personal Alipay account.

● **Use and maintenance advice**

- 1. Keep the device clean;**
- 2. Keep the device dry;**
- 3. Wear the watch correctly, do not wear the device too tightly;**
- 4. Avoid prolonged exposure to extreme temperatures that are too cold or too hot, which may cause permanent damage to the device.**

● **Frequently asked questions and answers**

**\*Why can't I wear the watch to take a hot bath?**

The temperature of the bathwater is relatively high, which will produce a lot of water vapor, and the molecular radius of water vapor is small, so it is easy to penetrate through the gap of the watch case. When the temperature is cooling down, water vapor will turn back to the water, causing the short-circuit of the watch possibly.

**\*Unable to turn on and charge**

If the watch does not turn on when you receive it, it may be that a collision during the transportation leads to the protection of the battery board. Charge the watch to activate it.

If the watch battery is too low, or can not turn on for being not used for a long time, please charge it for more than half an hour to activate it.

**Warranty description:**

**1.If there are any quality problems caused by manufacturing, materials, design, etc. in normal use, the motherboard of the watch is guaranteed for repair for free within one year, while the battery and charger within half a year from the date of purchase.**

**2. No warranty is provided for failures caused by the user's personal reasons, as follows:**

- 1). Failure caused by unauthorized disassembly or modification of the watch.**
- 2). Failure caused by accidental fall during use.**
- 3). All man-made damages or the third party's fault, or misuses (such as: water in the device, cracking by external force, scratches on the case, damage, etc.) are not covered in the warranty.**
- 3. When requesting the warranty service, please provide a warranty card with the date of purchase and the stamp of the place of purchase on it.**
- 4. When the user needs the device repaired, please take the device to our company or our company's dealership.**
- 5. All functions of the device please refer to the actual product.**

**Purchase date:**

**IMEI code:**

**Where to buy:**

**Customer Signature:**

**Signature of Store Clerk:**

**Stamp of Store:**

**FCC Caution:**

This device complies with part 15 of the FCC Rules. Operation is subject to the following two conditions: (1) This device may not cause harmful interference, and (2) this device must accept any interference received, including interference that may cause undesired operation.

Any changes or modifications not expressly approved by the party responsible for compliance could void the user's authority to operate the equipment.

NOTE: This equipment has been tested and found to comply with the limits for a Class B digital device, pursuant to Part 15 of the FCC Rules. These limits are designed to provide reasonable protection against harmful interference in a residential installation. This equipment generates, uses and can radiate radio frequency energy and, if not installed and used in accordance with the instructions, may cause harmful interference to radio communications. However, there is no guarantee that interference will not occur in a particular installation.

If this equipment does cause harmful interference to radio or television reception, which can be determined by turning the equipment off and on, the user is encouraged to try to correct the interference by one or more of the following measures:

- Reorient or relocate the receiving antenna.
- Increase the separation between the equipment and receiver.
- Connect the equipment into an outlet on a circuit different from that to which the receiver is connected.
- Consult the dealer or an experienced radio/TV technician for help.

The device has been evaluated to meet general RF exposure requirement. The device can be used in portable exposure condition without restriction.

Hereby, Shenzhen Xinkeying Technology Co., Ltd declare that the radio equipment type Product Name is compliance with Directive 2014/53/EU.

This device was tested for operations. To comply with RF exposure requirements, a minimum separation distance of 0mm must be maintained between the user's body and the handset, including the antenna. Third-party belt-clips, holsters, and similar accessories used by this device should not contain any metallic components. Body-worn accessories that do not meet these requirements may not comply with RF exposure requirements and should be avoided. Use only the supplied or an approved antenna. This device in compliance with the essential requirements and other relevant provisions of Directive 2014/53/EU. All essential radio test suites have been carried out.

1. Use careful with the earphone maybe possible excessive sound pressure from earphones and headphones can cause hearing loss.

2. CAUTION : RISK OF EXPLOSION IF BATTERY IS REPLACED BY AN INCORRECT TYPE.

DISPOSE OF USED BATTERIES ACCORDING TO THE INSTRUCTIONS

3.The product shall only be connected to a USB interface of version USB 2.0

4. Adapter shall be installed near the equipment and shall be easily accessible.

5. The plug considered as disconnect device of adapter

6. The device complies with RF specifications when the device used at 0mm form your body

7. There are no restrictions on the use of the product in all EU countries.



# Shenzhen Xinkeying Technology Co., Ltd

I hereby declare that the product

Product name: Smart Watch

Model name: DT103

Series model: DT103Mini, DT103Max, DT103Pro, DT103ProMax

Trademark: DT NO.I

HW: V1.0

SW: V1.0.0

---

(Name of product, type or model, batch or serial number)

satisfies all the technical regulations applicable to the product within the scope of Council Directives 2014/53/EU, 2014/35/EU and 2014/30/EU: and declare that the same application has not been lodged with any other notified body.

ETSI EN 300 328 V2.2.2: 2019-07

ETSI EN 301 489-1 V2.2.3 (2019-11)  
ETSI EN 301 489-17 V3.2.4 (2020-09)

EN 55032: 2015+A1: 2020  
EN 55035: 2017+A11: 2020  
EN IEC 61000-3-2: 2019+A1: 2021  
EN 61000-3-3: 2013+A2: 2021

EN 62368-1:2014+A11:2017

EN 62479:2010  
(Title(s) of regulations, standards, etc.)

**All essential radio test suites have been carried out.**

**NOTIFIED BODY:** MiCOM Labs Inc

– **Address:**

575 Boulder Court,  
Pleasanton, California 94566  
USA  
Identification Number: 2280

**MANUFACTURER or AUTHORISED REPRESENTATIVE:**

– **Address:**

Shenzhen Xinkeying Technology Co., Ltd

Floor 8, Area C, Dazu Innovation Building, Beihuan Avenue No.9018 , SongPingShan  
Community, Xili Street, Nanshan District, Shenzhen

This declaration is issued under the sole responsibility of the manufacturer and, if applicable,  
his authorised representative.

**Point of contact:**

Company: Shenzhen Xinkeying Technology Co., Ltd

Telephone : 13692238982


Fax: 0755-8656 2650

(Name, telephone and fax number)

Floor 8, Area C, Dazu Innovation Building,  
Beihuan Avenue No.9018 , SongPingShan  
Community, Xili Street, Nanshan District,  
Shenzhen

(Place, date of issue)

07.22.2022



(Signature)

Meng ting Chen / Project business

(Name and title in block letters)