

天线规格书

Antenna Sample Confirmation From

供应商名称 Vendor Name	深圳市艾汇科技有限公司 ShenZhen Aihui Technology Co., Ltd				
客户名称 Customer Name	皓擎				
样品名称 Sample Name	M7				
产品型号 Part Number					
样品规格 Specification	丝印 M7-2.4/5.8WIFI-AH 线长: 30mm (0.81) 3代				
检验项目 Inspection Item	性能测试 Performance	外观检查 Total Appearance	结构 structure	其它 Others	检验结果 Inspection Result
备注 Remark					
品质审核 QA Audit		工程审核 Engineer Audit		业务确认 Sales Confirm	
以下由客户填写 The following are filled by Customer					
客户意见 Customer Evaluation					
客户签字/盖章 Signation/ Chapter by Customer	日期/date: 2023. 06. 27				

Antenna Test Report

测试单位: 深圳市艾汇科技有限公司 Test by: ShenZhen Aihui Technology Co., Ltd			
材料 Material	FPC		
天线类型 Antenna Type	MonopoleType	极化方式 Polarization mode	Linear
应用场景 Application			
工作频段 Band	2.4G/5.8GWIFI /BT	VSWR	≤2
功率 Power	Max: 2W	阻抗 Impedance	50Ω
增益 dBi	≥1dBi		
测试设备 Test Equipment	HPE5071C、Shielding Room、3D automatic turntable		
<p>Antenna Description::</p> <p>1. Grounding processing and picture description: no</p> <p>2. Need to change the motherboard to match: no</p> <ul style="list-style-type: none">● Test voltage: 3.6V, check the antenna contact is good before testing.● The RF cable of the integrated tester is kept in a natural state and can not be curled. <p>Specification:test the specified power level, all indicators must conform to the specifications.</p>			

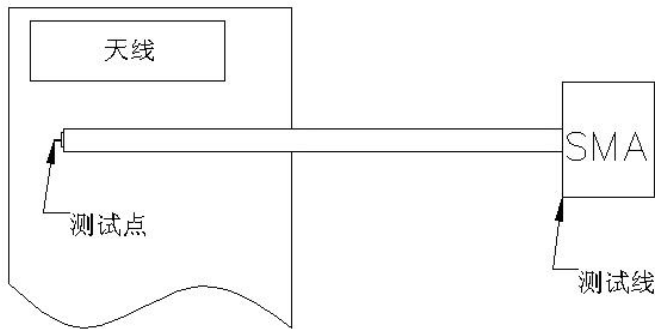
Shenzhen Aihui Technology Co., LTD

Note: The customer's final verification antenna performance prototype is retained in our company for at least one year to facilitate the analysis and solution of antenna mass production

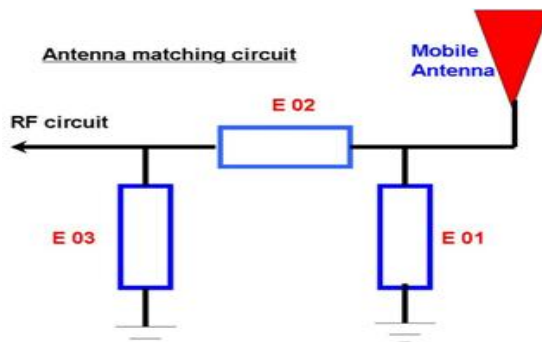
Test tool

Objective: To test the passive parameters of antenna as accurately as possible.

Production method: The hand mechanism is a 50 ohm coaxial cable, one end of which is connected to the test point at the back end of the matching circuit (front end of the RF test hole) of the mobile phone motherboard, and the other end is connected to the SMA connector. The diagram is as follows:



Antenna matching circuit



Modify

E01	E02	E03
No	No	No

Shenzhen Aihui Technology Co., LTD

Antenna active test data

Frequency Band	2.4G-WIFI B模			2.4G-WIFI G模		
channel	L	M	H	L	M	H
TRP	10.24	10.14	10.25	8.46	8.28	8.31
TIS			-79.43			-67.29
Frequency Band	2.4G-WIFI N模			5.8G-WIFI A模		
channel	L	M	H	L	M	H
TRP	8.36	8.57	8.14	8.34	8.29	8.17
TIS			-67.17			-68.37

Antenna passive test data

Gain&Efficiency			
frequency	gain	efficiency	efficiency
频率(Hz)	增益(dB)	效率(dB)	效率
5050M	1.56	-3.47	54.54%
5100M	1.62	-3.43	54.15%
5150M	1.44	-3.86	56.25%
5200M	1.36	-3.17	56.38%
5250M	1.51	-2.97	57.23%
5300M	1.61	-3.13	56.66%
5350M	1.63	-3.55	55.73%
5400M	1.35	-3.02	57.62%
5450M	1.47	-3.34	56.38%
5500M	1.43	-3.43	54.83%
5550M	1.58	-3.24	56.52%
5600M	1.57	-3.61	56.71%
5650M	1.37	-3.88	54.10%
5700M	1.8	-3.79	54.83%
5750M	1.74	-4.1	52.19%
5800M	1.64	-4.22	51.24%
5850M	1.49	-4.31	50.28%

Gain&Efficiency			
frequency	gain	efficiency	efficiency
频率(Hz)	增益(dB)	效率(dB)	效率
2400M	1.36	-3.96	51.47%
2410M	1.32	-3.88	52.16%
2420M	1.14	-3.93	51.11%
2430M	1.52	-3.97	53.21%
2440M	1.26	-3.85	51.03%
2450M	1.39	-3.84	52.41%
2460M	1.33	-3.96	53.74%
2470M	1.48	-3.92	52.38%
2480M	1.53	-3.91	51.37%
2490M	1.23	-4.25	50.28%
2500M	1.34	-4.16	50.66%

