

Antenna Specifications

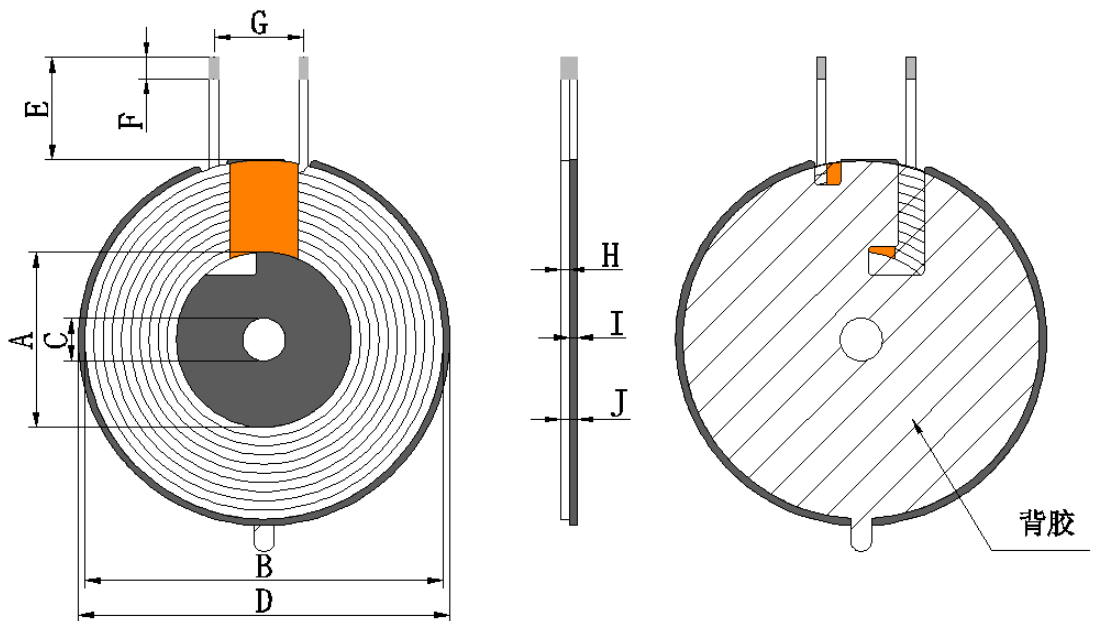
1. Model number: 20.5*42*0.08*105P*10TS*10mm

2. Manufacture:

DONGGUAN KIMCHEN INDUSTRY INTL LIMITED

152 Wanchang Road Section, Taigongling Village, Dalingshan Town, Dongguan City

3. Floor plan: unit: MM



A	B	C	D	E	F	G	H	I	J
20.5±0.5	42±1	5.0±0.5	43.5±0.5	10±1	3±1	1.0±0.2	1.25MAX	1.0±0.1	2.8max

4. Product parameters

Antenna Gain: 0dBi

Line diameter: 0.08*105P

Number of turns: 10TS

