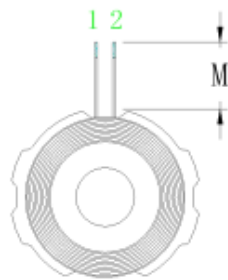
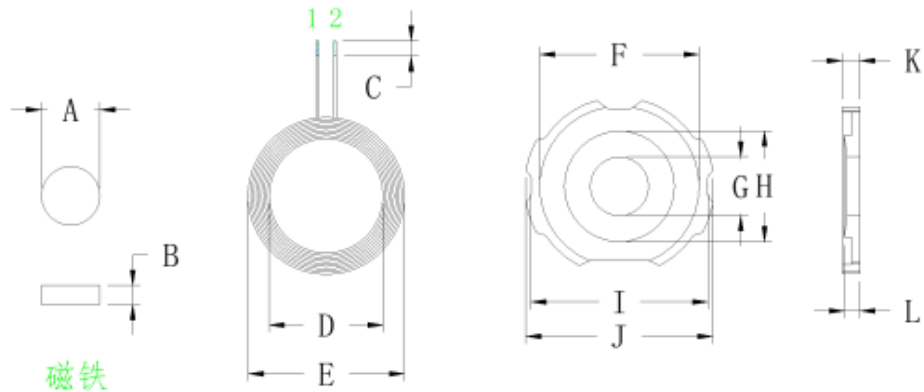


## Antenna Specifications

1. Model number: RC- G25-7.7~8.0UH-3300GS-7MM
2. Manufacture: Dongguan Ceris Technology Co., LTD
3. Floor plan: unit: MM



A	$7.7 \pm 0.05$
B	$2.5 \pm 0.1$
C	$2 \pm 1$
D	$14 \pm 0.2$
E	$20.5 \pm 0.5$
F	$2.1 \pm 0.2$
G	$7.7 \pm 0.1$
H	$13.5 \pm 0.2$
I	$23.5 \pm 0.3$
J	$25 \pm 0.3$
K	$2.55 \pm 0.1$
L	$2.3 \pm 1$ 中柱高度
M	$7 \pm 1$

#### 4. Product parameters

Antenna Gain: 0dBi

Line diameter: 0.08\*24P

Number of turns: 14

