

正面

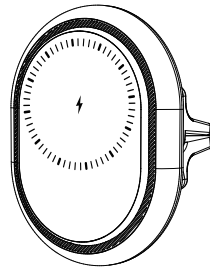
Car wireless charging bracket



Model:W112

User Manuals

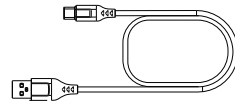
Packing list



Car Magnetic Wireless Charger

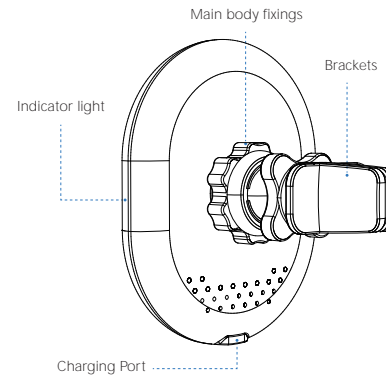


45W Adapter



USB-A to USB-C Charging Cable (1m)

Product Description

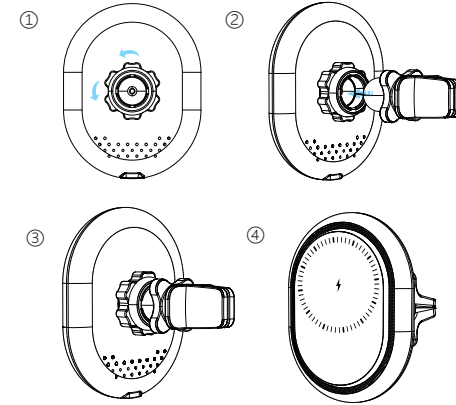


Specification yield

Model: W112
Input: 5V/3A 9V/2A
Output: 15W/10W/7.5W/5W

How to install the bracket

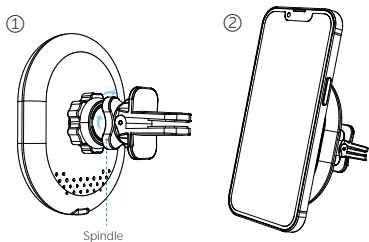
The correct installation method of the product: Step① turn the shaft fixing piece to the left a little loosely.Step② insert the bracket round ball part into the main body fixing.Step③ rotate the shaft fixing to the right until it is completely fixed.Step④ Complete the installation of the bracket.



反面

How to use the product

After the bracket is installed: step ① rotate the shaft of the clamp to the right, the clamp mouth open, step ② will open the clamp mouth on top of the car vent, rotate to the left to narrow the clamp mouth clamping the vent, and then put the phone into the wireless phone.The second step will open the mouth of the clip in the car above the air outlet, rotate to the left to narrow the mouth of the clip to clamp the air outlet, Then place the phone on top of the wireless charger and connect it to the power supply to finish charging . (Note: the wireless charger on the blue and green lights for 3 seconds off, standby green light is always on, charging When the blue light breathing slow flashing, full then light out, charging abnormal flashing green light)



Compatible Models

1. For iPhone

iPhone 14,iPhone 14 Plus,iPhone 14 Pro,iPhone 14 Pro Max,iPhone 13, iPhone 13 Pro, iPhone 13 Pro Max,Phone 13 mini,iPhone 12,iPhone 12 mini, iPhone 12 Pro,iPhone 12 Pro Max

Warm Tips

Please pay attention to the following issues, otherwise it may cause irregular charging, high charging temperature, intermittent charging, or even no charging.

1. **Not compatible with devices other than Apple, such as Samsung.**
2. Please place your phone in the correct charging area.
3. The charging distance is 2-8 mm, please do not wear a protective cover thicker than 3 mm.
4. No metal or magnetic objects in the center 6 cm of the back of the phone during charging.
5. The lower the temperature, the faster the charging speed.
6. Charging speed is faster in winter than in summer.
7. Please do not charge in a hot and humid environment to avoid damaging the circuit.
8. Please put it out of reach of children to avoid unnecessary accidents.
9. Make sure to use the original charging cable and adapter.

About the FCC

This equipment complies with FCC radiation exposure limits set forth for an uncontrolled environment. This equipment should be installed and operated with minimum distance 20cm between the radiator & your body.

This device complies with part 15 of the FCC rules operation is subject to the following two conditions:

- (1)this device may not cause harmful interference.
- (2)this device must accept any interference received including interference that may cause undesired operation.

FCC Warning:

Any changes or modifications not expressly approved by the party responsible for compliance could void the user's authority to operate the equipment.

Note: This equipment has been tested and found to comply with the limits for a Class B digital device, pursuant to part 15 of the FCC Rules. These limits are designed to provide reasonable protection against

harmful interference in a residential installation. This equipment generates uses and can radiate radio frequency energy and if not installed and used in accordance with the instructions may cause harmful interference to radio communications.

However there is no guarantee that interference will not occur in a particular installation.If this equipment does cause harmful interference to radio or television reception which can be determined by turning the equipment off and on. The user is encouraged to try to correct the interference by one or more of the following measures:
-Reorient or relocate the receiving antenna.
-Increase the separation between the equipment and receiver.
-Connect the equipment into an outlet on a circuit different from that to which the receiver is connected.
-Consult the dealer or an experienced radio/TV technician for help.