

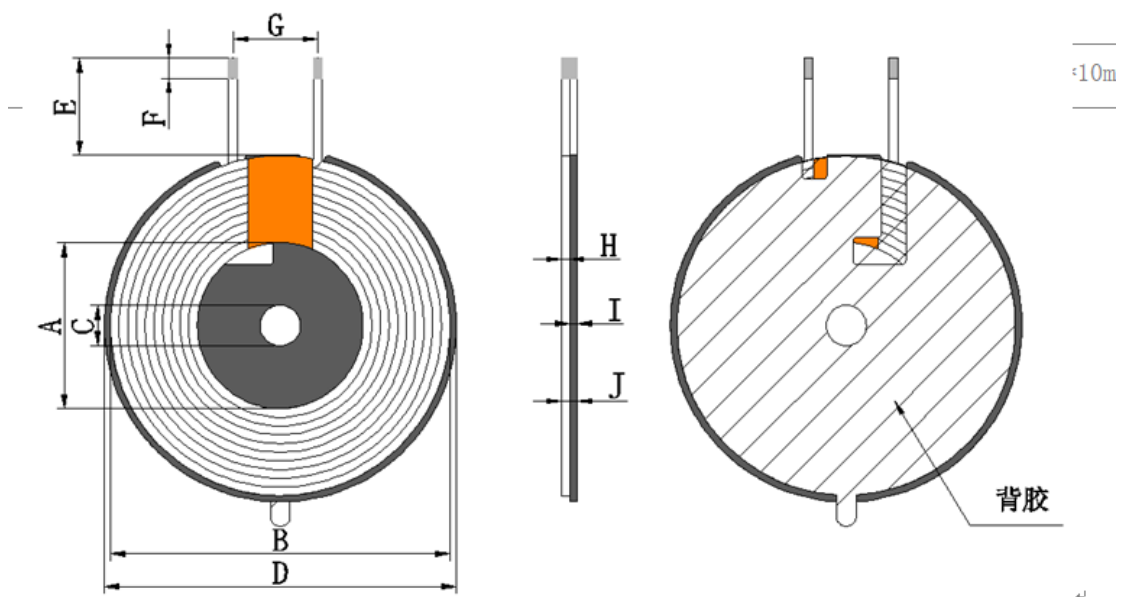
Antenna Specifications

1. Manufacture:

DONGGUAN KIMCHEN INDUSTRY INTL LIMITED
 152 Wanchang Road Section, Taigongling Village, Dalingshan Town, Dongguan City

2. Model number: 20.5*42*0.08*105P*10TS*40mm

3. Floor plan: unit: MM



A	B	C	D	E	F	G	H	I	J
20.5±0.5	42±1	5.0±0.5	43.5±0.5	40±1	3±1	10±2	1.25max	1.0±0.1	2.8max

4. Product parameters

Antenna Gain: 0dBi

Line diameter: 0.08x105

Number of turns: 10

