

# G806 Instruction manual

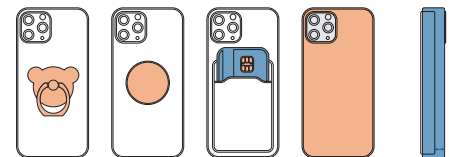


## 5 in 1 Magnetic Charging Station

### Wireless Charging Guide

Please use the DC Power port Adapter.

#### Charging with Cases

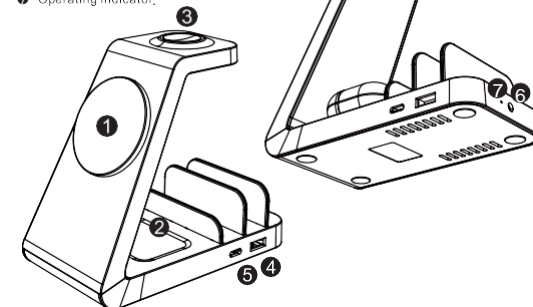


Apple's official magnetic phone case



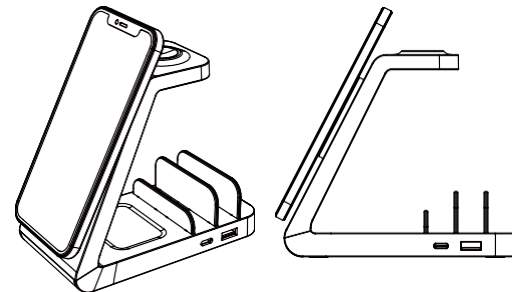
### 1. Introduction:

- ① Magnetic Wireless charging area for Mobile phone.
- ② Wireless charging area for Bluetooth headset.
- ③ Wireless charging area of iWatch.
- ④ USB-A output port.
- ⑤ USB-C output port.
- ⑥ DC power input port.
- ⑦ Operating indicator.

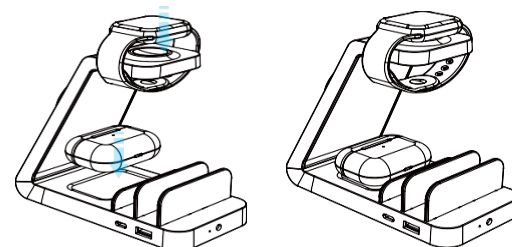


### 2. Operation instructions:

2.1 Charging the mobile phone: Put the mobile phone upright in the magnetic wireless charging area of mobile phone, and you can see the "Charging indicator" on the display of the mobile phone, showing that it is being charged properly.



2.2 Charging the iWatch: Put the iWatch on the wireless charging area of iWatch, and align the magnets; the "Charging indicator" on the iWatch will light up, indicating that it is being charged properly.



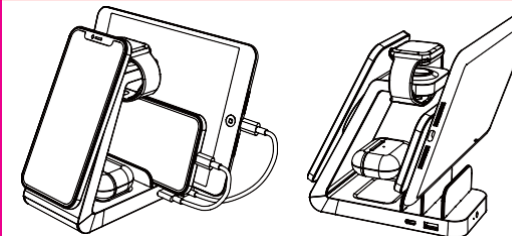
2.3 Charging for Airpod: Put the headset flat on the other side of the wireless charger area to charge, and see that the charging indicator of the Bluetooth headset lights up, indicating normal charging.

2.4 USB A port charging area.

2.5 USB C port charging area.

2.6 This product needs to use 12V-3A DC interface adapter for power supply, and needs to be connected to the DC head interface: The indicator on the product bottom flashes three times and standby and flashes off, indicating that the power has been turned on.

2.7 Wireless charging indicator: The blue indicator is always on during the mobile phone on charging; The blue indicator is off when the mobile phone not be charged; When charging fails, the working indicator will flash.



### 3. Specifications:

Name	5 in 1 Magnetic Charging Station	Model	G806
Product size	146.6 * 75.9 * 130 (mm)	Power Supply Port	DC socket
Input	12V 3A	Output Power	36W(Max)

### 4. Matters needing attention

4.1 When charging the device, do not use a protective cover with a thickness of more than 5mm, and do not use a protective cover with a metal sheet.

4.2 Do not put metal foreign objects in the charging area.

4.3 When charging, please aim the device at the center of the charging area.

### FCC Warning:

This device complies with part 15 of the FCC Rules. Operation is subject to the following two conditions: (1) This device may not cause harmful interference, and (2) this device must accept any interference received, including interference that may cause undesired operation.

Any changes or modifications not expressly approved by the party responsible for compliance could void the user's authority to operate the equipment.

NOTE: This equipment has been tested and found to comply with the limits for a Class B digital device, pursuant to Part 15 of the FCC Rules. These limits are designed to provide reasonable protection against harmful interference in a residential installation. This equipment generates, uses and can radiate radio frequency energy and, if not installed and used in accordance with the instructions, may cause harmful interference to radio communications. However, there is no guarantee that interference will not occur in a particular installation.

If this equipment does cause harmful interference to radio or television reception, which can be determined by turning the equipment off and on, the user is encouraged to try to correct the interference by one or more of the following measures:

- Reorient or relocate the receiving antenna.
- Increase the separation between the equipment and receiver.
- Connect the equipment into an outlet on a circuit different from that to which the receiver is connected.
- Consult the dealer or an experienced radio/TV technician for help.

### FCC Radiation Exposure Statement

This equipment complies with FCC radiation exposure limits set forth for an uncontrolled environment. This equipment should be installed and operated with a minimum distance of 20 cm between the radiator and your body.

