

# G805

## User Manual

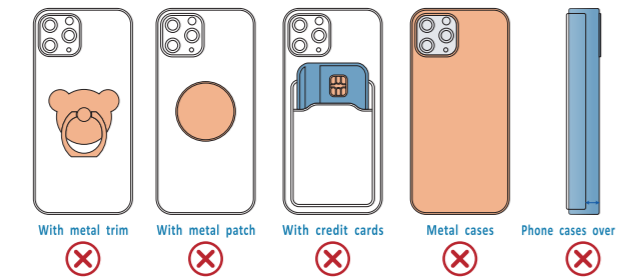


### 5-in-1 Wireless Charging Station

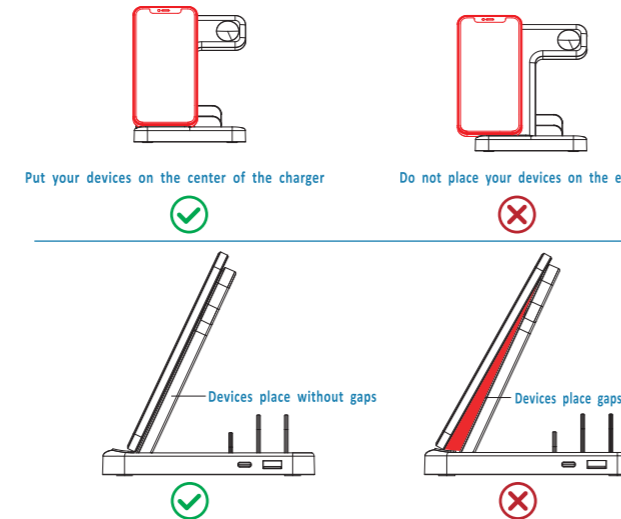
### Wireless Charging Guide

Please use the USB-A Adapter that comes with the package or the fast charger 2.0 or 3.0 chargers with USB-A ports are recommended.

#### Charging with Cases

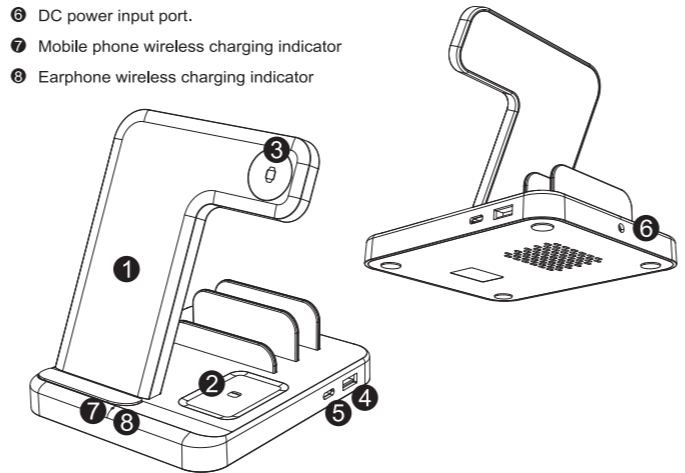


#### Correct charging tips



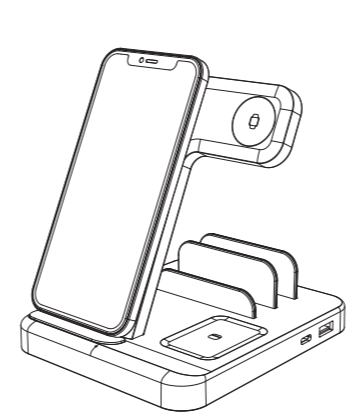
#### 1. Introduction:

- ① Mobile phone wireless charging area.
- ② Bluetooth headset wireless charging area.
- ③ Apple Watch wireless charging area.
- ④ USB-A output port.
- ⑤ USB-C output port.
- ⑥ DC power input port.
- ⑦ Mobile phone wireless charging indicator
- ⑧ Earphone wireless charging indicator

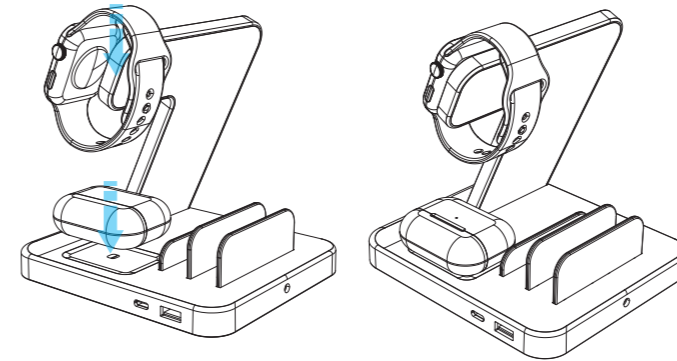


#### 2. Operating instructions:

2.1 Mobile phone charging area: Place your mobile phone vertically in the mobile phone wireless charging area and the charging indicator on the display of your mobile phone lighting up, showing that your mobile phone is charging.



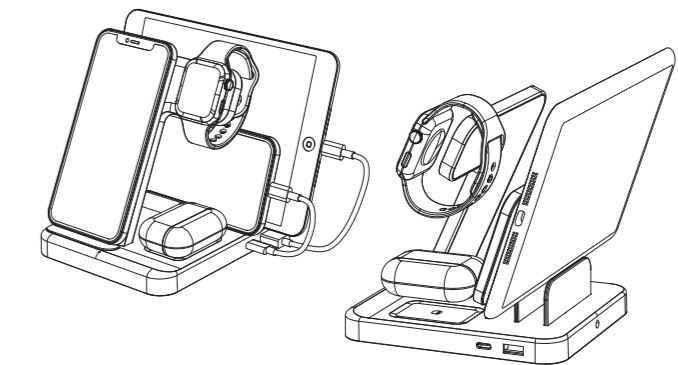
2.2 Charging the watch: Put the watch on the wireless charging area, and align the magnets; the "Charging indicator" on the watch will light up, indicating that it is being charged properly.



2.3 Wireless bluetooth headset charging area: Put the bluetooth headset in the wireless charging area, you can see the indicator light up on the earphone, showing that the earphone is charging.

2.4 USB A port charging area.  
(1) Insert the supporting USB A-C port data cable into the power supply port of the device. The output end of port C of the cable can charge mobile phones with type\_c port (such as Android phones), type\_c earphones, and other devices with type\_c port  
(2) Insert the supporting USB A-Lightning connector cable into the power supply port of the device. The Lightning connector output cable can charge iPhone and other devices.

2.5 USB C port charging area.  
(1) Insert the supporting USB C-C port cable into the power supply port of the device. The output C port can charge type\_c devices (such as Android phones), iPad with type\_c port, earphones with type\_c port etc.  
(2) Insert the supporting USB C-Lightning cable into the power supply port of the device. The output of the Lightning cable can charge the iPad with Lightning connector for devices with Apple (such as iPhones and earphones).



2.6 The product uses a 12V-3A DC port adapter for power supply and is connected to the DC port of the product. If the base indicator blinks three times and then off, it indicates that the power supply is connected.

2.7 Mobile phone wireless charging indicator: The blue indicator is always on while the phone is being charged. The blue indicator light is off when the phone is not charged. When the charging abnormal or fault, the indicator will blink.

#### 3. Specification parameter:

Name	5 in 1 Charging Station	Model	G805
Product size	124.98*144.98*142.4(mm)	Power Supply Port	DC socket
Input	12V 3A	Output Power	36W(Max)

#### 4. Attention

- 4.1 Do not use a case that is more than 5mm thick or with metal in it when charging your device
- 4.2 Do not place metal foreign bodies in the charging area
- 4.3 When charging, please align the device with the center of the charging area

#### **5.FCC Warning**

This device complies with part 15 of the FCC Rules. Operation is subject to the following two conditions: (1) This device may not cause harmful interference, and (2) this device must accept any interference received, including interference that may cause undesired operation.

Any changes or modifications not expressly approved by the party responsible for compliance could void the user's authority to operate the equipment.

NOTE: This equipment has been tested and found to comply with the limits for a Class B digital device, pursuant to Part 15 of the FCC Rules. These limits are designed to provide reasonable protection against harmful interference in a residential installation. This equipment generates, uses and can radiate radio frequency energy and, if not installed and used in accordance with the instructions, may cause harmful interference to radio communications. However, there is no guarantee that interference will not occur in a particular installation.

If this equipment does cause harmful interference to radio or television reception, which can be determined by turning the equipment off and on, the user is encouraged to try to correct the interference by one or more of the following measures:

- Reorient or relocate the receiving antenna.
- Increase the separation between the equipment and receiver.
- Connect the equipment into an outlet on a circuit different from that to which the receiver is connected.
- Consult the dealer or an experienced radio/TV technician for help.

#### **FCC Radiation Exposure Statement**

This equipment complies with FCC radiation exposure limits set forth for an uncontrolled environment. This equipment should be installed and operated with a minimum distance of 20 cm between the radiator and your body.