

G803

Instruction manual

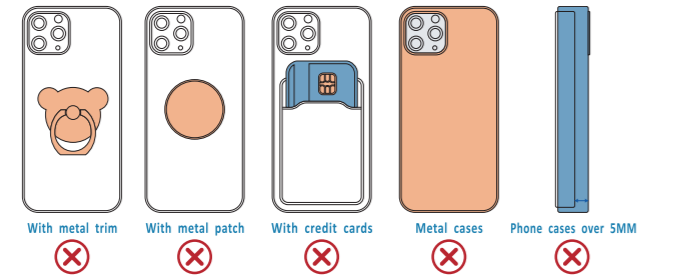


5 in 1 Charging Station

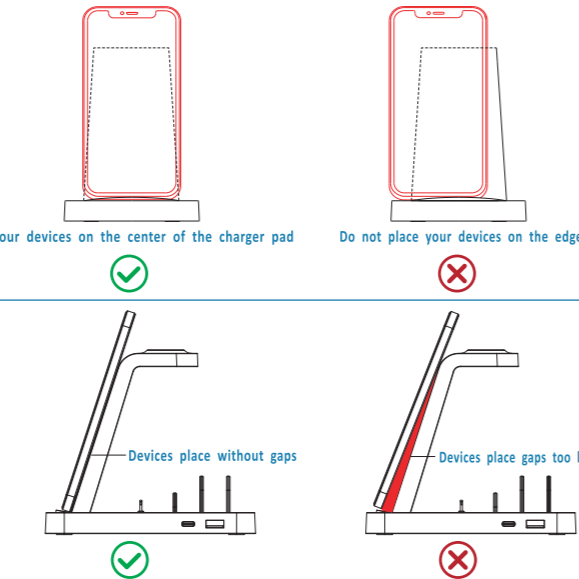
Wireless Charging Guide

Please use the USB-A Adapter that comes with the package or the quick charger 2.0 or 3.0 chargers with USB-A ports are recommended.

Charging with Cases

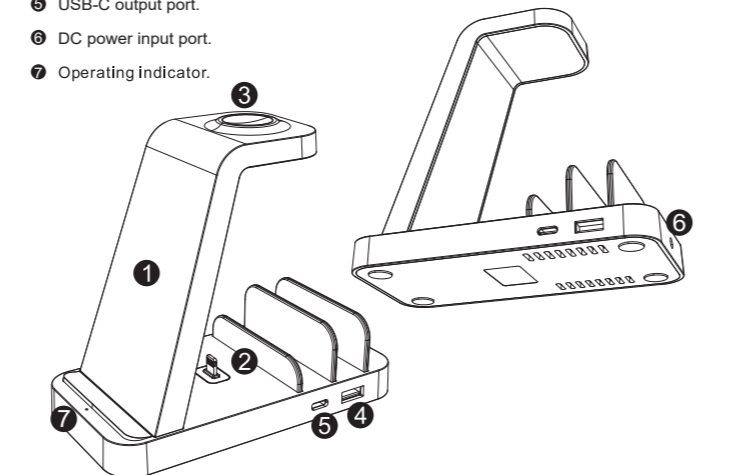


Correct charging tips



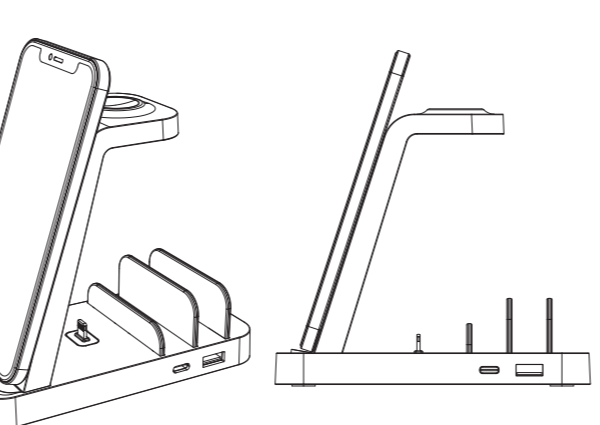
1. Introduction:

- ❶ Wireless charging area of mobile phone.
- ❷ Charging plug of Bluetooth headset.
- ❸ Wireless charging area of watch.
- ❹ USB-A output port.
- ❺ USB-C output port.
- ❻ DC power input port.
- ❼ Operating indicator.

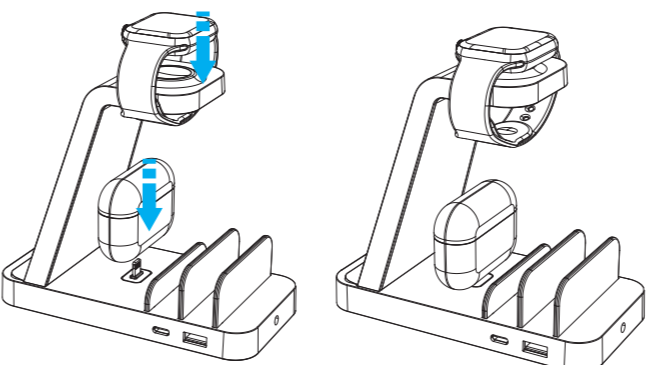


2. Operation instructions:

2.1 Charging the mobile phone: Put the mobile phone upright in the wireless charging area of mobile phone, and you can see the "Charging indicator" on the display of the mobile phone, showing that it is being charged properly. (Attention: The phone cannot be charged when placed horizontally)



2.2 Charging the watch: Put the watch on the wireless charging area of watch, and align the magnets; the "Charging indicator" on the watch will light up, indicating that it is being charged properly.



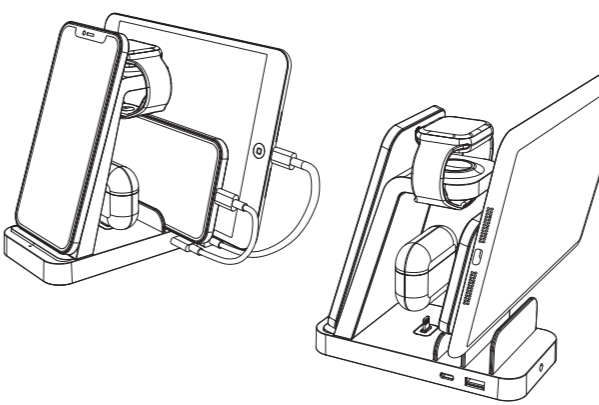
2.3 Charging the Bluetooth headset: Insert the plug to the Bluetooth headset charging compartment (Attention: If a thick silicone protective cover is provided on the headset charging compartment, it may cause poor contact and failure to charge, please remove the silicone protective cover before charging).

2.4 USB A port charging area.

2.5 USB C port charging area.

2.6 This product needs to use 12V-3A DC interface adapter for power supply, and needs to be connected to the DC head interface ; The indicator on the product bottom flashes three times and standby and flashes off, indicating that the power has been turned on.

2.7 Wireless charging indicator: The blue indicator is always on during the mobile phone on charging; The blue indicator is off when the mobile phone not be charged; When charging fails, the working indicator will flash.



3. Specifications:

Name	5 in 1 Charging Station	Model	G803
Product size	100 *114.5 * 131.7 (mm)	Power Supply Port	DC socket
Input	12V --- 3A	Output Power	36W(Max)
iPhone Wireless charging output	7.5W/10W/15W		
Watch Wireless charging output	3W	Headset output	3W
Phone output	5W	iPad output	10W

4. Matters needing attention

- 4.1 When charging the device, do not use a protective cover with a thickness of more than 5mm, and do not use a protective cover with a metal sheet.
- 4.2 Do not put metal foreign objects in the charging area.
- 4.3 When charging, please aim the device at the center of the charging area.

5. FCC WARNING

This device complies with part 15 of the FCC Rules. Operation is subject to the following two conditions: (1) this device may not cause harmful interference, and (2) this device must accept any interference received, including interference that may cause undesired operation.

Any changes or modifications not expressly approved by the party responsible for compliance could void the user's authority to operate the equipment.

NOTE: This equipment has been tested and found to comply with the limits for a Class B digital device, pursuant to Part 15 of the FCC Rules. These limits are designed to provide reasonable protection against harmful interference in a residential installation. This equipment generates, uses and can radiate radio frequency energy and, if not installed and used in accordance with the instructions, may cause harmful interference to radio communications. However, there is no guarantee that interference will not occur in a particular installation.

If this equipment does cause harmful interference to radio or television reception, which can be determined by turning the equipment off and on, the user is encouraged to try to correct the interference by one or more of the following measures:

- Reorient or relocate the receiving antenna.
- Increase the separation between the equipment and receiver.
- Connect the equipment into an outlet on a circuit different from that to which the receiver is connected.
- Consult the dealer or an experienced radio/TV technician for help.

To maintain compliance with FCC's RF Exposure guidelines, This equipment should be installed and operated with minimum distance between 20cm the radiator your body: Use only the supplied antenna.