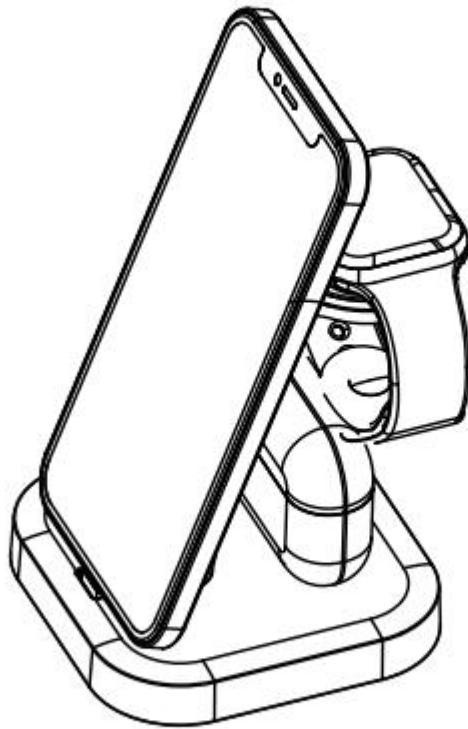


**G630**

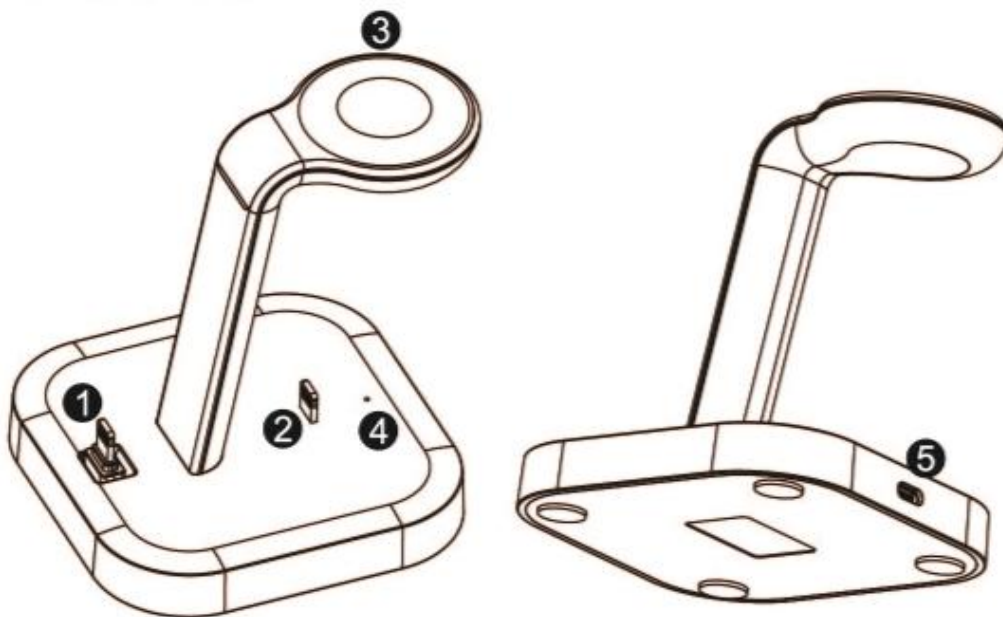
**Instruction Manual**



**3 in 1 Charging Station**

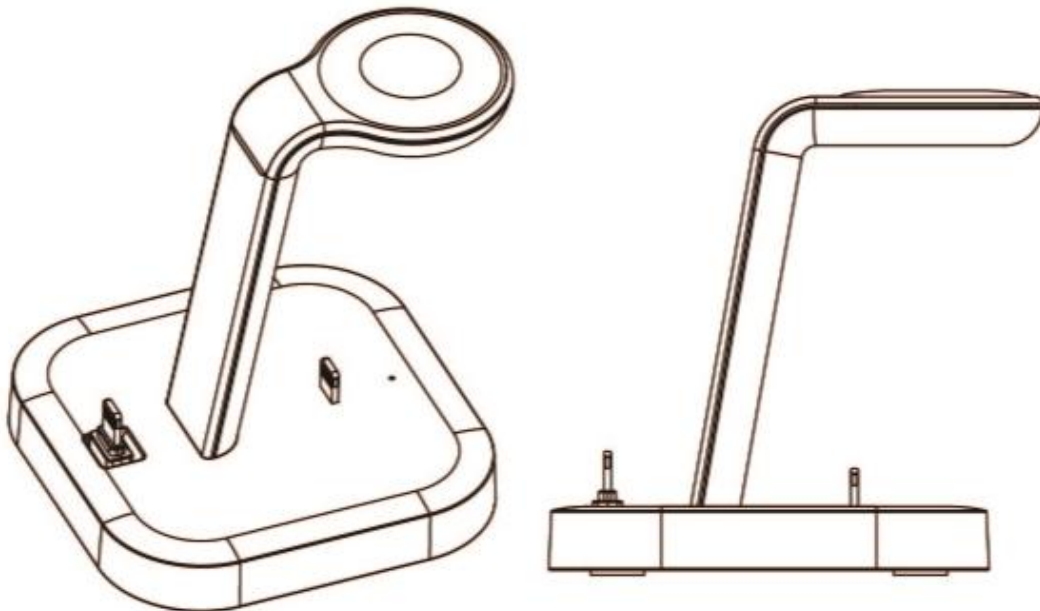
## 1. Introduction:

1. Charging of iPhone.
2. Charging of airpods/airpods pro.
3. Wireless charging area of iWatch.
4. Operating indicator light.
5. TYPE-C Female.

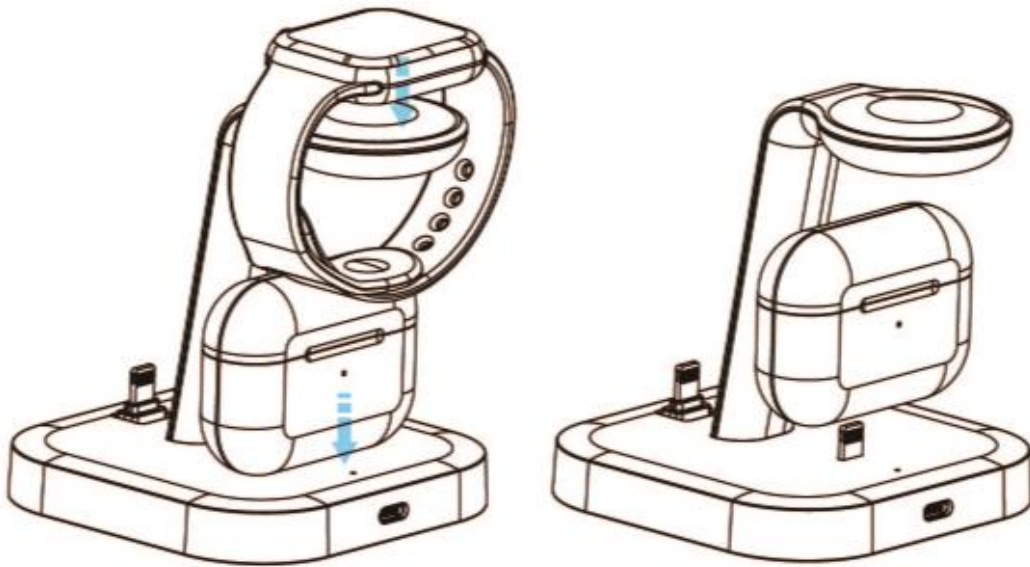


## 2. Operation instructions:

iPhone charging: Plug the mobile phone upright to the position of the iPhone head to charge, and see that the "charging sign" lights up on the screen of the mobile phone, indicating that it is charging normally (Note: The toggle arc of the iPhone head is limited, and the force is moderate when toggled to prevent damage to the mobile phone or mobile phone charging head)



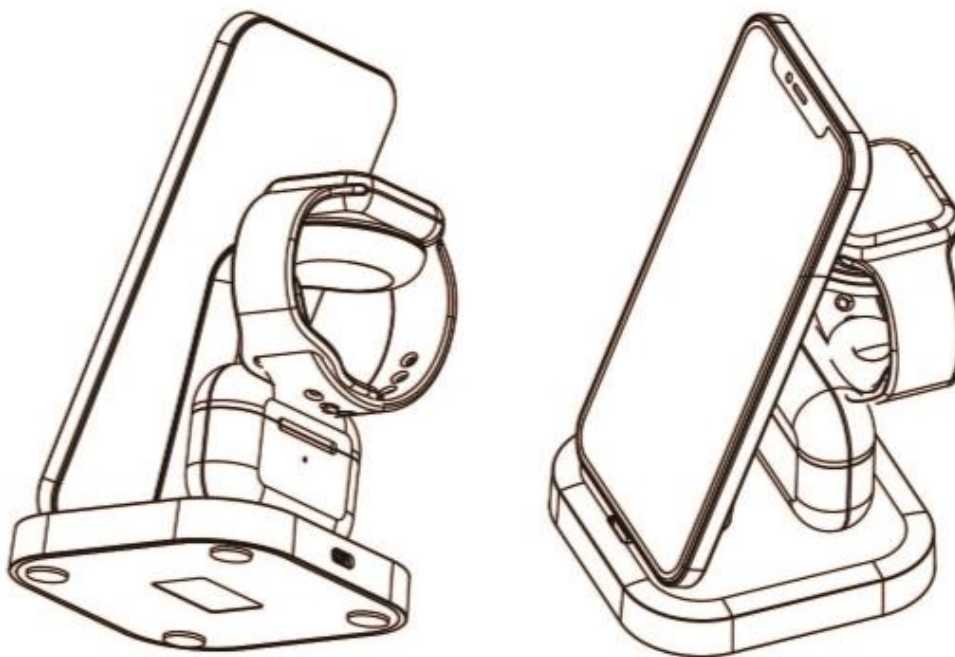
2.2 Bluetooth headset charging: Plug the Bluetooth headset into the iPhone head of the headset to charge (Note: the charging iPhone head of the headset is fixed and cannot be pulled hard to prevent damage to the headset or the charging iPhone head)



2.3 iWatch charging: Put the iWatch on the wireless charging area of the watch, align the magnetic attraction, and the watch will light up the "charging sign", indicating that it is charging normally.

2.4 This product needs to be powered by an adapter with a power  $\geq 12W$ , and is connected to the Type-C port for power supply. When the power indicator blue light is on, it means the power supply is normal.

2.5 Power indicator: The blue indicator is always on when the product is powered on.



### 3. Specifications:

Name	3 in 1 charging station	Model	G630
Product Size	90 x 90 x 98 (mm)	Power supply Port	Type-C
Input	5V $\overline{=}$ 2.4A	Maximum output power	12 W

### 4. Matters needing attention:

4.1 When charging, it is best to use the original 5V/2.4A adapter to prevent the charging speed from being affected.

4.2 Do not put metal foreign objects in the charging area of the iWatch to prevent the device from not charging.

4.3 When charging, please insert the device and the iPhone plug in correct place to prevent the device from not charging.

## FCC WARNING

This device complies with part 15 of the FCC Rules. Operation is subject to the following two conditions: (1) this device may not cause harmful interference, and (2) this device must accept any interference received, including interference that may cause undesired operation.

Any changes or modifications not expressly approved by the party responsible for compliance could void the user's authority to operate the equipment.

NOTE: This equipment has been tested and found to comply with the limits for a Class B digital device, pursuant to Part 15 of the FCC Rules. These limits are designed to provide reasonable protection against harmful interference in a residential installation. This equipment generates, uses and can radiate radio frequency energy and, if not installed and used in accordance with the instructions, may cause harmful interference to radio communications. However, there is no guarantee that interference will not occur in a particular installation. If this equipment does cause harmful interference to radio or television reception, which can be determined by turning the equipment off and on, the user is encouraged to try to correct the interference by one or more of the following measures:

- Reorient or relocate the receiving antenna.
- Increase the separation between the equipment and receiver.
- Connect the equipment into an outlet on a circuit different from that to which the receiver is connected.
- Consult the dealer or an experienced radio/TV technician for help.

To maintain compliance with FCC's RF Exposure guidelines, This equipment should be installed and operated with minimum distance between 20cm the radiator your body: Use only the supplied antenna.