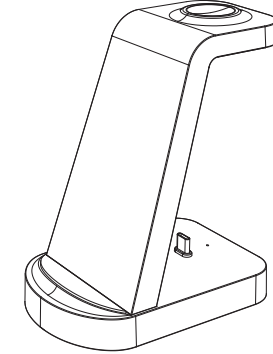


说明书尺寸: 80x80mm 材质: 128g双铜, 4C, 双面印刷, 2折3页

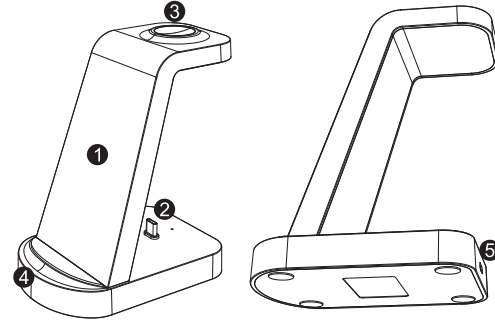
G618C Instruction manual



3 in 1 Fast charge

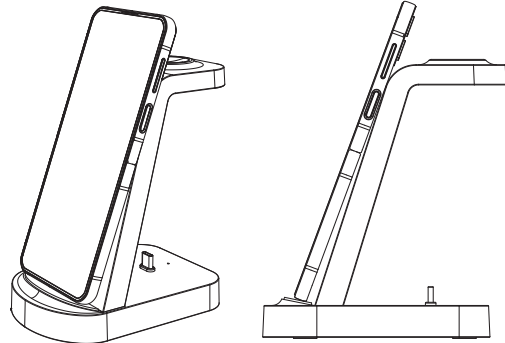
1. Introduction:

1. Wireless charging area of mobile phone
2. Charging for Bluetooth headset with TYPE-C
3. Wireless charging area of SAMSUNG Galaxy Watch3/4/5
4. Operating indicator light.
5. TYPE-C Female

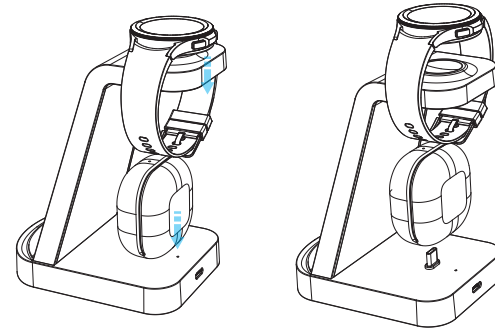


2. Operation instructions:

2.1 Charging the mobile phone: Support the maximum phone thickness. Put the mobile phone upright in the wireless charging area of mobile phone, and you can see the "Charging indicator" on the display of the mobile phone, showing that it is being charged properly. (Attention: The phone cannot be charged when placed horizontally)



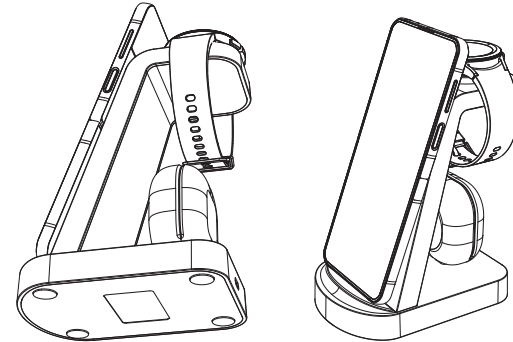
2.2 Bluetooth headset charging: Plug the Bluetooth headset into the charging head of the headset to charge. (Note: the headset charging head is fixed and cannot be pulled hard to prevent damage to the headset or the charging head.)



2.3 Galaxy watch charging: Put the Galaxy watch on the wireless charging area of the watch, align the magnetic attraction, and the watch will light up the "charging sign", indicating that it is charging normally.

2.4 This product needs to be powered with an adapter with a power $\geq 18W$ and connected to the type-c port. When the bottom power indicator is on, it means that the power supply is connected.

2.5 Operating indicator: The blue working indicator is always on during the charging process of the mobile phone, which is off when it is not being charged or fully charged; it will flash in case of any charging fault.



3. Specifications:

Name	3 in 1 wireless charger	Model	G618C
Product size	107*76*131.2(mm)	Power Supply Port	Type C
Input	9V --- 2A	Maximum output power	18W

4. Matters needing attention

- 4.1 When charging the device, do not use a protective cover with a thickness of more than 5mm, and do not use a protective cover with a metal sheet.
- 4.2 Do not put metal foreign objects in the charging area.
- 4.3 When charging, please aim the device at the center of the charging area.

Customer satisfaction is our pursuit, if there are any quality problems please contact us first. Activated Warranty Lifetime Warranty supports permanent replacement of damaged, defective, upgraded, or lost products (you do not need to return the original item). Scan the QR code or email directly to support@xmwj-tech.com



FCC WARNING

This device complies with part 15 of the FCC Rules. Operation is subject to the following two conditions: (1) this device may not cause harmful interference, and (2) this device must accept any interference received, including interference that may cause undesired operation. Any changes or modifications not expressly approved by the party responsible for compliance could void the user's authority to operate the equipment.

NOTE: This equipment has been tested and found to comply with the limits for a Class B digital device, pursuant to Part 15 of the FCC Rules. These limits are designed to provide reasonable protection against harmful interference in a residential installation. This equipment generates, uses and can radiate radio frequency energy and, if not installed and used in accordance with the instructions, may cause harmful interference to radio communications. However, there is no guarantee that interference will not occur in a particular installation.

If this equipment does cause harmful interference to radio or television reception, which can be determined by turning the equipment off and on, the user is encouraged to try to correct the interference by one or more of the following measures:

- Reorient or relocate the receiving antenna.
- Increase the separation between the equipment and receiver.
- Connect the equipment into an outlet on a circuit different from that to which the receiver is connected.
- Consult the dealer or an experienced radio/TV technician for help.

To maintain compliance with FCC's RF Exposure guidelines, This equipment should be installed and operated with minimum distance between 20cm the radiator your body. Use only the supplied antenna.