

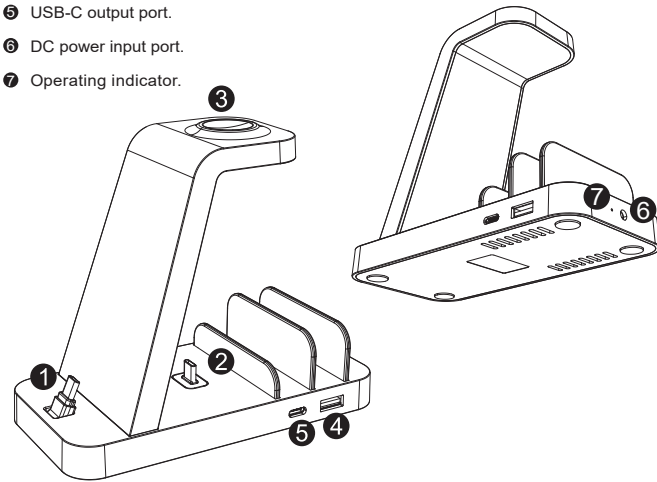
# CW510 Instruction manual



## 5 in 1 Charging Station

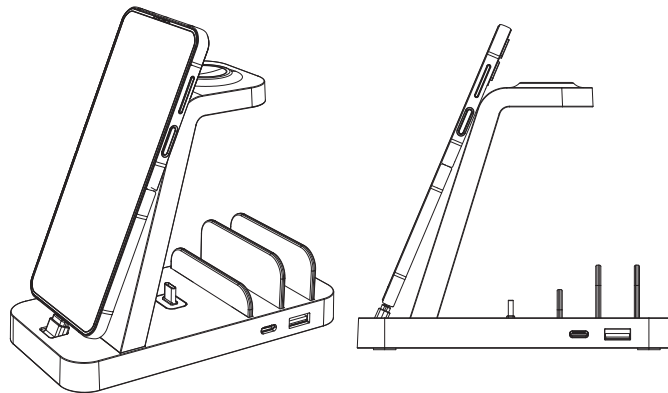
### 1. Introduction:

- ❶ Mobile phone work for the Samsung and all kinds of phone with Type-C charging port.
- ❷ Charging for Bluetooth headset with TYPE-C.
- ❸ Wireless charging area of SAMSUNG Galaxy Watch 5 Pro/5/4/3/Active 2.
- ❹ USB-A output port.
- ❺ USB-C output port.
- ❻ DC power input port.
- ❼ Operating indicator.

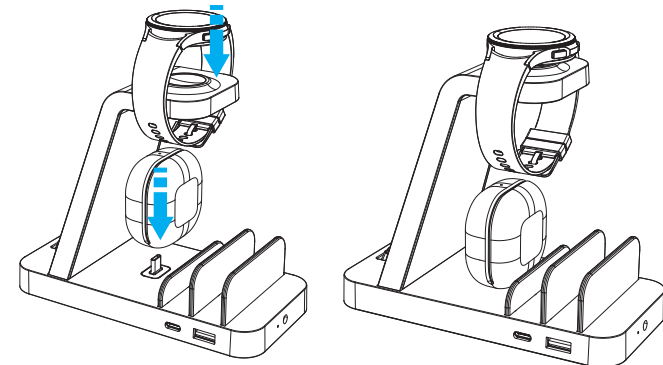


### 2. Operation instructions:

2.1 Android Phone charging: Plug the mobile phone upright to the position of the Phone head to charge, and see that the "charging sign" lights up on the screen of the mobile phone, indicating that it is charging normally.(Note: The toggle arc of the Phone head is limited, and the force is moderate when toggled to prevent damage to the mobile phone or mobile phone charging head).



2.2 Galaxy watch charging: Put the Galaxy watch on the wireless charging area of the watch, align the magnetic attraction, and the watch will light up the "charging sign", indicating that it is charging normally.

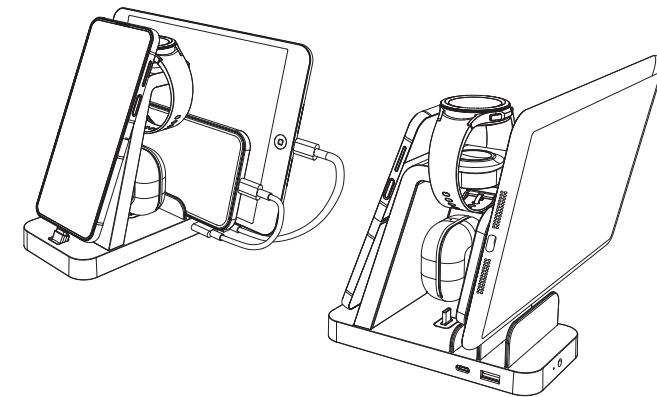


2.3 Charging the Bluetooth headset: Insert the plug to the Bluetooth headset charging compartment (Attention: If a thick silicone protective cover is provided on the headset charging compartment, it may cause poor contact and failure to charge, please remove the silicone protective cover before charging).

2.4 USB A port charging area.

2.5 USB C port charging area.

2.6 This product needs to use 12V-3A DC interface adapter for power supply, and needs to be connected to the DC head interface ; When the indicator light is on, it means the power is on.



### 3. Specifications:

Name	5 in 1 Charging Station	Model	CW510
Product size	156*75.5*129 (mm)	Power Supply Port	DC socket
Input	12V 3A	Output Power	36W(Max)

### 4. Matters needing attention

- 4.1 When charging, Please use the original 12V/3A adapter to have the best charging speed.
- 4.2 Do not put metal foreign objects in the charging area of the Galaxy watch to prevent the device from failing to charge.
- 4.3 When charging, please insert the device and the Phone plug in the correct place to prevent the device from failing to charge.

**FCC Warning Statement:** Changes or modifications to this unit not expressly approved by the party responsible for compliance could void the user's authority to operate the equipment. This equipment has been tested and found to comply with the limits for a Class B digital device, pursuant to Part 15 of the FCC Rules. These limits are designed to provide reasonable protection against harmful interference in a residential installation. This equipment generates, uses and can radiate radio frequency energy and, if not installed and used in accordance with the instructions, may cause harmful interference to radio communications. However, there is no guarantee that interference will not occur in a particular installation. If this equipment does cause harmful interference to radio or television reception, which can be determined by turning the equipment off and on, the user is encouraged to try to correct the interference by one or more of the following measures:

- Reorient or relocate the receiving antenna.
- Increase the separation between the equipment and receiver.
- Connect the equipment into an outlet on a circuit different from that to which the receiver is connected.
- Consult the dealer or an experienced radio/TV technician for help.

This device complies with Part 15 of the FCC Rules. Operation is subject to the following two conditions: (1) this device may not cause harmful interference, and (2) this device must accept any interference received, including interference that may cause undesired operation.

**FCC Radiation Exposure Statement**

The antennas used for this transmitter must be installed to provide a separation distance of at least 20 cm from all persons and must not be co - located for operating in conjunction with any other antenna or transmitter.