

SPECIFICATION

Power Supply Voltage	12~14.4V DC, Negative Ground
Max Current Consumption	15A
Max Output Power	4X60W

FCC warning:

This equipment has been tested and found to comply with the limits for a Class B digital device, pursuant to part 15 of the FCC Rules. These limits are designed to provide reasonable protection against harmful interference in a residential installation.

This equipment generates, uses and can radiate radio frequency energy and, if not installed and used in accordance with the instructions, may cause harmful interference to radio communications. However, there is no guarantee that interference will not occur in a particular installation. If this equipment does cause harmful interference to radio or television reception, which can be determined by turning the equipment off and on, the user is encouraged to try to correct the interference by one or more of the following measures:

- Reorient or relocate the receiving antenna.
- Increase the separation between the equipment and receiver.
- Connect the equipment into an outlet on a circuit different from that to which the receiver is connected.
- Consult the dealer or an experienced radio/ TV technician for help.

This device complies with part 15 of the FCC Rules. Operation is subject to the following two conditions: (1) This device may not cause harmful interference, and (2) this device must accept any interference received, including interference that may cause undesired operation.

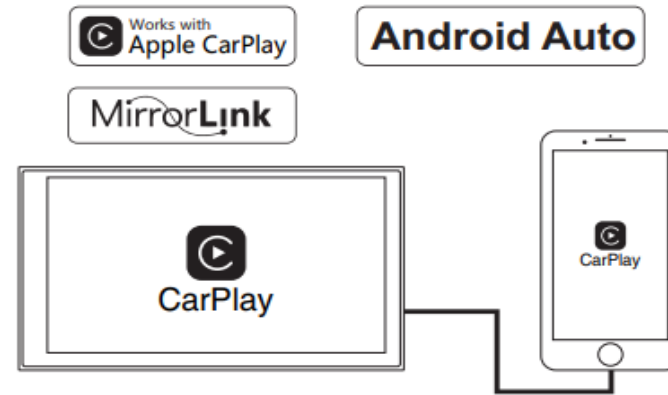
Caution Any changes or modifications not expressly approved by the party responsible for compliance could void the user's authority to operate the equipment.

FCC Radiation Exposure Statement:

This equipment must be installed and operated in accordance with provided instructions and the antenna(s) used for this transmitter must be installed to provide a separation distance of at least 20 cm from all persons and must not be co-located or operating in conjunction with any other antenna or transmitter. End-users and installers must be provide with antenna installation instructions and transmitter operating conditions for satisfy.

[CarPlay & Android Auto Player Manual](#)

CarPlay Mamual



HD Display , Stereo Radio,
BT & CarPlay & Android Auto & Mirrorlink
Audio/Video/Picture Playback

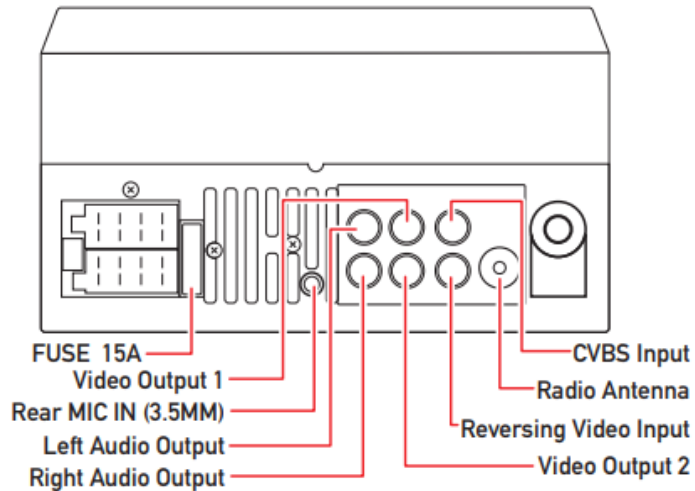


BEFORE INSTALLATION

Thank you very much for purchasing and using our products, when you receive the product, please do not take the product directly to the car for installation, because the product is in the after a long journey, it may affect the product. Please try the machine before installing.

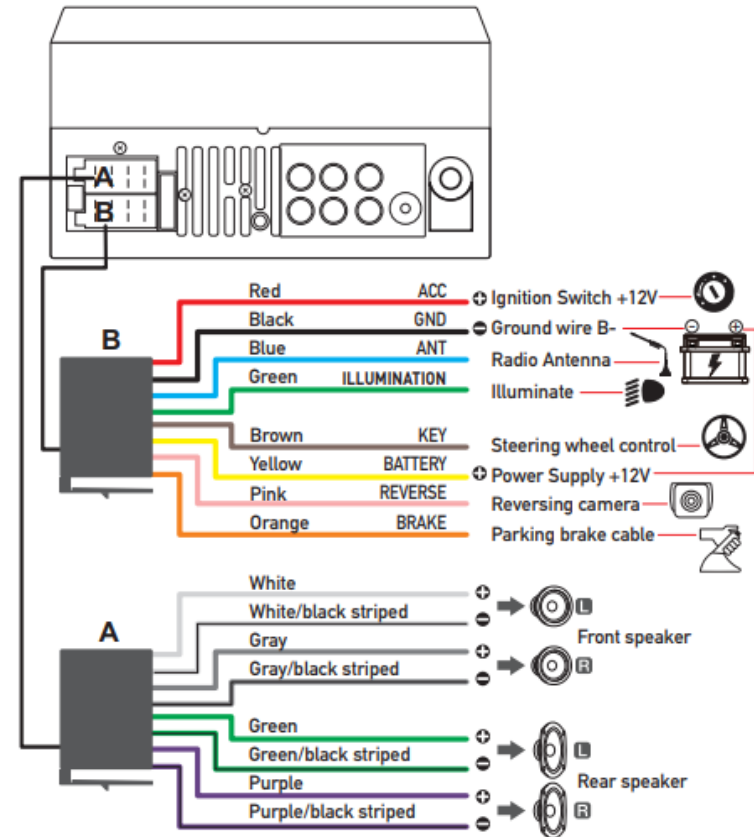
Test method: Take the machine to the battery of the car and test it. This car stereo applies to a power supply voltage at 12V DC. Connect the red and yellow wires of the power cord of the machine together and connect it to the positive pole of the battery. The black wire of the power cord is connected to the negative pole of the battery. Wait for 10 seconds after connecting, press each button of the machine to see if the machine can boot normally. If it can be turned on, it means there is no problem, you can install it. If the test machine can not start normally, please again Confirm that you follow the steps of our test method in strict accordance with the operation. If the problem is still not solved, please contact our work in time. Thank you for your cooperation.

REAR INTERFACE DESCRIPTION



1

REAR INTERFACE DESCRIPTION



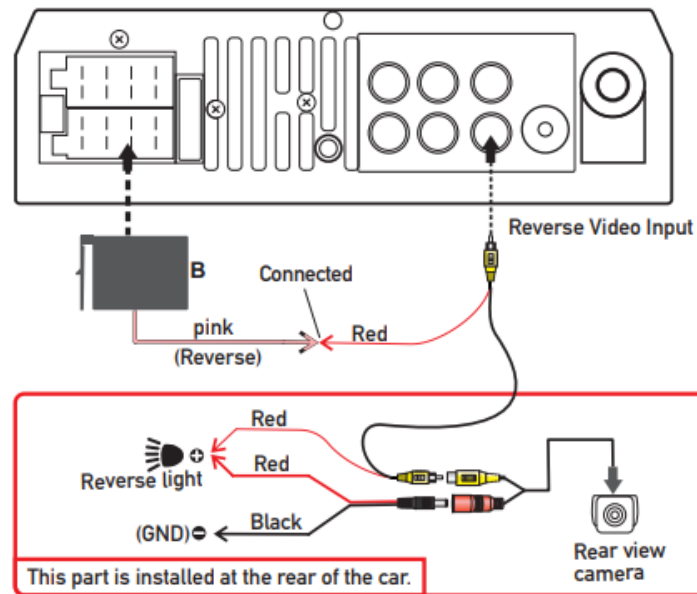
* When the yellow line B+ and the red line ACC have a 12V positive power at the same time, the unit can be turned on normally.

* The yellow line B+ keeps the power on and the machine has a memory function.

* 8 speaker cables, each cable can not be grounded, can not be shared, can not touch the line, otherwise there will be no sound output, output sound distortion, machine fever and so on.

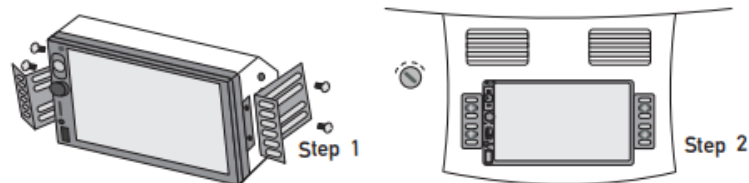
2

REVERSING CAMERA INSTALLATION METHOD



If the reversing camera is not installed, please do not connect the REVERSE/BACK cable to any place. Please leave the cable unconnected, otherwise the machine will not display properly, or it will automatically enter the reverse mode, which will cause the machine to fail. In case of such a situation, please disconnect the REVERSE/BACK line as soon as possible to avoid affecting the normal use of the user.

MACHINE FIXED REFERENCE METHOD



3

MAIN INTERFACE



1. HOME: Return to the main interface.
2. RADIO: Enter the radio mode to listen to the radio station.
3. PhoneLink: CarPlay / Android Auto / Mirrorlink function. Connect the machine and the mobile phone through a USB cable, and the car screen can be used as the second screen of the mobile phone.
4. USB: Playing music/video/pictures in a USB flash drive (Front USB).
5. USB2: Playing music/video/pictures in a USB flash drive (Rear USB).
6. BT: Enter the BT mobile phone music and BT call interface.
7. SD: Micro SD card interface for playing music/video/pictures inside the card.
(Some models not supported)
8. AV IN: Enter the AV IN external audio mode interface.
9. CCD (Rear Camera): show reversing camera.
10. Calculator: Enter the calculator interface.
11. Clock: go to clock settings.
12. Calendar: Enter the calendar interface.
13. Setup: Enter the system setting interface.

4

RADIO FUNCTION



1. ◀▶ : Short press to automatically search for the next station and play it; Long press to manually search for radio stations, step by 0.05MHz for each press, then long press P1, P2, P3, P4, P5, P6 to save the radio station.
2. Pre-stored stations, Can store 18 radio stations. When you need to listen to a certain fixed station, just click it.
3. FM: Band switching, switchable FM1-FM2-FM3.
4. AS: Automatically search and store full-band radio stations.
5. ST/MO: Stereo/Mono.
6. PS: Browse radio stations.
7. LOC/DX: Long-range/short-range broadcast.
8. Enter the EQ sound effect setting interface.
9. Back button.

MUSIC FUNCTION



5



1. Previous track and next track.
2. Pause music / resume playback.
3. Single loop and all loop playback.
4. Sequential play and random play.
5. Return to file list.
7. The playback progress bar, you can slide to adjust the playback progress.
8. Enter the EQ sound effect setting interface.

PHOTO FUNCTION



6



1. Previous picture and next picture.
2. Pause picture / resume playback.
3. Zoom in picture.
4. Zoom out picture.
5. Rotate the picture.
6. Return to file list.

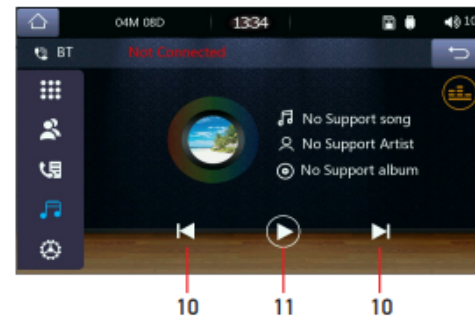
VIDEO FUNCTION



1. Previous track and next track.
2. Pause video / resume playback.
3. Loop video playback.
4. Sequential play and random play.
5. Return to file list.

TIPS: When a brake warning occurs, turn off the brake warning switch in the system settings. You can play the video normally.

BT FUNCTION



1. Make a call interface.
2. Contact interface.
3. Call history interface.
4. BT Music interface.
5. BT pairing interface.
6. Backspace key.
7. Dial keypad interface.
8. Answer call key.
9. End call key.
10. BT Music Prev / next track.
11. Pause music / resume playback

Device Name: "CAR-BT"

PIN Number: "0000" (If need)

Connection Method:

1. Power on the machine and turn it on.
2. Turn on the BT function on the mobile phone, click Search Device, when the mobile device list searches for the BT device name of the current machine, click the device name to connect it.

AV IN FUNCTION

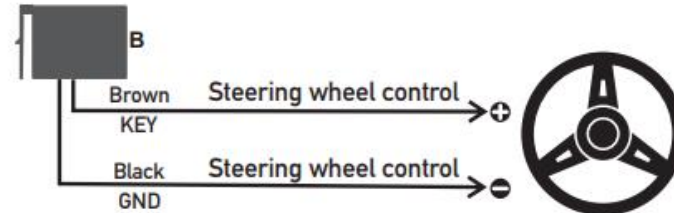


You can connect an external audio player, such as a mobile phone or iPod, through the 3.5MM Front AUX hole.

STEERING WHEEL CONTROLS



By learning, turn the buttons on the steering wheel into the function buttons of the player.



Wiring Method:

1. Locate the positive pole of the original car steering wheel button control line and connect it to the KEY line on the machine's output line.
2. Locate the negative pole of the original steering wheel button control line and connect it to the ground (power negative) line on the machine's output line.

Learning Method:

1. First press and hold the function key on the steering wheel, and then click the desired function key on the car screen. At this time, the key on the screen will be always on, indicating that the learning is successful. Then learn the second button in the same way. Finally, press the confirm button to complete the study.
2. When the operation error needs to be re-learned, just press the reset button and then re-learn.

Phonelink (CarPlay & Android Auto & Mirrorlink)

When connected to the USB data cable, you can project the phone screen to the car screen.



1. iPhone enter Apple carplay mode.
2. iPhone enter MirrorLink mode.
3. iPhone Default state, "CarPlay or Mirrorlink" is selected.
4. Android phone enter MirrorLink mode.
5. Android phone enter Android Auto mode.
6. Android Default state, "Android Auto or Mirrorlink" is selected.

Apple CarPlay (CarPlay)

1. Connect the iPhone and the machine with a USB data cable.
2. Then the machine will automatically enter the carplay interface.
3. After exiting, you can press Phonelink on the HOME to enter the carplay function again.



[You can also control your iPhone here.](#)



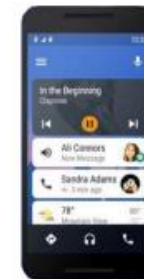
Android Auto (Auto)

This feature is not supported in all countries, and "Google Play" services need to be available locally.

1. Need to download and install "Android Auto" software in "Google Play".
2. A mobile phone with Android 6.0 or higher must be used. Must use a valid data cable connection.
3. Connect Mobile Phone and the machine with a USB data cable. (It is not necessary to turn on the USB debugging mode.)
4. Then the machine will automatically enter the Android Auto interface.



[You can also control your Android phone here.](#)



Mirrorlink (Android)



When using an Android device, after connecting the USB data cable, you will be prompted to install the Mirrorlink software. After installation, Plug the data cable again, it will enter the screen mirroring mode. And it can be operated on both the player screen and the phone screen.

Only the image transfer is successful at this time. The sound can only be transmitted after the BT connection is successful.



[You can also control your android phone here.](#)

Mirrorlink (iPhone)



When the device is plugged into the iPhone, the content on the phone's screen is projected onto the car's screen, and the sound is transmitted in sync.



[You can't control your iphone here.](#)

SYSTEM SETTINGS

Basic Setup:



1. Beep: Key tone switch.
2. Reverse Mute: Mute switch when reversing.
3. Watch the video warning while driving.
4. Transform interface animation effects settings.
5. Camera mirror settings.
6. Key light settings.
7. Color light change interval time.
8. Restore to factory settings.

Radio area:



Set the appropriate radio frequency according to the region.

SYSTEM SETTINGS

Steering wheel learning:



By learning, turn the buttons on the steering wheel into the function buttons of the player.(See the detailed operating instructions for steering wheel control learning in the previous introduction.)

Factory Set:



password: 113266 →

Enter the password "113266" to enter the factory setting interface.

SYSTEM SETTINGS

Sound Setup:



DSP sound effect setting interface.

Display Settings:



Brightness, contrast, hue, saturation can be set.

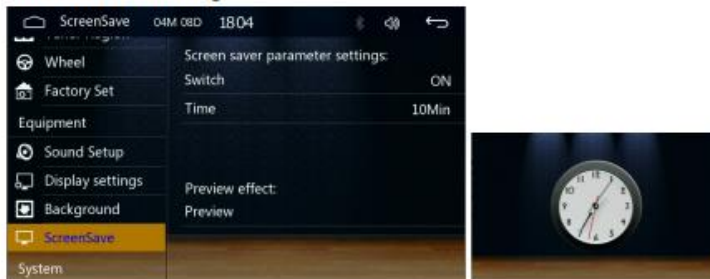
SYSTEM SETTINGS

Background image settings:



Toggle background image.

Screen saver settings:



Set screen saver switch and start time.

SYSTEM SETTINGS

Language settings:



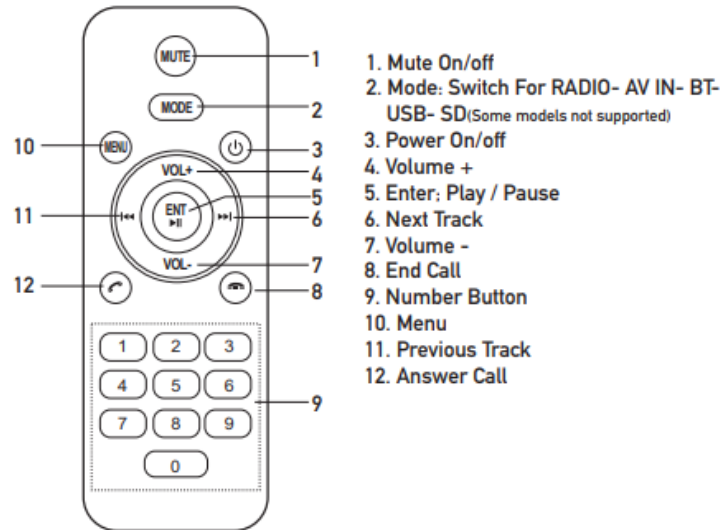
Language settings for multiple countries.

Time setting:



Set the year, month, day, hour and minute.

REMOTE CONTROL FUNCTION



NOTE:

1. Before using the remote control, please remove the battery insulation paper at the bottom of the remote control.
2. If the remote control does not work, please take the battery off and wipe it, then put it back, generally it can be used normally. Still not working, it may be that the remote control battery is low, please replace the remote control battery.

COMMON PROBLEMS AND SIMPLE TROUBLESHOOTING

1) Unable to boot normally

-- Reason for not booting

1. "Yellow" "Red" "Black" this 3 lines only connected 2 line of them, so it will not start, it should be that the yellow line is connected to the positive pole, red line to the key control line, black to the negative pole, less connection or wrong connection does not boot.
2. The original car line and unit wiring can not be connected to the color, the color of the original car line is not standard, if you connect like that it can not only be turned on but also may burn.
3. The original car plug can't be plugged directly into the new unit, even if it just plugs in, it can't be used, otherwise it won't be turned on or burned.
4. The 3 wires are connected right, but it does not boot. Check if the fuse on the yellow line is broken. If there is no problem with the fuse, twist the yellow and red wires together. Turn on the key and press the unit's power button to see if it can be turned on.
5. Every time you change the fuse, it burns. Please don't change it again The reason is that when you first connect the positive and negative poles, the protection circuit of the unit is short-circuited. The unit can be repaired under the guidance of our master. No basis can only be returned to the after-sales or new unit. If these are no problem, or also don't boot, please make the final step to confirm, find a 12V battery or 12V power supply "yellow" and "red" twist together with the positive, black to the negative pole, press the button check if it can boot or no, if you can boot, it showed that the original car line is not right connect, or there is a problem with the car line. If it can't be boot, the unit is broken. Does not boot unit, check the line carefully, do not blindly suspect the unit problem.

2) Automatic shut-down

-- Automatic shutdown usually has these following conditions

1. The cable error connect: If the blue cable (automatic antenna power supply) is connected to the power cable of the unit, an automatic shutdown will occur. Please follow the correct wiring method to solve the problem.
2. The voltage is unstable: please find a 12V-5A which one is the power supply and re-tested to see if it will automatically shut down. If it does not automatically shut down after the test, please replace the power supply. If it will automatically shut down, it is problem with the unit.

3) Having noise

-- The general situation of noise is caused by two reasons

1. The original speaker power is too small. When the volume of the unit is turned up, there will be noise.
Solution: When replacing the speaker or listening to the song, the volume should not be too large.
2. The speaker cable is grounded.
Solution: Take the iron speaker cable. Directly connected to the speaker cable of the unit.

4) Remote control cannot be used

-- Check if the battery of the remote control has power

1. Test method: Turn on the camera of the mobile phone and align the light of the remote control, then press the button of the remote control to see if the phone will light up. If it is not lit, there will be no power. Replace the battery; if it is lit, there is electricity, which proves that there is no problem with the remote control.

5) Settings can not be saved (no memory)

-- There is no memory function, there is only 2 points in memory

1. The yellow line and the red line are connected together (separate yellow to positive, red to key control).
2. Yellow and red are reversed (just change position).

6) Car audio with Bluetooth but it can't work

-- Check the phone to see if you can search for the unit code

Operation steps: turn on the unit, use the phone Bluetooth search, search for CAR-BT, then click the connection, after connecting, you can answer the phone or Bluetooth to play the song. PIN Code: 0000 .

7) The product smoke has proved that the internal circuit has been burned. Change the insurance FUSE can not solve the problem.

-- In this case, the unit needs to be repaired.

8) How to adjust the sound, where is the equalizer set, the sound can not be adjusted

1. Adjust the sound: please turn the volume to adjust.
2. Equalizer settings: In general, press the volume knob to display the equalizer SEL, and rotate the volume button to adjust each sound effect.
3. The sound cannot be adjusted:
 - a. Please reset the unit or unplug the power cord and plug it in.
 - b. The Volume knob is broken, and the knob can be replaced.

9) No display of reversing video

1. Connect the wrong line or less wiring. Camera connection method.

a> The first step is to find accessories (accessory: one camera + one power cord +one video cable). b> The second step is to find the port of the wiring.

First find the reverse control line on the power line of the unit. The control line is a pink line or brown line, connect this line to the positive pole of 12V and the screen will turn blue. And then find the back of the unit the CAME video input interface, find the positive and negative of the backup light.

The third step is connect: there are two sockets on the camera, the red socket is connected to the power cable, the yellow is inserted into the video cable, the red wire of the power cable and the wire of the video cable are screwed together on the positive pole of the reverse lamp, and the black wire of the power cable is not used, connected, the other end of the video cable is connected to the CAME video input interface on

the back of the unit. The red line coming out of the video line is connected to the reversing control line of the power line.

2. The camera is broken. If the lamp that is properly wired to the camera is not lit, it will be broken and replaced with a new one.

10) USB flash disk can not be played, the card slot does not enter the card?

-- USB flash disk can not play:

Format the USB flash disk, and the file system is selected as: FAT32, re-download on or two songs and try again. If it still doesn't work, please replace the USB flash drive.

- The card slot does not enter the card.
- Check whether the memory card is inserted, the plug is broken.

11) FM does not receive the radio station

-- Can not receive the station check the 2 points

1. The antenna plug is not fully inserted, the antenna is disconnect or the line is disconnect.
2. Search channel, hold AMS does not let go for 2 seconds The unit will automatically search or press the up and down button to perform a channel search. Can't solve the above 2 points, Please unplug the antenna plug and find a screwdriver or a metal strip to insert it instead of the antenna.

12) There is no sound right after installation

-- Dear customers, the unit has been tested before shipment. If there is no sound, it is usually a wiring error or the original car speaker wire is short-circuited with iron. According to the steps to check it.

1. Check if the speaker cable is short-circuited and connected. Please reconnect if you have any short circuit.
2. Check how many speaker cables according to the original speaker cable if there are only 2 speaker cables to prove that the original car line does not match our unit, you need to re-route the original car line. One speaker must lead to 2 speaker wires. 2 speakers must be have 4 speaker cables to available.

13) There is no sound after a while

-- Disconnect all the speaker cable from the unit (do not remove them), and then find an external speaker to receive the gray and purple of the tail line of the unit.

Green any group, and then try to see if there is any sound. If there is a sound, it is proved that the car's speaker line is short-circuited with iron or the speaker is damaged. If there is no sound, the unit is broken.