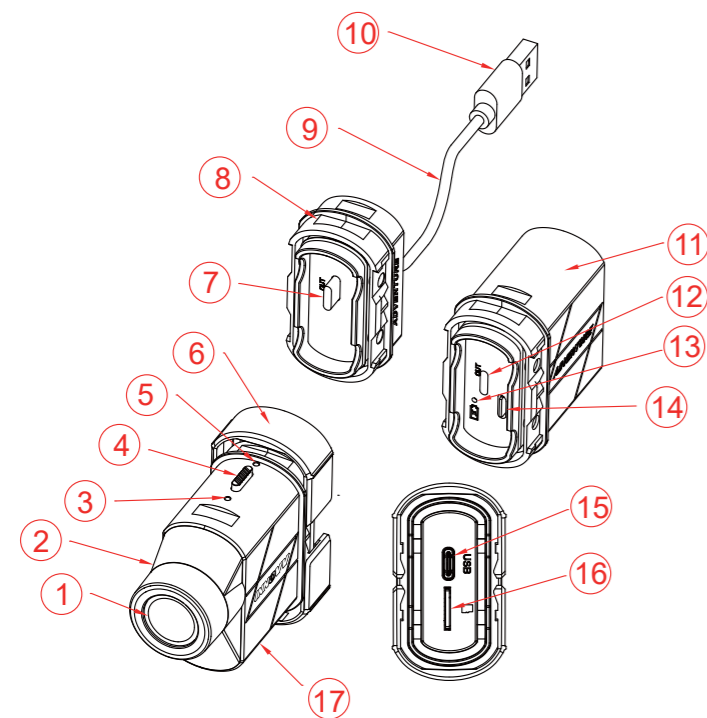


The INNOVV H5 is a high-end action camera specially design for motorcycle enthusiasts. The camera is able to capture videos in 4K at 30 FPS. Utilizing unique anti-shake and stabilization technology, the H5 is the perfect lightweight device for capturing video, photos, and audio in a rapid motion environment. The DVR comes with a removable battery which can be replaced with the external power supply and microphone cable enabling a longer duration of recording without power loss anxiety.

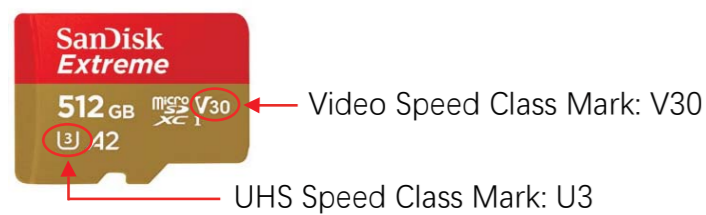
1. Max resolution 4K at 30FPS up to 20mega pixels for images.
2. The Aspheric full glass lens with F/1.8 aperture allows for a high quality and distortion free image quality.
3. Anti-Shake by EIS offers a more stable image recording ability.
4. Perfect slow & fast motion recording ability so you never miss a beat.
5. Equipped with a built-in helmet microphone with wind/noise reduction technology for a clearer audio recording.
6. The removable battery has a potential life of up to 5 hours!
7. Supports up to 512GB storage via TF card.
8. The battery can be removed and replaced and a dedicated external power supply solution to extend recording duration.
9. The waterproof rating of the whole system is IP65, which meets the requirements of splashproof, waterproof and dustproof.
10. Small sized DVR allowing for various installation methods and easy installation.



1. Lens
2. DVR
3. Wi-Fi indicator
4. On/Off switch/photograph button
5. Recording indicator
6. Upper buckle
7. Power interface
8. Power Supply
9. Power extension cord
10. USB connector
11. Battery
12. Battery interface
13. Type-C USB charging port
14. Charging indicator
15. Type-C USB data interface
16. TF card socket
17. Microphone

As the 4K video of the H5 requires more space on the memory card, it is recommended that a U3 (UHS Speed Class 3) high-speed class memory card with V30, V60, V90 (Video Speed Class 30.60.90) be used with the device to achieve true 4K ultra-high-definition video recording and optimal performance.

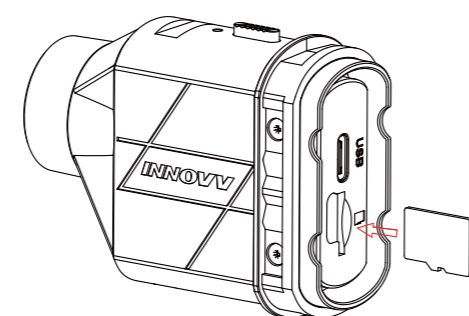
The UHS & Video Speed Class markers are visible on the front of the card:



Format the TF-card

To format the TF-card in camera:
Insert the TF card into the camera and format the card using the INNOVV App via settings menu.

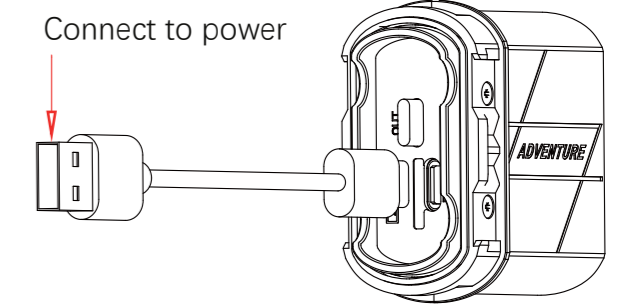
Format the TF-card on computer:
Insert the TF card into a computer and format as FAT32.



Insert the TF-card into the DVR card socket in the forward direction.

Charging the Battery

- Step 1. Disconnect the battery.
- Step 2. Insert the USB Type-C cable in the connector port of the main body.
- Step 3. Charge unit by connecting the USB cable to a power supply (i.e., adapter, power bank, etc.)
* The output of the power supply should be 5V/2A output.

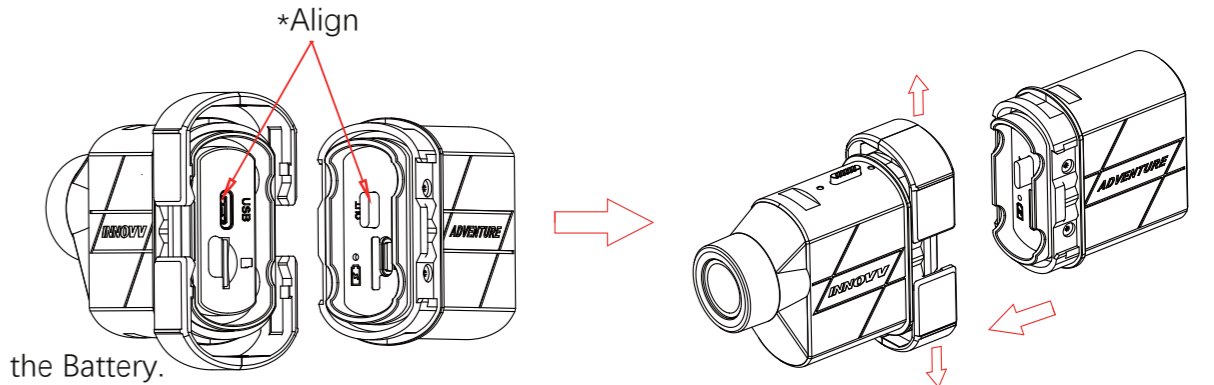


Caution: The battery is not waterproof when separated from the DVR. Handle with care and keep away from liquids and moisture.

DVR Installation

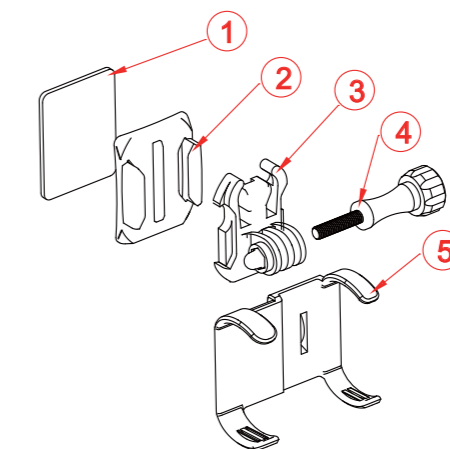
- Step 1. Open the upper buckle and lower buckle of the DVR, respectively.
- Step 2. Connect the Type-C connector of the battery to the Type-C connector of the DVR
- Step 3. Press the upper buckle and lower buckle on the DVR back inward.
- Step 4. Insert the H5 DVR in the mount.

Caution: The DVR is not waterproof when separated from the Battery. Handle with care and keep away from liquids and moisture.



Assembly of Clip-On Bracket

- Step 1. Place the 3M adhesive sticker onto the clip-on bracket.
- Step 2. Assemble the mount.
- Step 3. Fix the mount onto the clip-on bracket as illustrated.

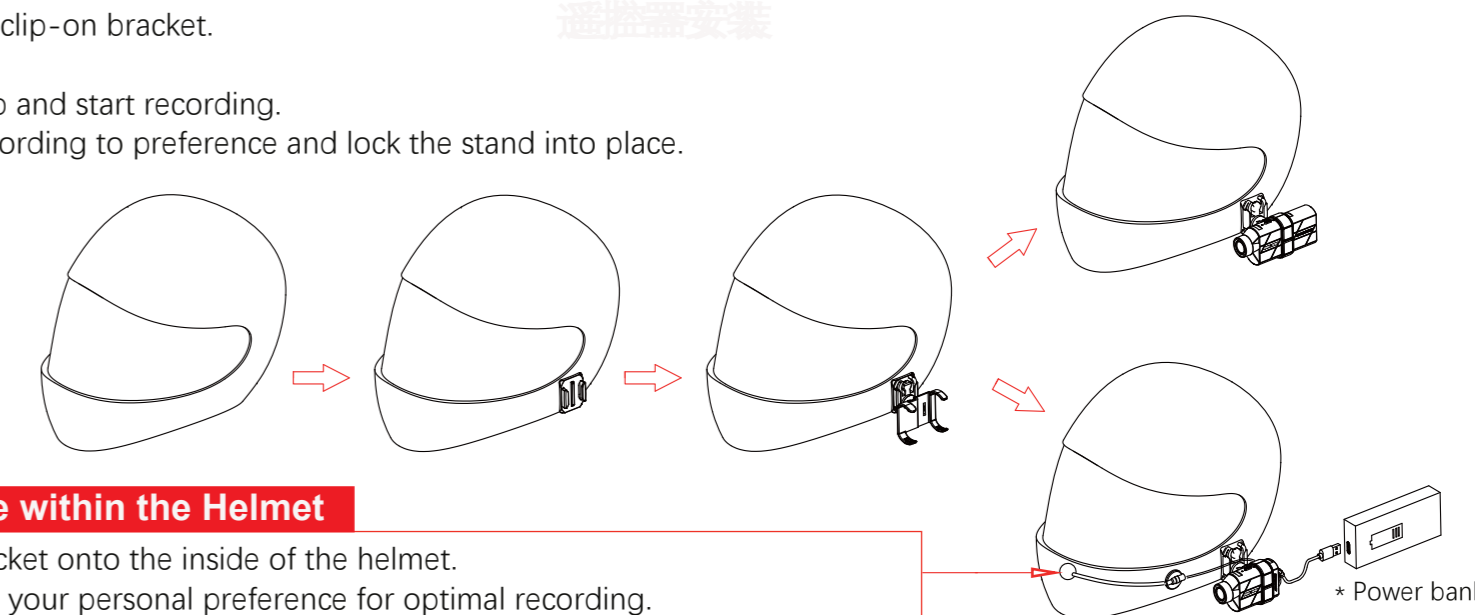


1. 3M sticker
2. Flat Mount
3. Mounting Buckles
4. Long Thumb Screw
5. back clip

DVR Installation onto Helmet

The camera bracket can be positioned on the left or right side of your helmet.

- Step 1. Stick the bracket into place on the helmet.
- Step 2. Clip the DVR into place on the clip-on bracket.
- Step 3. Wear the helmet.
- Step 4. Connect to Wi-Fi using H5 App and start recording.
- Step 5. Adjust the camera position according to preference and lock the stand into place.
- Step 6. Lock the mount into place.



Installation of Microphone within the Helmet

- Step 1. Stick the microphone bracket onto the inside of the helmet.
- Step 2. Adjust the microphone to your personal preference for optimal recording.

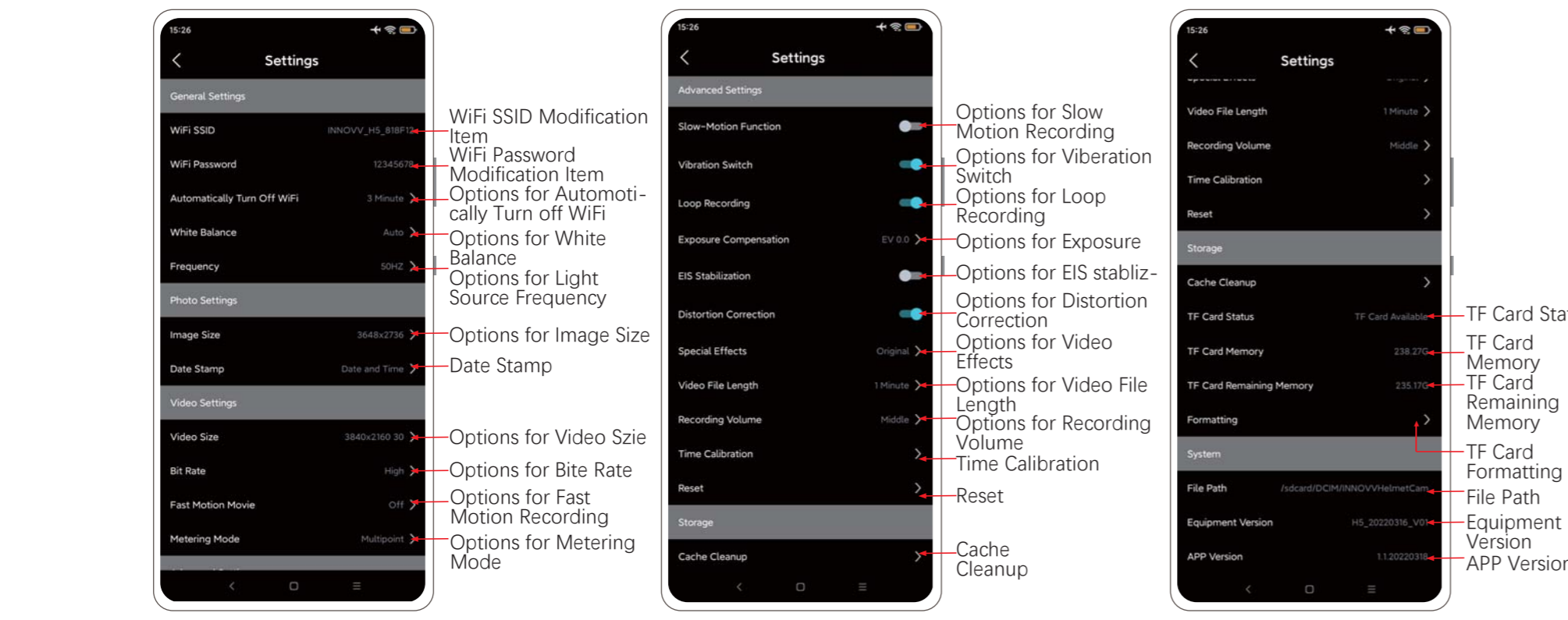
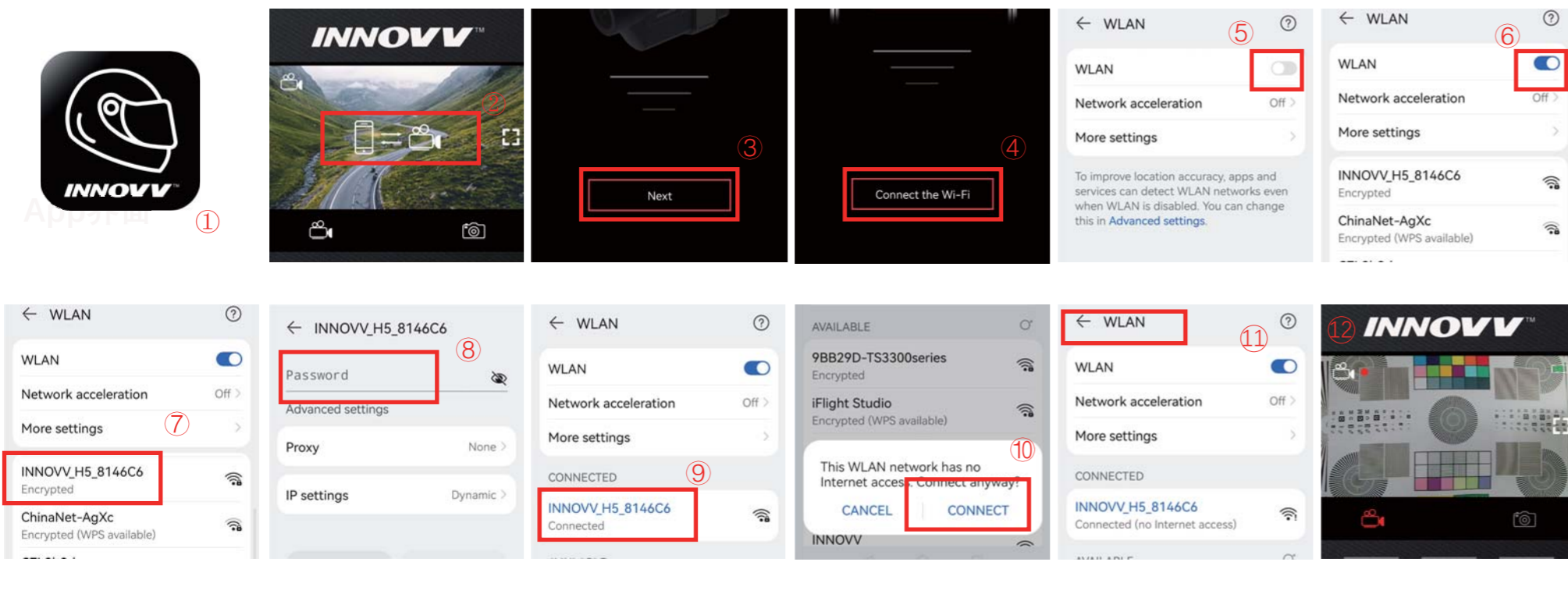
User Guide

1. Install App: Scan the QR Code by browser or App market, and download the App in your mobile phone.
2. Assemble the Camera: Insert the TF card, you can use the power bank to charge the camera, or power it via a USB cable.
3. Starting up: Long press the button for 1 second, the camera will start to work once work once the red light is on after a two short vibrations.
4. Connect to the Wi-Fi: Connect to the App in your mobile phone by the Wi-Fi INNOVV H5_*****, defaulted password is 12345678, the green light will solid on after connection successfully, green light will keep flashing if the Wi-Fi connection has failed.
5. Pause the Video: You need to go to App settings to pause the recording, the red light will flash once recording is paused.
6. Photo Taking: Press the button once when the camera is recording, red light solid on, the photo will be saved in the "photo" file.
7. Active Wi-Fi: The green light will go off in the power down mode, if you need to active the Wi-Fi, please press the button and the green light will flash, meanwhile, there is a photo taken and saved in the "photo" file.
8. Turn Off the Camera: The camera will go off after a long press of the button for 4 seconds, and the red light will turn off after a short vibration.
9. Copying Videos: Pull off the TF card from camera and copy the videos in your computer, or check the videos by connecting the camera to the PC by a USB cable.
10. Reset: The main camera will reset when you remove the battery or disconnect the USB power.
11. Default Settings: The camera will restore the default settings when you press the button for 10 seconds with two short vibrations and one long vibration, and the camera will start automatically.
12. Firmware Update:
-PC Operation: Copy the firmware SPHOST.BRN to root of TF card.
-Camera Operation: Copy the firmware SPHOST.BRN bin to an TF card, insert it to the camera, press the button and the firmware will be automatically updated with red light and green light flashing alternately. The firmware in the card is automatically deleted once the update is successful (The power can not be cut off when the red light and green light flashing alternately).
13. Other Functions: Other functions can be set on the mobile phone APP, Please refer to the APP diagram.



App Installation Guide

Mobile phone WiFi connect camera operation tips



Indicator Instructions

Status	Button & Indicator Lights				Indicator light in the battery		
	Button	Recording Indicator Light	Wi-Fi Indicator Light	Vibration	Status	Red Color	Green Color
Turn On/Recording	Press the Button for 1 Second	Solid	Blinking	Two Short Vibrations	Charging	Solid on	
Turn Off	Long Press the Button for 4 Seconds	Off	Off	One Long Vibration	Fully Charged		Solid on
Photo Taking	Press the Button for Once	Blink Once		One Short Vibration	Self Protection or (and) Battery Failure During Charging	Off	Off
Recording Paused		Blinking					
Low Battery		Blink Three Times	Blink Three Times	Three Short Vibrations			
TF Card		Blinking		Short Vibration Every 3-Seconds			
Firmware Updating		Alternate Blinking Between Two Lights					
Wi-Fi Connecting			Blinking				
Wi-Fi Connected			Solid On				
Wi-Fi Off			Off				
Reset to Default Settings	Long Press the Button for 10-seconds	Only Effective When Ignition is off, Reboots after 10-Seconds					

Specifications

Structural Parameters		Battery Parameters	
Color	Silver Gray	Input	5V 2A
Installation Option	Side mounted/ Front mounted	Capacity Of Battery	2400mAh
Waterproof Rate	IP65	Charging Time	150 Minutes
Material Of Housing	Engineering Plastics	Charging Temperature	0°C~55°C
Size	L110*W32*H55mm	Storage Temperature	-5°C~45°C
Weight	150g (Battery Included)		
DVR Parameters			
Processor	A7	Connect to Mobile	WiFi (2.4G)
RAM	2G	Data Interface	USB Type-C
Anti-Shake	EIS	Input Voltage	5.0V
Sensor	Gyroscope	Input Current	1A
Lens	6G+1IR	Standby Power Consumption	≤50uA
Aperture	F1.8	Power Consumption	≤2.2W
Field Of View	120°	Storage	TF Card, 8G~512G
Maximum Resolution For Video	4K/30fps	Battery	can be disassembled
Maximum Resolution For Photo	20 megapixels	Battery Life	300 minutes
Video Format	MP4	Working Temperature	-10°C~60°C
Photo Format	JPEG	Storage Temperature	-15°C~60°C
Special Function	Vibration		
Mobile App	INNOVV App (iOS & Android Compatible).For Android smart phones (Android 5.1 and above)&iPhones (iOS 8.3 and above)		

Troubleshooting

No	Problem	Solution
1	The recording indicator light (RED) flashes slowly and vibrates	Check whether the TF card is inserted properly, or please replace a TF card.
2	The pictures are not clear enough, such as an unusually big halo of the road light.	Please wipe the lens with a dustless cloth.
3	Fail to turn on	1. Battery low. 2. Please check if the Input of the USB power supply is with 5V/1A.
4	No voice in the Video	Please check if the Microphone is turned on
5	No lights while charging	1. Please check if the charging cable is well connected. 2. Please confirm if the Input is with 5V/1A, and the temperature is between -5°C~55°C.
6	The camera's WiFi signal cannot be found.	Check whether the WiFi light(Green) is flashing or not, You can press the camera switch button to activate the WiFi if the WiFi light is not flashing.
7	The camera is shutting down automatically when turning on.	Check if the camera battery is insufficient. When the camera is powered with the USB cable, please confirm if the power supply meets the camera power requirement.

Customer Support

Download the manual and check out our official website for more details about INNOVV products and accessories: www.innovv.com. If you have any comments, suggestions, or require customer support: please contact our customer service team at CS@innovv.com.

Inclusions

Item	Quantity/pcs	Item	Quantity/pcs
DVR	1	Mount for Helmet	1
Battery	1	USB Cable	1
Power Supply	1	Manual	1
Mount for DVR	1	back clip	1

Important

- The H5 is a high precision product which should not be dropped or subject to heavy impact.
- Do not immerse the product in water as it may cause product failure.
- Never take the product close to a strong magnetic field such as magnet, electrical machinery, or it may cause product failure such as image damage or voice failure.
- Never store the H5 in high temperature environment.
- Recommend a TF card with U3/V30 or higher standard to maintain a perfect performance.
- Do not place the TF card in a strong magnetic field as this may cause missing data in the TF card.
- The recommended charging temperature is from 0°C till 45°C, higher or lower temperature may shorten the battery life and slow down the performance of the battery.
- In case of any heat, smoke or smell of something unusual, please stop charging by unplugging the power supply to avoid fire.
- Keep the unit away from the reach of children when charging, the power supply may cause suffocation or shock.
- Store the battery in a dry and proper temperature area in case of long time no use.
- Store the unit in a dry, dust free, shade and cool place.
- It is not recommended to remove the battery directly or disconnect the power supply USB cable when the camera is on.
- Please press the camera power button to shut down, and then remove the camera battery or USB cable when the camera is off.

FCC Statement

This equipment has been tested and found to comply with the limits for a Class B digital device, pursuant to part 15 of the FCC rules. These limits are designed to provide reasonable protection against harmful interference in a residential installation. This equipment generates, uses and can radiate radio frequency energy and, if not installed and used in accordance with the instructions, may cause harmful interference to radio communications. However, there is no guarantee that interference will not occur in a particular installation. If this equipment does cause harmful interference to radio or television reception, which can be determined by turning the equipment off and on, the user is encouraged to try to correct the interference by one or more of the following measures:

- Reorient or relocate the receiving antenna.
- Increase the separation between the equipment and receiver.
- Connect the equipment into an outlet on a circuit different from that to which the receiver is connected.
- Consult the dealer or an experienced radio/TV technician for help.

To assure continued compliance, any changes or modifications not expressly approved by the party.

Responsible for compliance could void the user's authority to operate this equipment. (Example- use only shielded interface cables when connecting to computer or peripheral devices).

This equipment complies with Part 15 of the FCC Rules. Operation is subject to the following two conditions:

- (1) This device may not cause harmful interference, and
- (2) This device must accept any interference received, including interference that may cause undesired operation.

RF warning statement:

The device has been evaluated to meet general RF exposure requirement. The device can be used in portable exposure condition without restriction.