

承认书

SPECIFICATION FOR APPROVAL

CUSTOMER 客户:

MODEL NO 产品型号: LHX-833B

Date 日期: 2022-3-21

Version number 版本号: _____

客户承认(CUSTOMER APPROVE): _____

拟定 PREPARED

审核 CHECKED

批准 APPROVAL

拟定 PREPARED

审核 CHECKED

批准 APPROVAL

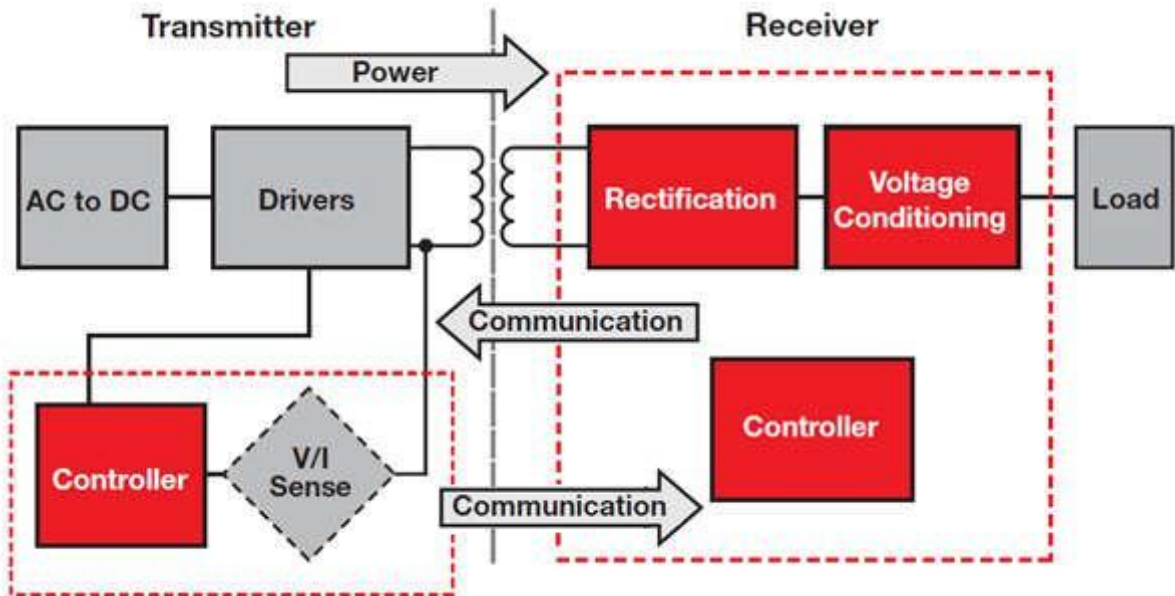
变更列表 Modification List

产品型号 Model No.	LHX-833B	参数 : Specification: Output:5V/1A
----------------	----------	----------------------------------

版本 Rev.	日期 Date	变更前 Previous	改进 Revised	备注 Remark
00	2022-3-21		--	

1. 概要 General

1.1 应用框图 The application block diagram



2. 输入特性 Input Characteristics

2.1 输入电压 Input Voltage

输入电压范围 $5V_{dc} \pm 5\%$.

Input Voltage range : $5V_{dc} \pm 5\%$.

2.2 输入电流 Input Current

输入 $5V_{dc}$ 满载下最大输入电流 $1000mA$

2.3 待机功耗 Stand-by Power Consumption

待机功耗低于 300mW.
Standby power consumption is less than 300mW

2.4 动态功率锁定 **Dynamic Power Lock**

输入属于弱电源（输入电源功率不足）时，发射器必须能提供功率输出。

3. 输出特性 **Output Characteristics**

3.1 输出特性 **Output Characteristics**

输出电压、输出电流符合下列标准：

The output voltage, output current meets the following criteria：

项目 Item		性能 Performance	备注 Remarks
输出电压 Output Voltage	普充 Normal Charge	+5Vdc	
输出公差 Output Tolerance		±5%	
最大输出电流 Max. Load	普充 Normal Charge	600mA	
最小输出电流 Min. Load	普充 Normal Charge	0A	

3.2.1 输出短路保护 Short Circuit Protection

在接收器输出短路情况下，发射器停止工作，当接收器移除后，发射器将恢复正常工作。 In the case of a short circuit in the receiver output, the transmitter stops working, and when the receiver is removed, the transmitter will resume normal operation.

3.2.2 输出过流保护 Over Current Protection

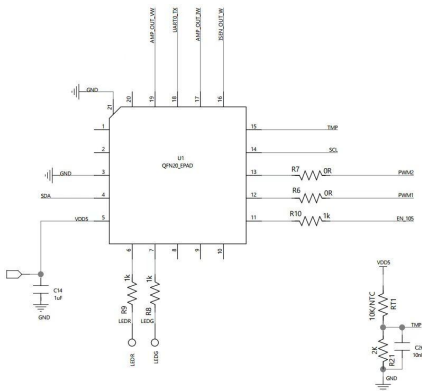
触发过流保护后，发射器停止工作，当接收器移除后，发射器将恢复正常工作。 When overcurrent protection is triggered, the transmitter stops working, but will resume working when the receiver is removed

3.2.3 过温保护 Over Temperature Protection

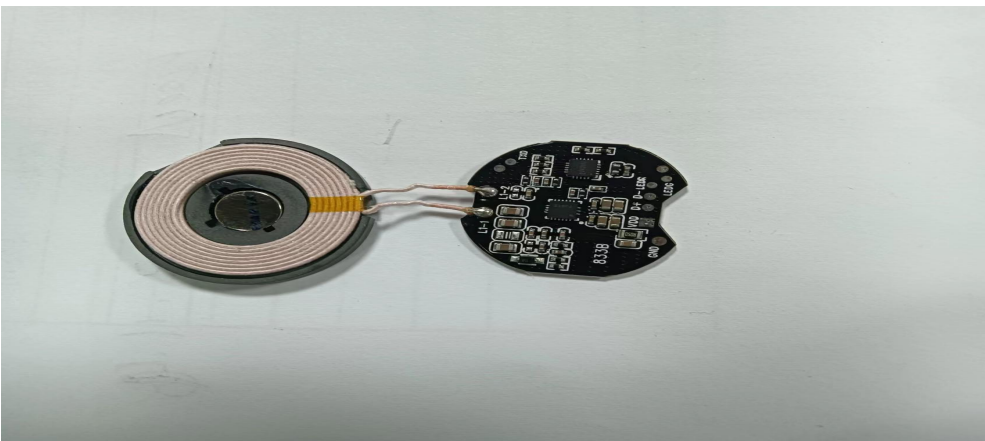
发射器的NTC 温度高于 80°C时，发射器停止工作，温度降低到正常状况，接收器移除后，发射器恢复正常工作。

When the NTC temperature of the transmitter is higher than 80°C, the transmitter stops working, the temperature decreases to normal condition, and the transmitter returns to normal operation after the receiver is removed

Pin Assignment



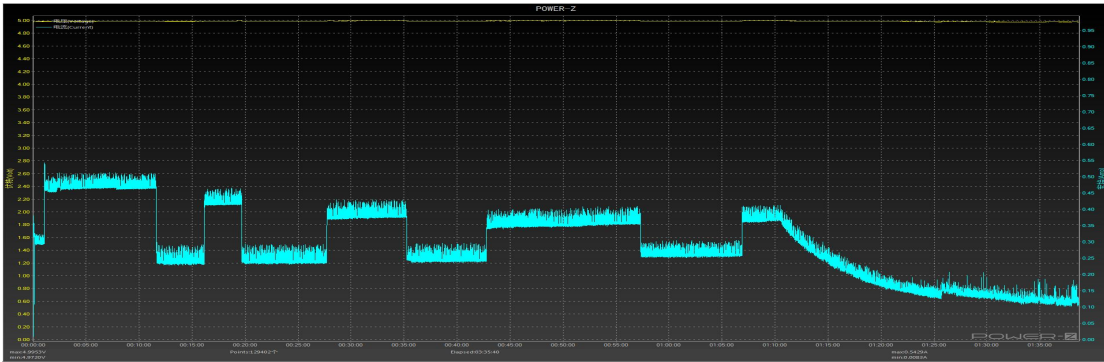
Package Information QFN20



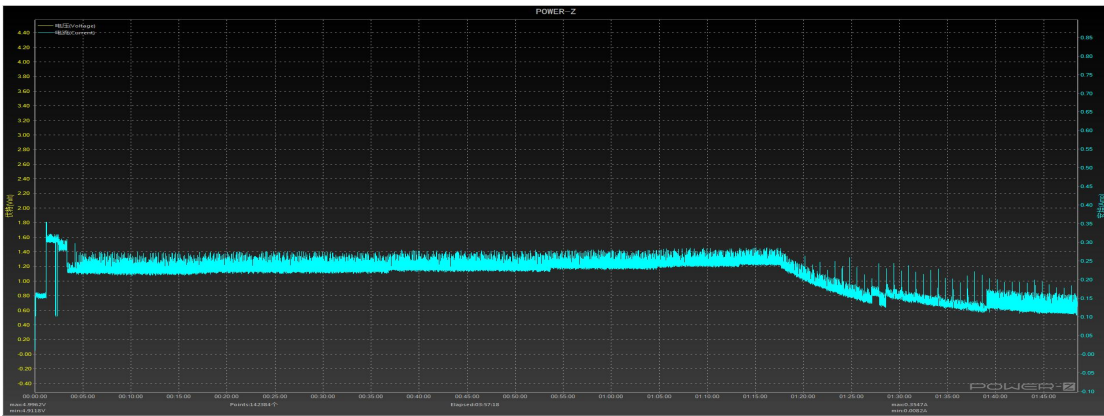
PCBA

充电曲线图如下：

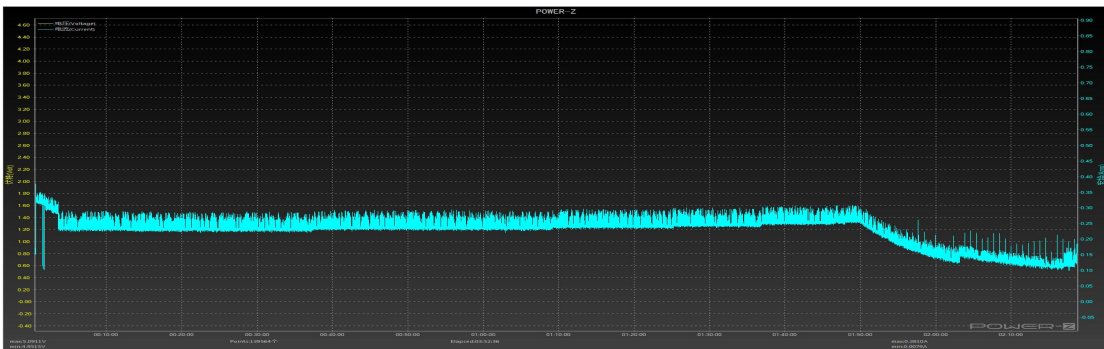
The charging curve is as follows:



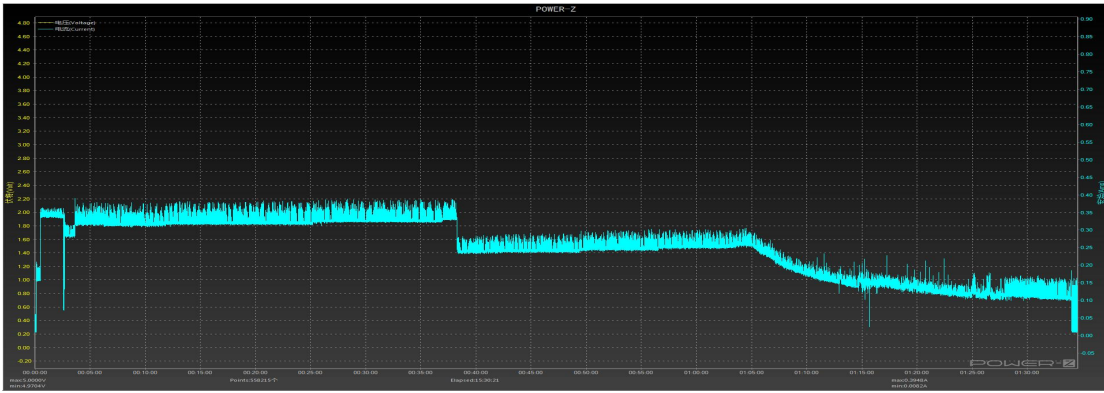
SM_870



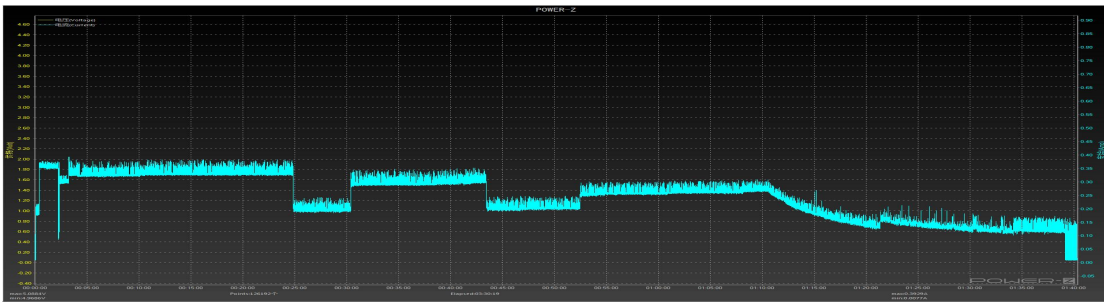
SM-R835U



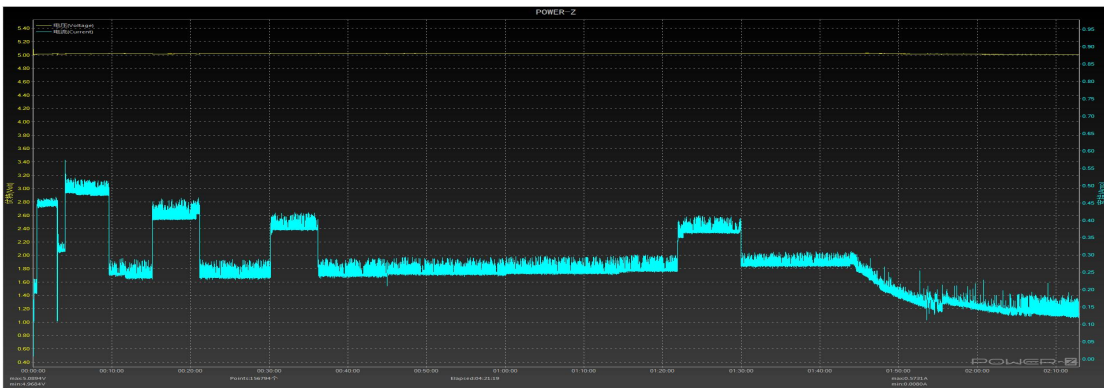
SM-R840



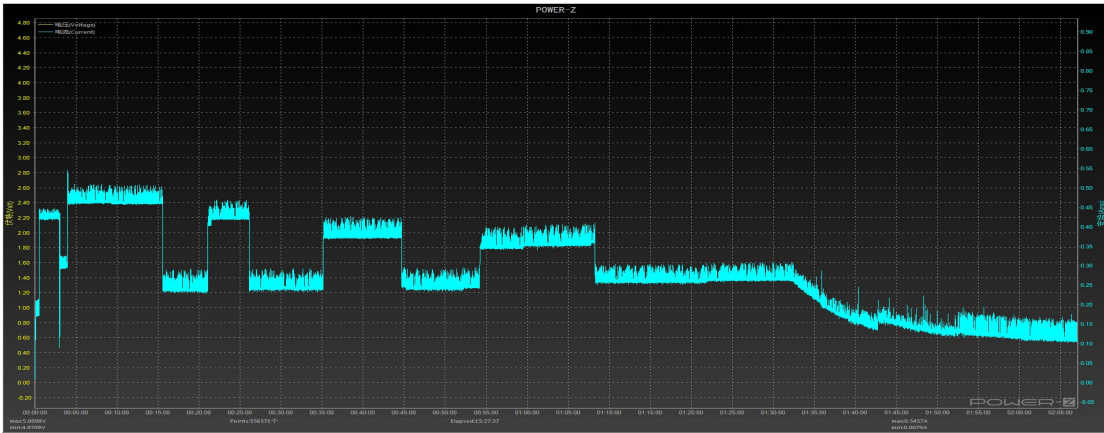
SM-R860



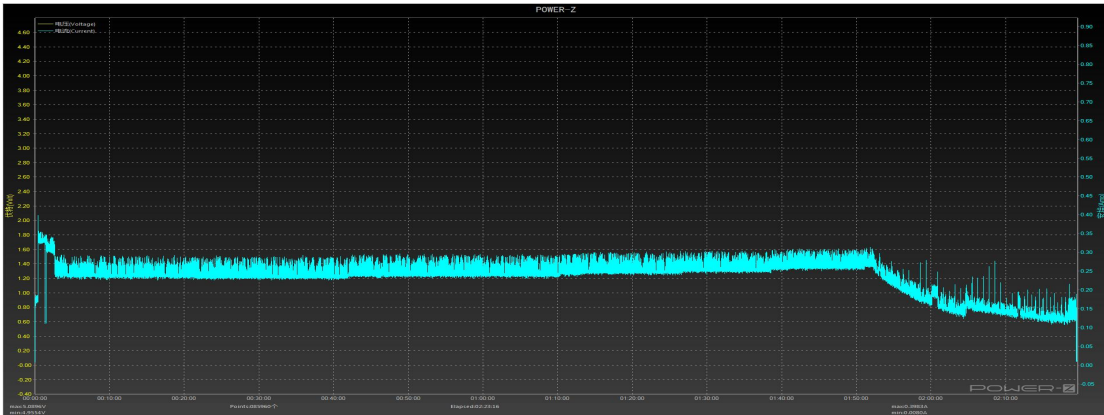
SM-880



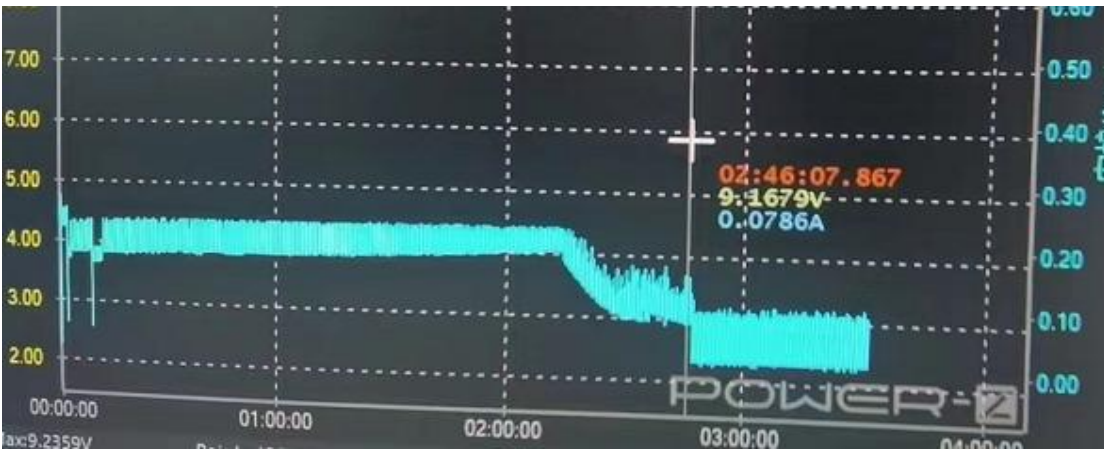
SM-890



SM-R8950



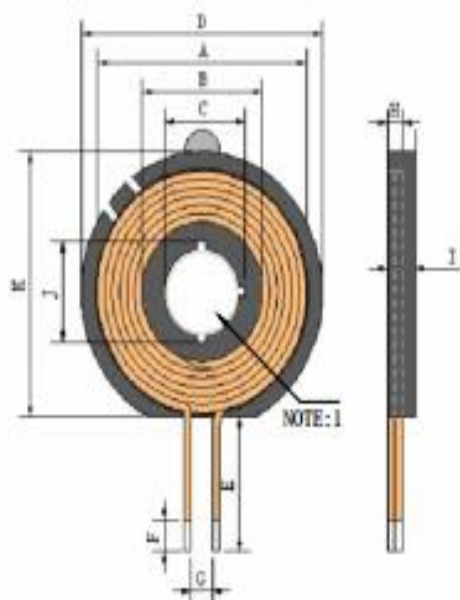
SM-STD-810G



SM_WATCH 5—R920

CUSTOMER:	KFT-107	VERSION:	A1
CUSTOMER NO:	107-27X8.1-0.06X65PX15TS-10uH-13mm-01	PAGE:	3/4
KFT P/N:	30800006-10.1uH	Date:	2022/08/24

1. CONFIGURATION&DIMENSIONS :



A	23.5±1.0mm
B	13.3±0.5mm
C	9.0±0.5mm
D	27.0±0.5mm
E	13.0±2.0mm
F	2~5mm
G	6.0ref
H	1.5±0.2mm
I	3.6MAX(含背胶)
J	9.9±0.5mm
K	26±0.5mm

注:

1. 中间强磁:7.5X2.3≥3200GS
2. 铁氧体磁片:27X8.1X2.8(外径X内径X高度)
3. 产品背贴带孔及手撕位双面胶.

2. ELECTRICAL CHARACTER:

项目 project	规格 specification	测试条件 test condition	测试仪器 test instrument
电感量 (Ls)	5.6uH±10%	100KHZ/1.0V	CH1062
电感量 (Ls)	10uH±10%	100KHZ/1.0V	CH1062
电感量 (RDC)	113mΩ MAX	25℃	HG2512

3. SCHEMATIC



4. PART NUMBERING:PRODUCT IDENTIFICATION

65	27X8.1	0.06X65PX15TS	13mm	10uH	01	
						Serial number
						Inductance
						Line Length
						Wire Diameter
						Magnetic Sheet Specification
						Customer number

CUSTOMER:	KFT-107	VERSION:	A1
CUSTOMER NO:	107-27X8.1-0.06X65PX15TS-10uH-13mm-01	PAGE:	4/4
KFT P/N:	30800006-10.1uH	Date:	2022/08/24

5. MATERIAL LIST:

NO	ITEM	DESCRIPTION	RATING	SUPPLIERS	UL NO.	REMARK
1	WIRE	丝包线 silk-covered wire	155℃	SHANTOU SHENGANG ELECTRICAL INDUSTRIAL CO.,LTD	E239508	
2	SOLDER	99.3/0.7		SHENZHEN Hong Xing Wei solder Limited		
3	CORE	27/8.1/2.8		Changxing BO Cheng Electronics CO.,LTD		
4	EPOXY	1603HFR-HS		DONGBU FINE CHEMICAL CO LTD		

6. GENERAL SPECIFICATION:

- 1 Tested at 1.0KHZ/0.25Vrms, 0 Adc.
Average current for 40℃ temperature rise from 25℃.
- 2 Saturation current (Isat):
Inductance drop: 10% typ at Isat.
- 3 Heat rating current (Irms):
 $L @ Irms = \Delta T \leq 40^{\circ}C$.
- 4 Electrical specifications at 25℃
- 5 Storage Temp: -40℃....+85℃
- 6 Operating Temp: -40℃....+85℃