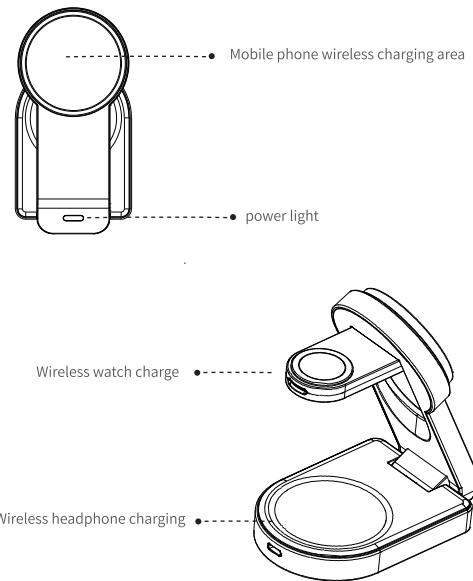




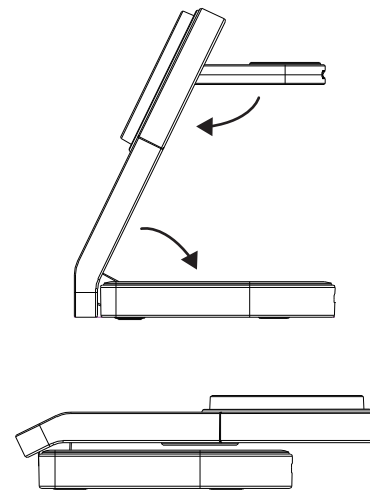
Foldable 3-in-1 wireless charger

Manual Model: B-23

Product appearance



Foldable Operating Instructions



Instructions for use

1. Please connect this wireless charger to the 5V/3A, 9V/3A adapter through the Type-c fast charging cable and connect the source
2. Put the phone in the mobile phone charging area and the mobile phone can be charged
3. Place the watch in the watch charging area to charge the watch
4. Put the wireless charging Bluetooth earphone box in the earphone charging area to charge the earphone

LED status

Indicator description: The charging blue light and green light are on for 3 seconds to turn off the lamp, the charging mobile phone is on green for 20 seconds to turn off the lamp, and the charging headset is on blue light for 20 seconds to turn off the lamp

Notice!

in order to ensure the safe and efficient charging of the three devices at the same time, it is recommended to use adapters and fast charging cables above 9V/2A or 9V/3A. (If the adapter is lower than 5V/2A, this charger will have a problem of stopping charging)

Precautions

Can only be used indoors or in a dry environment, avoid placing in high temperature, humidity, strong static electricity and strong magnetic field environment or use:

For your safety, please do not use wet hands to plug and unplug electrical appliances; Keep out of reach of infants and children; Do not use the product if it is contaminated with water or dirt. Non-professional personnel do not open the repair without authorization.

Product parameters

Model: B-23
 Input: 9V=2A, 12V=2A
 Mobile phone output: 15W Max
 Headphone output: 5W
 Watch output: 2W
 Material: ABS+PC
 Color: black and white

Packing list

Wireless charging stand	x 1
TYPE-C Charging Cable	x 1
Manual	x 1

FCC Warning

This device complies with part 15 of the FCC Rules. Operation is subject to the following two conditions: (1) This device may not cause harmful interference, and (2) this device must accept any interference received, including interference that may cause undesired operation.

Any Changes or modifications not expressly approved by the party responsible for compliance could void the user's authority to operate the equipment.

Note: This equipment has been tested and found to comply with the limits for a Class B digital device, pursuant to part 15 of the FCC Rules. These limits are designed to provide reasonable protection against harmful interference in a residential installation. This equipment generates uses and can radiate radio frequency energy and, if not installed and used in accordance with the instructions, may cause harmful interference to radio communications. However, there is no guarantee that interference will not occur in a particular installation. If this equipment does cause harmful interference to radio or television reception, which can be determined by turning the equipment off and on, the user is encouraged to try to correct the interference by one or more of the following measures:

- Reorient or relocate the receiving antenna.
- Increase the separation between the equipment and receiver.
- Connect the equipment into an outlet on a circuit different from that to which the receiver is connected.
- Consult the dealer or an experienced radio/TV technician for help.

The equipment complies with FCC radiation exposure limits set forth for an uncontrolled environment. During the operation of device a distance of 15 cm surrounding the device and 20 cm above the top surface of the device must be respected.