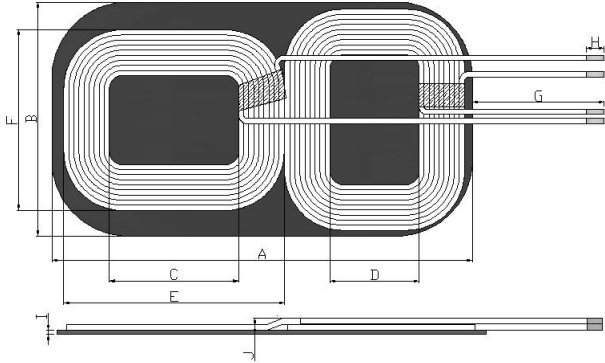


Manufacturer: Dongguan Boxinda Electronic Technology Co., LTD

Model: B-19

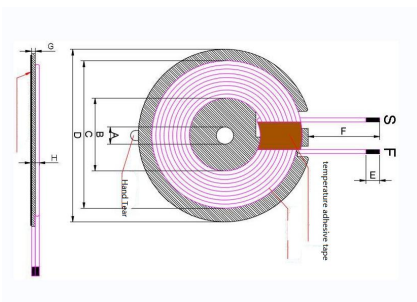
Unit: MM

Coil Antenna1



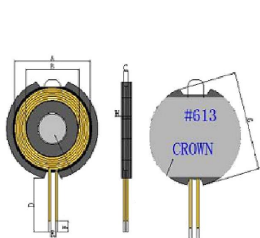
A	B	C	D	E	F	G	H	I	J
85±0.5	46±0.5	25.5±0.5	17±0.5	47±0.5	39±0.5	90/75±2	3±1	0.75±0.05	3.4±0.05

Coil Antenna2



A	B	C	D	E	F	G	H
5.3±0.5	20.5±0.5	43.5±1	50±1	4MAX	31±2	1.0±0.2	2.9MAX

Coil Antenna3



A	20.9±1.0mm
B	14.9±0.5mm
C	1.1±0.2mm
D	12.0±1.5mm
E	3.0ref
F	2~4mm
G	24.5±1.0mm
H	2.8MAX