

# 3 in 1 Wireless Charger User Guide

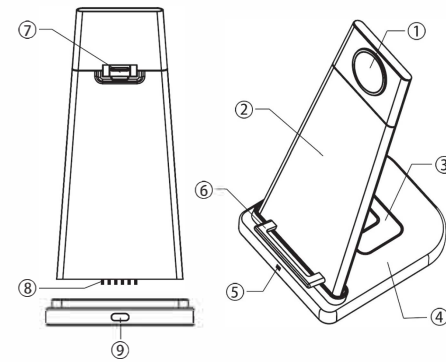
## Features of Product:

- ① **3 in 1 Wireless Charger :**
  - 5W-7.5W-10W-15W iPhone wireless charger, it's compatible with iPhone and Android phone.
  - Wireless charger for airpods.
  - Wireless charger for apple watch.
- ② **Detachable Charging Pad:** The wireless charging pad can be removed from the base.
- ③ **Foldable Charger for Watch:** The wireless charger for watch can be folded backward while charging.
- ④ **Compact Design:** Small size, easy to use and carry.
- ⑤ **Suitable for Use:** Travel, home, hotel, office, restaurant, bar, etc.

## Specifications:

Model	YM-UD21
Input Voltage/Current	DC 9V-2A DC 12V 2A
Wireless Output for Phone	5W / 7.5W / 10W /15W Max.
Wireless Output for Airpod	5W Max.
Wireless Output for iWatch	2W Max.
Material	ABS+PC Fireproof Material
USB Cable Length	120cm
Product Sizes	L99*W68*H148mm
Net Weight	155g
Color	White /Black /Silver /Gray / Rose-Gold...

## Product Diagram:



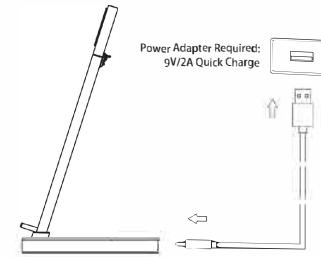
- ①. Wireless Charger for iWatch
- ②. Wireless Charger for Mobile Phone
- ③. Wireless Charger for Airpod
- ④. Charger Base
- ⑤. LED Power Indicator
- ⑥. Phone Holder
- ⑦. Folding clip
- ⑧. Input Interface
- ⑨. Input Interface

## Instructions:

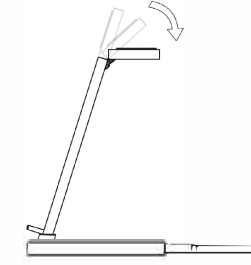
1. Install the wireless charger on the charger base.



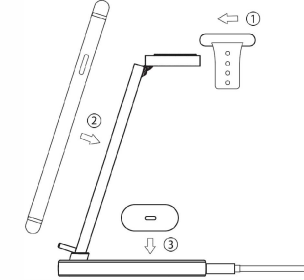
2. Connect YM-UD21 to power adapter by USB ( or Type-C) cable.  
※ Quick charge 9V/2A (18W min.)QC or PD power adapter is required.



3. Fold the watch charger backward.



4. Charge your Devices.



- ① Charge your watch
- ② Charge your phone
- ③ Charge your Earphone

## Safety Tips:

Please adhere to these basic precautions while using this product, as follows:

1. Read all the instructions before use.
2. Never store or use this product in temperatures below 32°F (0°C) or above 86°F (30°C).
3. Do not expose the device to fire or excessive temperature. Exposure to fire or excessive temperatures may cause an explosion.
4. Do not expose the device to moisture.
5. Keep away from water or other liquids which may lead to short circuit while using the product.
6. Close supervision is necessary when the product is used near children.
7. Do not use this wireless charger if damaged or modified.
8. Do not disassemble the device. Seek a qualified service professional if it requires repair. Incorrect reassembly may result in risk of fire or injury.
9. Ensure that qualified service professionals use only identical replacement parts to ensure product safety.
10. Accessories placed on the back of your smart phone can impede the effectiveness of the wireless charger, and lead to overheating. Please remove accessories from the phone before attempting wireless charging.
11. Remove your phone /watch /earphone when it is fully charged. Please unplug the power adapter when your devices are fully charged.

CE RoHS  
Made in China

## FCC Information

This device complies with Part 15 of the FCC rules.

Operation is subject to the following two conditions:

- 1) this device may not cause harmful interference, and
- 2) this device must accept any interference received, including interference that may cause undesired operation.

Note: This equipment has been tested and found to comply with the limits for a Class B digital device, pursuant to part 15 of the FCC Rules. These limits are designed to provide reasonable protection against harmful interference in a residential installation.

This equipment generates uses and can radiate radio frequency energy and, if not installed and used in accordance with the instructions, may cause harmful interference to radio communications. However, there is no guarantee that interference will not occur in particular installation. If this equipment does cause harmful interference to radio or television reception, which can be determined by turning the equipment off and on, the user is encouraged to try to correct the interference by one or more of the following measures:

- Reorient or relocate the receiving antenna.
- Increase the separation between the equipment and receiver.
- Connect the equipment into an outlet on a circuit different from that to which the receiver is connected.

—Consult the dealer or an experienced radio/TV technician for help. Changes or modifications not expressly approved by the party responsible for compliance could void the user's authority to operate the equipment.

## Radiation Exposure Statement

This device complies with FCC RF radiation exposure limits set forth for an uncontrolled environment. This transmitter must not be co-located or operating in conjunction with any other antenna or transmitter. During the operation of device a distance of 15 cm surrounding the device and 20 cm above the top surface of the device must be respected.